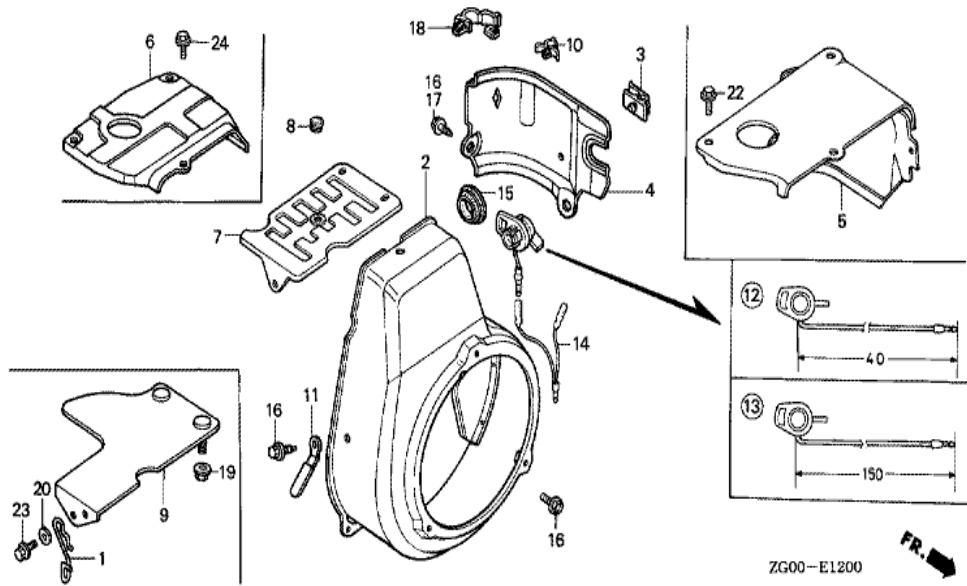
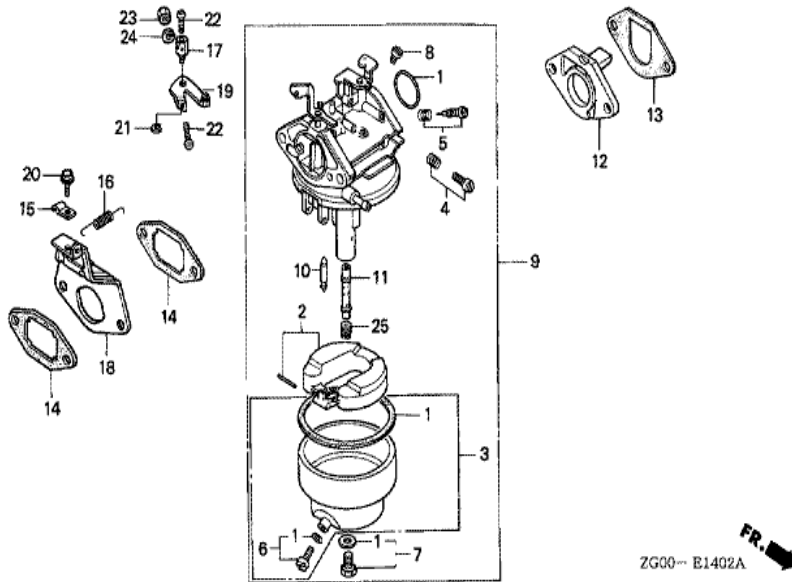


Ref	Partnumber	Description	G100	Serial Numbers
001	28400-896-950	STARTER ASSY., RECOIL	1	
003	28410-896-950	CASE COMP., STARTER	1	
006	28420-896-010	PULLEY, RECOIL STARTER	1	
007	28422-896-010	RATCHET, STARTER	1	
008	28431-896-000	PLATE, FRICTION	1	
009	28441-896-000	SPRING, FRICTION	1	
010	28442-896-000	SPRING, RECOIL STARTER	1	
011	28443-896-000	SPRING, RETURN	1	
012	28461-896-701	GRIP, STARTER	1	
013	28462-896-950	ROPE, RECOIL STARTER	1	
015	90011-896-000	BOLT, FLANGE, 6X8	2	
016	92000-060120H	BOLT, HEX., 6X12	1	

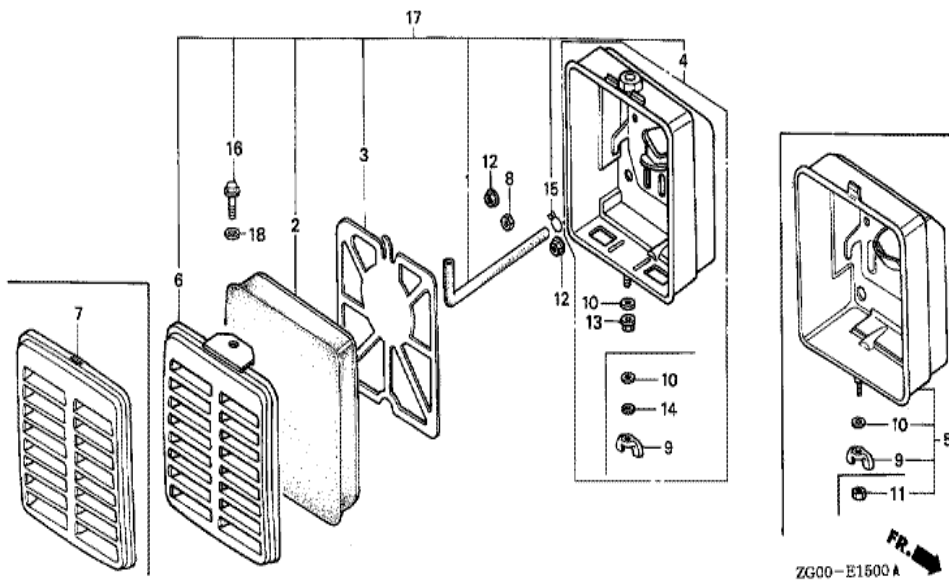


Ref	Partnumber	Description	G100	Serial Numbers
002	19610-896-000XC	COVER COMP., FAN	1	
004	19631-896-000	SHROUD	1	
007	19641-896-000	COVER, TOP	1	
008	19643-883-010	GROMMET, TOP COVER	1	
013	36100-896-601	SWITCH ASSY., ENGINE STOP	(1)	
016	95700-0601208	BOLT, FLANGE, 6X12	2	
017	90013-883-000	BOLT, FLANGE, 6X12 (CT200)	1	

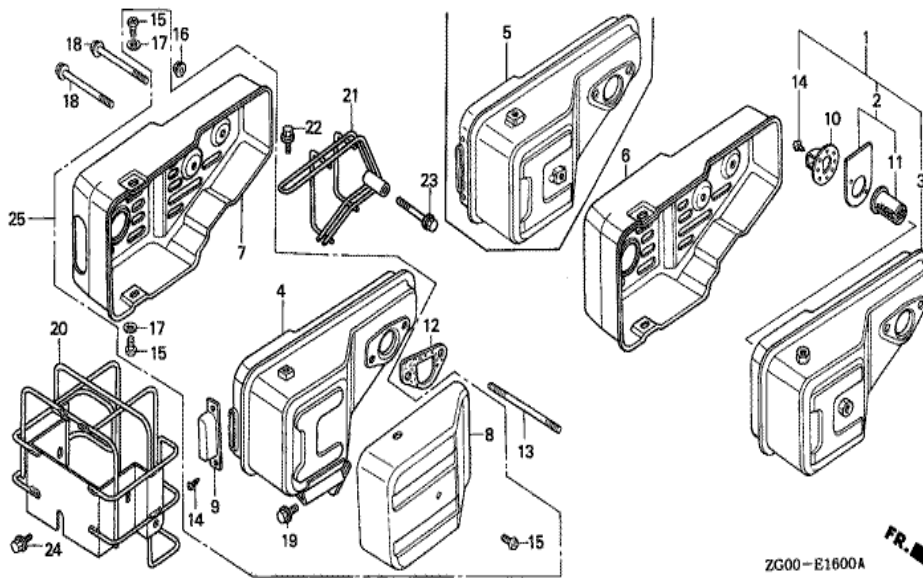


ZG00- E1402A

<u>Ref</u>	<u>Partnumber</u>	<u>Description</u>	<u>G100</u>	<u>Serial Numbers</u>
001	16010-896-751	PACKING SET	1	
002	16013-883-005	FLOAT SET	1	
003	16015-896-005	CHAMBER SET, FLOAT	1	
004	16016-883-005	SCREW SET A	1	
004	16016-896-005	SCREW SET A	1	
005	16016-892-005	SCREW SET A	1	
006	16024-890-731	SCREW SET, DRAIN	1	
007	16028-883-005	SCREW SET B	1	
008	16071-881-003	SCREW, PLUG	1	
009	16100-896-951	CARBURETOR ASSY. (BB44A A)	1	
010	16155-883-005	VALVE COMP., FLOAT	1	
011	16166-896-005	NOZZLE, MAIN	1	
012	16211-896-000	INSULATOR, CARBURETOR	1	
<u>Ref</u>	<u>Partnumber</u>	<u>Description</u>	<u>G100</u>	<u>Serial Numbers</u>
012	16211-896-306	INSULATOR, CARBURETOR	(1)	
013	16212-896-000	GASKET, INSULATOR	1	
014	16269-892-000	PACKING, AIR CLEANER	2	
015	16582-883-300	HOLDER, CONTROL CABLE	1	
016	16592-883-310	SPRING, CABLE RETURN	1	
017	16594-883-000	HOLDER, WIRE	1	
018	16612-896-950	STAY, CHOKE CONTROL	1	
019	16615-896-950	LEVER, CHOKE	1	
020	90002-892-000	BOLT, FLANGE, 5X10	1	
021	90605-230-000	CIRCLIP, 5MM	1	
022	93500-040080A	SCREW, PAN, 4X8	2	
023	94001-040000S	NUT, HEX., 4MM	1	
024	94111-04000	WASHER, SPRING, 4MM	1	
025	99101-1240450	JET, MAIN, #45	(1)	
025	99101-1240480	JET, MAIN, #48	(1)	
025	99101-1240500	JET, MAIN, #50	(1)	
025	99101-1240520	JET, MAIN, #52	(1)	
025	99101-1240550	JET, MAIN, #55	1	



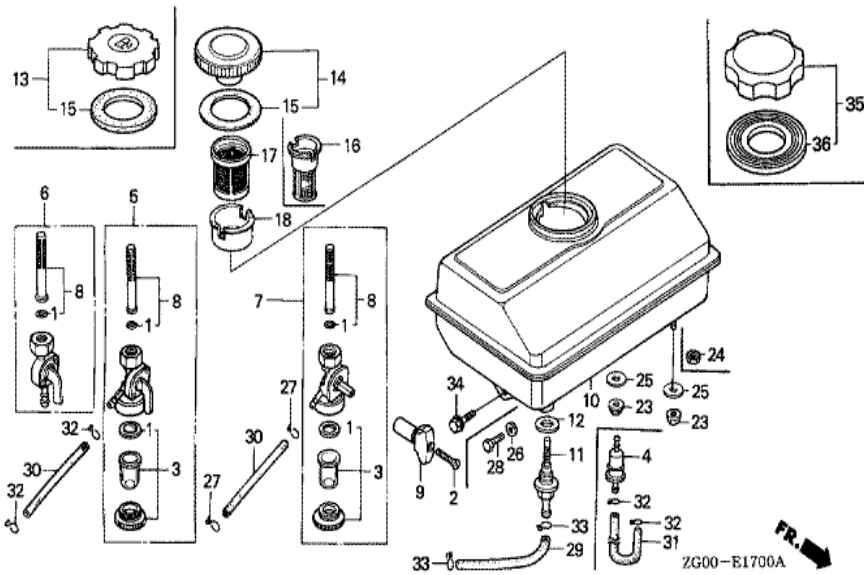
Ref	Partnumber	Description	G100	Serial Numbers
001	15721-896-010	TUBE, BREATHER	1	
002	17211-896-950	ELEMENT, AIR CLEANER	1	
003	17212-896-000	GRID, AIR CLEANER	1	
005	17220-896-000	CASE COMP., AIR CLEANER	1	
007	17231-896-000	COVER, AIR CLEANER	1	
009	90325-044-000	NUT, TOOL BOX SETTING	1	
010	94101-06000	WASHER, PLAIN, 6MM	1	3104275
012	94050-05080	NUT, FLANGE, 5MM	2	



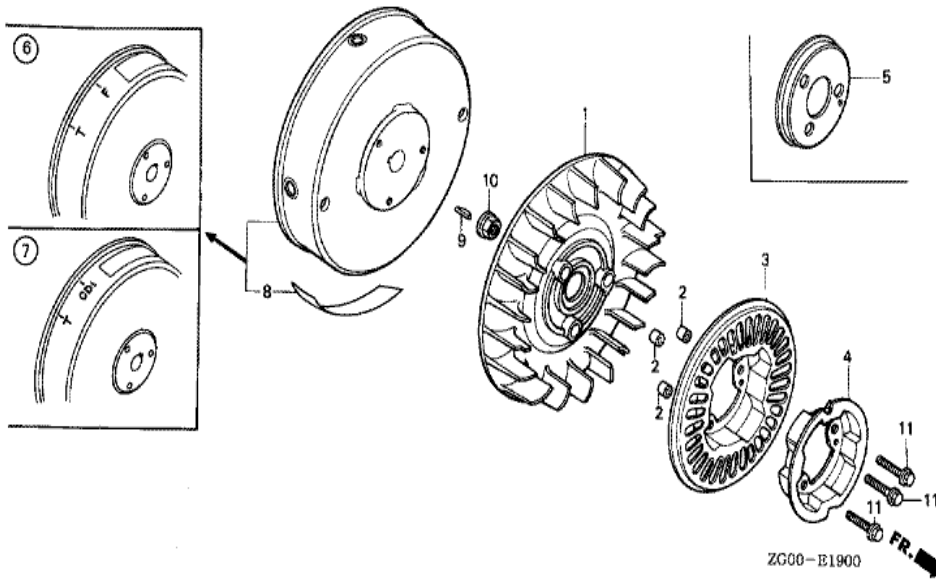
ZG00-E1600A



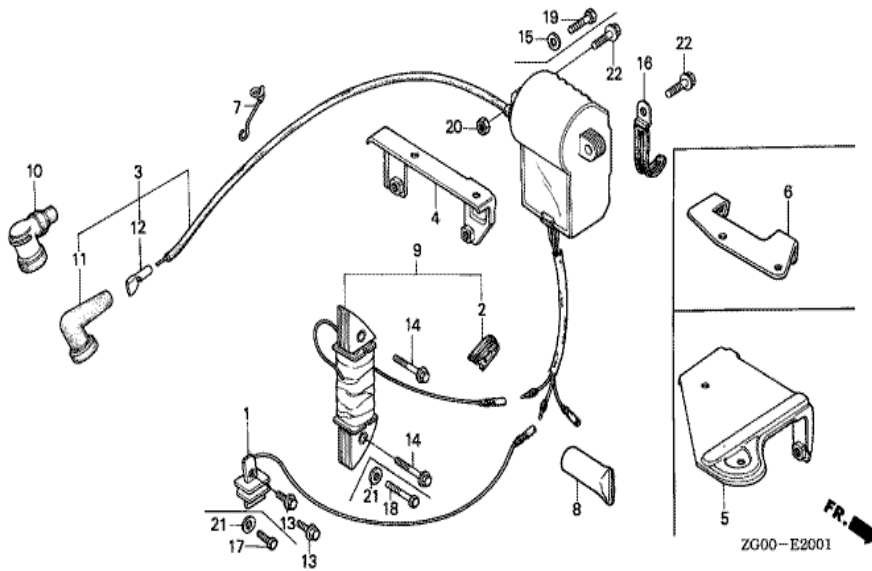
Ref	Partnumber	Description	G100	Serial Numbers
005	18310-896-000	MUFFLER COMP. (WITH PROTECTOR)	1	
007	18320-896-000	PROTECTOR, MUFFLER	(1)	
008	18321-896-000	SEPARATOR, MUFFLER	(1)	
009	18331-896-000	DEFLECTOR, MUFFLER	1	3103518
012	18381-896-000	GASKET, MUFFLER	1	
014	90183-671-003	SCREW, TAPPING, 4X8	2	1081364
015	93500-060060B	SCREW, PAN, 6X6	3	
017	94101-06000	WASHER, PLAIN, 6MM	(3)	
018	95700-0604008	BOLT, FLANGE, 6X40	2	



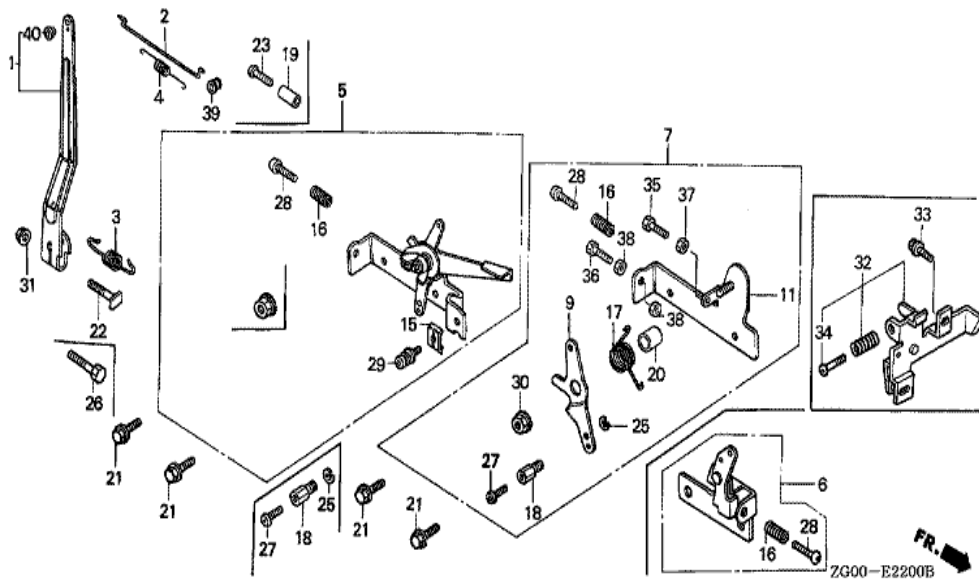
Ref	Partnumber	Description	G100	Serial Numbers
001	16080-883-005	PACKING SET, COCK	(1)	
003	16081-883-015	CUP SET, FUEL STRAINER	(1)	
005	16950-883-025	COCK ASSY., FUEL	(1)	
008	16952-883-005	SCREEN SET	(1)	
010	17510-896-000	TANK COMP., FUEL	1	
014	17620-890-000	CAP COMP., FUEL FILLER	1	
015	17631-329-000	PACKING, FUEL FILLER CAP	1	2172182
017	17672-880-000	FILTER, FUEL	1	2415505
018	17673-893-000	HOLDER, FUEL FILTER	1	2415505
023	94050-06000	NUT, FLANGE, 6MM	2	
030	95001-4506740	TUBE, FUEL, 4.5X67 (95001-45001-60M)	1	
032	95002-02080	CLIP, TUBE (B8)	2	
034	95700-0601408	BOLT, FLANGE, 6X14	1	



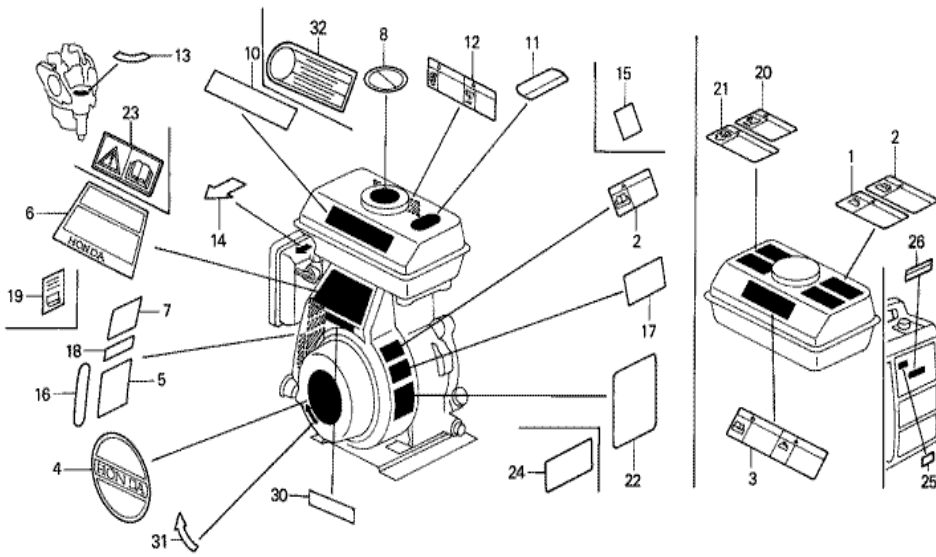
Ref	Partnumber	Description	G100	Serial Numbers
001	19511-896-000	FAN, COOLING	1	
002	19512-896-000	COLLAR, FAN	3	
004	28453-896-003	PULLEY, STARTER	1	
005	28457-896-950	PLATE, STARTER PULLEY	1	
007	31100-896-601	FLYWHEEL COMP. (C.D.I.)	(1)	
008	87541-896-000	MARK, FLYWHEEL CAUTION	(1)	
009	90741-147-000	KEY, WOODRUFF	1	
010	94050-12080	NUT, FLANGE, 12MM	1	
011	95800-0602208	BOLT, FLANGE, 6X22	3	



<u>Ref</u>	<u>Partnumber</u>	<u>Description</u>	<u>G100</u>	<u>Serial Numbers</u>
001	30410-896-601	COIL, PULSER	(1)	1051338
001	30410-896-602	COIL, PULSER	1	1051339
002	30563-896-600	GROMMET, CORD	(1)	1051338
002	30563-896-601	GROMMET, CORD	(1)	1051339
003	30580-896-601	C.D.I. UNIT	(1)	
004	30586-896-600	STAY, C.D.I. UNIT	(1)	
007	30588-883-000	CLAMP, HIGH TENSION TUBE	(1)	
008	30589-896-600	COVER, TERMINAL	(1)	
009	30590-896-601	COIL, EXCITER	(1)	1051338
009	30590-896-602	COIL, EXCITER	1	1051339
011	30701-888-004	CAP, HIGH TENSION (TOYO)	(1)	
011	30701-888-013	CAP, HIGH TENSION (SUMITOMO)	(1)	
012	30702-888-003	TERMINAL, PLUG	(1)	
<u>Ref</u>	<u>Partnumber</u>	<u>Description</u>	<u>G100</u>	<u>Serial Numbers</u>
013	90007-892-000	BOLT, FLANGE, 5X12	(2)	
014	90007-896-000	BOLT, FLANGE, 5X25	(2)	
016	91405-671-000	CLIP, WIRE	(1)	
022	95700-0602008	BOLT, FLANGE, 6X20	(2)	

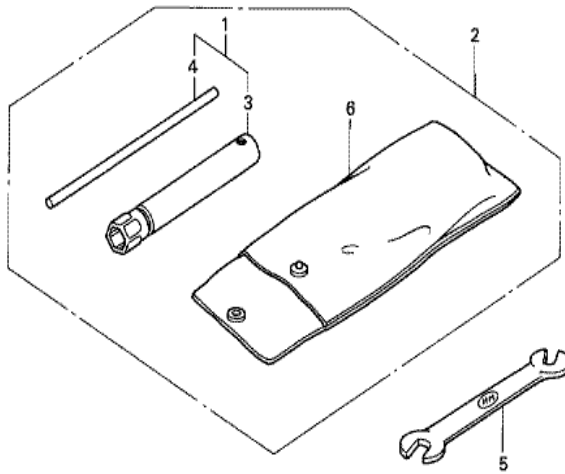


<u>Ref</u>	<u>Partnumber</u>	<u>Description</u>	<u>G100</u>	<u>Serial Numbers</u>
001	16551-896-000	ARM, GOVERNOR	1	
002	16555-896-000	ROD, GOVERNOR	1	
003	16561-896-000	SPRING, GOVERNOR	1	
004	16562-896-000	SPRING, THROTTLE RETURN	1	
007	16570-896-610	CONTROL ASSY.	1	1443595
007	16570-ZG0-810	CONTROL ASSY. (REMOTE)	(1)	1443596
009	16571-896-610	LEVER, CONTROL	(1)	1315408 1443595
009	16571-ZG0-810	LEVER, CONTROL (REMOTE)	1	1443596
011	16572-896-610	BASE COMP., CONTROL	1	1443595
011	16572-ZG0-810	BASE COMP., CONTROL (REMOTE)	(1)	
016	16584-883-300	SPRING, CONTROL ADJUSTING	1	3107357
017	16592-896-610	SPRING, RETURN	(1)	
018	16594-883-010	HOLDER, WIRE	1	3266028
<u>Ref</u>	<u>Partnumber</u>	<u>Description</u>	<u>G100</u>	<u>Serial Numbers</u>
020	84705-310-000	COLLAR, RR. FENDER	(1)	1315408 1443595
020	91552-ZG0-810	COLLAR, CONTROL LEVER	1	1443596
021	95700-0601208	BOLT, FLANGE, 6X12	2	
022	90015-ZE5-010	BOLT, GOVERNOR ARM	1	
025	90605-230-000	CIRCLIP, 5MM	1	3266028
027	93500-040080A	SCREW, PAN, 4X8	1	2143546
028	93500-050200A	SCREW, PAN, 5X20	(1)	2206176
028	93500-050250A	SCREW, PAN, 5X25	1	2208913
030	94050-06000	NUT, FLANGE, 6MM	1	3266028
031	94050-06000	NUT, FLANGE, 6MM	1	1955482



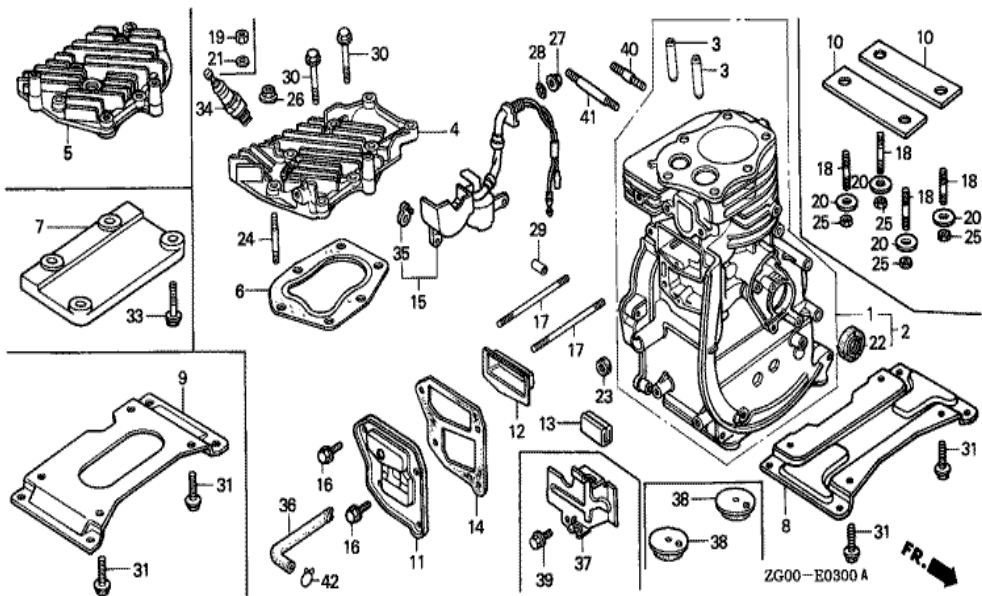
ZG00-E2800

Ref	Partnumber	Description	G100	Serial Numbers
006	87521-896-600	EMBLEM (C.D.I.) (JAPANESE)	(1)	
010	87522-836-020	MARK A, CAUTION (JAPANESE)	(1)	
011	87525-878-000	MARK C, CAUTION	(1)	
022	87594-883-600	MARK, OIL CAUTION (JAPANESE)	(1)	

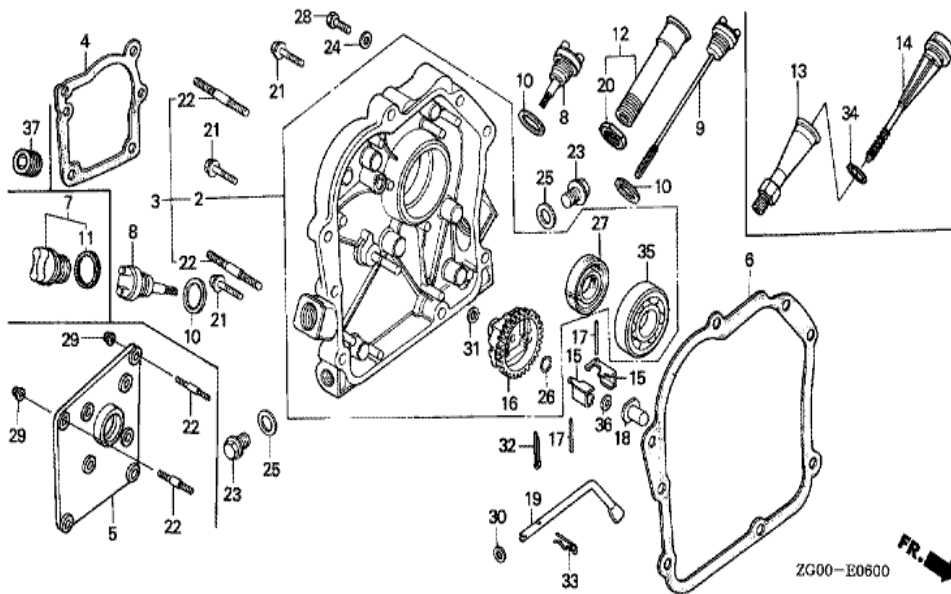


ZG00-E2900

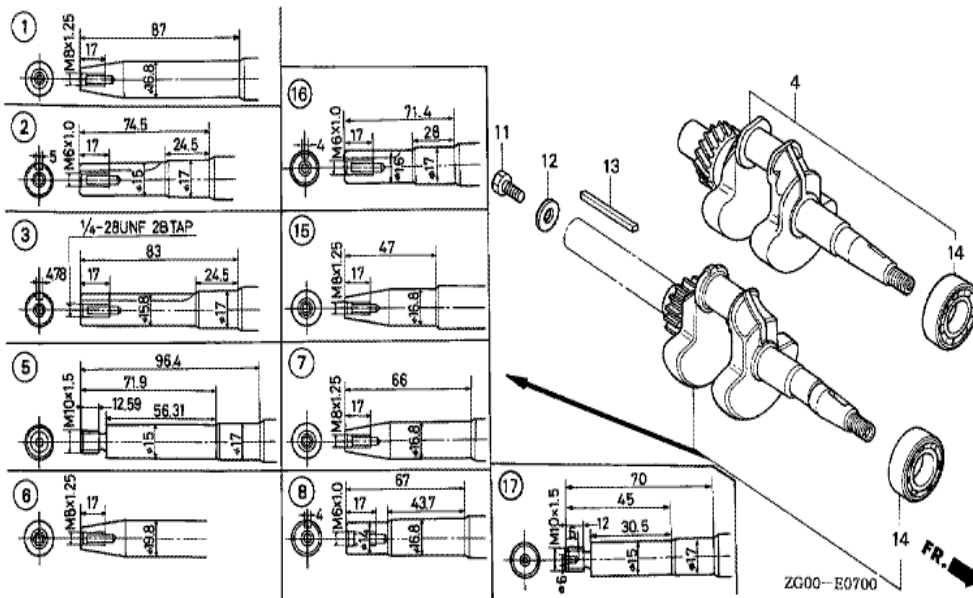
Ref	Partnumber	Description	G100	Serial Numbers
003	89216-888-000	WRENCH, SPARK PLUG	1	3358410
004	89219-805-000	HANDLE, BOX WRENCH	(1)	



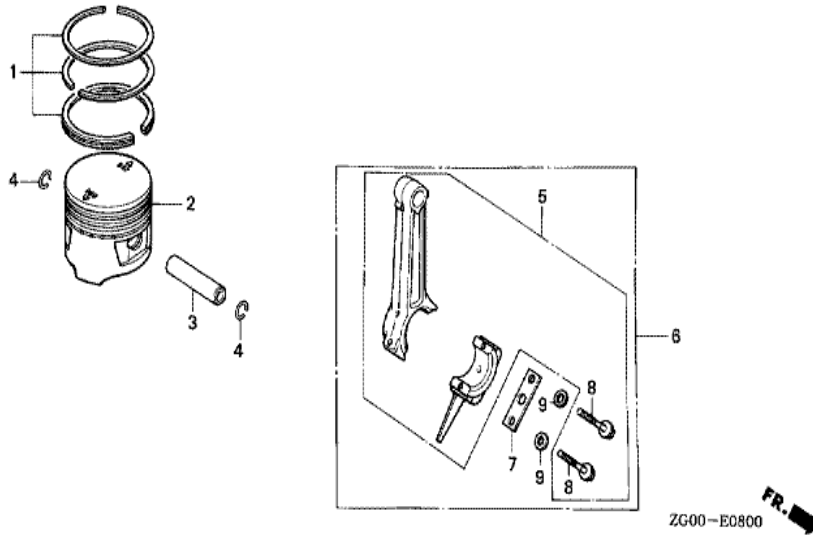
<u>Ref</u>	<u>Partnumber</u>	<u>Description</u>	<u>G100</u>	<u>Serial Numbers</u>
001	12100-896-315	BARREL COMP., CYLINDER	1	
003	12133-896-306	GUIDE, VALVE (O.S.)	(2)	
004	12221-896-000	HEAD, CYLINDER	1	
006	12281-896-000	GASKET, CYLINDER HEAD	1	
011	12361-896-000	COVER, TAPPET ROOM	1	
012	12370-896-000	SEPARATOR COMP., INNER	1	
014	12375-896-000	GASKET, TAPPET COVER	1	
016	90002-892-000	BOLT, FLANGE, 5X10	4	
017	90041-896-000	BOLT, STUD, 5X80	2	3047225
022	91202-892-003	OIL SEAL, 17X30X6 (ARAI)	1	
022	91202-892-004	OIL SEAL, 17X30X6 (NOK)	1	
023	91231-816-000	OIL SEAL, 5X10X4	1	
024	92700-060453B	BOLT, STUD, 6X45	2	
<u>Ref</u>	<u>Partnumber</u>	<u>Description</u>	<u>G100</u>	<u>Serial Numbers</u>
026	94050-06080	NUT, FLANGE, 6MM	2	
029	94301-08140	DOWEL PIN, 8X14	2	
030	95700-0603508	BOLT, FLANGE, 6X35	4	1001095
030	95718-0603508	BOLT, FLANGE, 6X35	4	1001096
034	98073-54941	PLUG, SPARK (BPM4A-10) (NGK)	(1)	
034	98073-54951	PLUG, SPARK (W14MPU-10) (DENSO)	(1)	



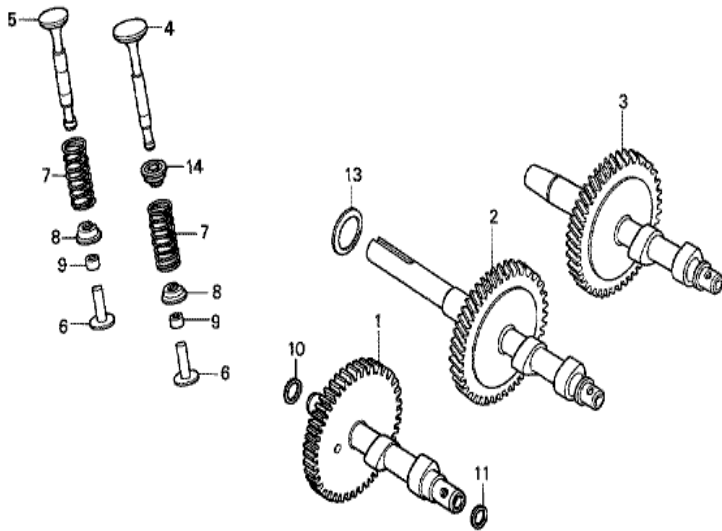
<u>Ref</u>	<u>Partnumber</u>	<u>Description</u>	<u>G100</u>	<u>Serial Numbers</u>
002	11300-896-620	COVER ASSY., CRANKCASE	1	
006	11381-896-000	GASKET, CASE COVER	1	
008	15620-896-000	CAP, OIL FILLER	(2)	
010	15621-896-010	PACKING, OIL FILLER CAP	(2)	
013	15640-730-000	PIPE, OIL FILLER	1	
014	15650-730-000	GAUGE, OIL LEVEL	1	
015	16511-896-000	WEIGHT, GOVERNOR	2	
016	16512-896-300	HOLDER, GOVERNOR WEIGHT	1	1443595
017	16513-ZE1-000	PIN, GOVERNOR WEIGHT	2	
018	16531-896-000	SLIDER, GOVERNOR	1	1443595
019	16541-896-000	SHAFT, GOVERNOR ARM	1	
021	95700-0602808	BOLT, FLANGE, 6X28	6	
023	90131-883-000	BOLT, DRAIN PLUG, 12X15	2	
<u>Ref</u>	<u>Partnumber</u>	<u>Description</u>	<u>G100</u>	<u>Serial Numbers</u>
025	94109-12000	WASHER, DRAIN PLUG, 12MM	2	
026	90602-ZE1-000	CLIP, GOVERNOR HOLDER	1	
027	91202-892-004	OIL SEAL, 17X30X6 (NOK)	1	
030	94101-05800	WASHER, PLAIN, 5MM	1	
031	94101-06800	WASHER, PLAIN, 6MM	1	
032	94201-25280	PIN, SPLIT, 2.5X28	2	1443595
033	94251-08000	PIN, LOCK, 8MM	1	
034	94608-50000	O-RING, 23X2.8	1	
035	96100-6203000	BEARING, RADIAL BALL, 6203	1	



Ref	Partnumber	Description	G100	Serial Numbers
002	13310-896-000	CRANKSHAFT COMP.	1	
013	90741-883-810	KEY, 5X5X33 (YELLOW)	1	2335492
013	90746-835-000	KEY, 5X5X33	(1)	
014	96100-6203000	BEARING, RADIAL BALL, 6203	1	



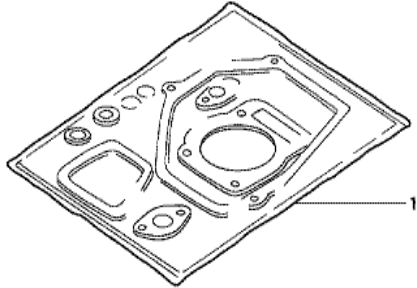
<u>Ref</u>	<u>Partnumber</u>	<u>Description</u>	<u>G100</u>	<u>Serial Numbers</u>
001	130A1-896-003	RING SET, PISTON (STD.) (TEIKOKU)	1	
001	130A1-896-004	RING SET, PISTON (STD.) (NIPPON)	1	
001	130B1-896-003	RING SET, PISTON (0.25) (TEIKOKU)	(1)	
001	130B1-896-004	RING SET, PISTON (0.25) (NIPPON)	(1)	
001	130C1-896-003	RING SET, PISTON (0.50) (TEIKOKU)	(1)	
001	130C1-896-004	RING SET, PISTON (0.50) (NIPPON)	(1)	
001	130D1-896-003	RING SET, PISTON (0.75) (TEIKOKU)	(1)	
001	130D1-896-004	RING SET, PISTON (0.75) (NIPPON)	(1)	
002	13101-892-000	PISTON (STD.)	1	
002	13102-892-000	PISTON (0.25)	(1)	
002	13103-892-000	PISTON (0.50)	(1)	
002	13104-892-000	PISTON (0.75)	(1)	
003	13111-892-000	PIN, PISTON	1	
<u>Ref</u>	<u>Partnumber</u>	<u>Description</u>	<u>G100</u>	<u>Serial Numbers</u>
004	13115-147-000	CLIP, PISTON PIN, 10MM	2	
005	13200-ZG0-000	ROD ASSY., CONNECTING (STD.)	1	1443596
005	13200-ZG0-305	ROD ASSY., CONNECTING (0.25 UNDER SIZE)	(1)	1443596
006	13200-892-000	ROD ASSY., CONNECTING	1	1443595
006	13200-892-305	ROD ASSY., CONNECTING (0.25 UNDER SIZE)	(1)	1443595
007	13213-892-000	WASHER, CONNECTING ROD	1	1443595
008	90001-892-003	BOLT, CONNECTING ROD	2	1443595
008	90001-ZG0-000	BOLT, CONNECTING ROD	2	1443596
009	90456-892-000	WASHER, LOCK	2	1443595



ZG00-E0900



<u>Ref</u>	<u>Partnumber</u>	<u>Description</u>	<u>G100</u>	<u>Serial Numbers</u>
001	14111-896-000	CAMSHAFT COMP.	1	1063118
001	14111-896-010	CAMSHAFT COMP.	1	1063119
004	14711-896-000	VALVE, IN.	1	
005	14721-896-000	VALVE, EX.	1	
006	14732-892-000	LIFTER, VALVE	2	1085262
006	14732-892-010	LIFTER, VALVE	2	1085263
007	14751-896-000	SPRING, VALVE	2	
008	14771-892-000	RETAINER, VALVE SPRING	2	1443595
008	14771-ZG0-000	RETAINER, VALVE SPRING	2	1443596
009	14801-892-000	ADJUSTER, TAPPET CLEARANCE (3.15)	2	
009	14803-892-000	ADJUSTER, TAPPET CLEARANCE (3.25)	2	
009	14806-892-000	ADJUSTER, TAPPET CLEARANCE (3.34)	2	
009	14809-892-000	ADJUSTER, TAPPET CLEARANCE (3.43)	2	
<u>Ref</u>	<u>Partnumber</u>	<u>Description</u>	<u>G100</u>	<u>Serial Numbers</u>
009	14812-892-000	ADJUSTER, TAPPET CLEARANCE (3.52)	2	
009	14815-892-000	ADJUSTER, TAPPET CLEARANCE (3.61)	2	
009	14818-892-000	ADJUSTER, TAPPET CLEARANCE (3.72)	2	
009	14820-892-000	ADJUSTER, TAPPET CLEARANCE (3.82)	2	
010	90412-329-000	WASHER, THRUST, 10MM	1	1033289
011	90452-892-000	WASHER, THRUST, 16MM	1	1033289



HENG-X0003

<u>Ref</u>	<u>Partnumber</u>	<u>Description</u>	<u>G100</u>	<u>Serial Numbers</u>
001	06110-896-000	GASKET KIT	1	1061541
001	061A1-896-000	GASKET KIT	1	1061542