

TRU-POWER, INC.

Product Line **GENERAL PURPOSE ENGINE**

Type **QAH**

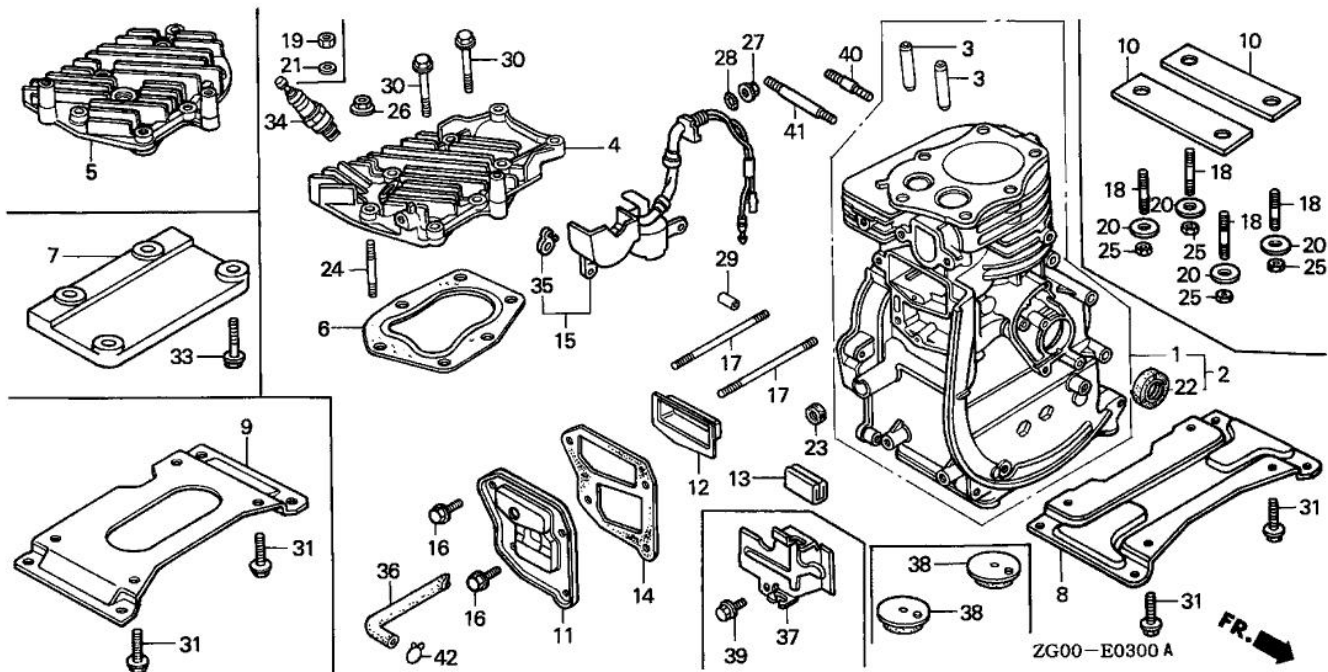
Model Name **G100**

Mfg

Section **ENGINE**

Illustration

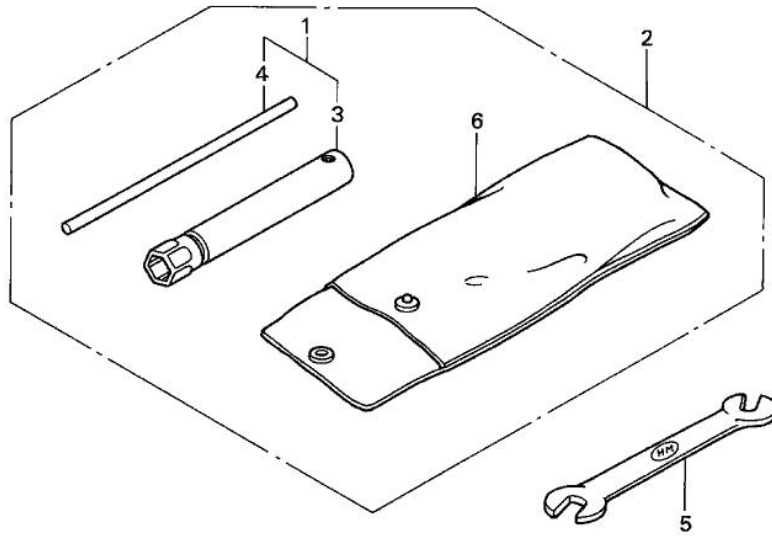
CYLINDER - CYLINDER HEAD



Ref.	Part Number	Part Description	Qty.
001	12100-896-315	CYLINDER (NOT AVAILABLE)	001
003	12133-896-306	GUIDE, VALVE (OVER SIZE)	(2)
004	12221-896-000	CYLINDER HEAD (NOT AVAILABLE)	001
006	12281-896-306	GASKET, CYLINDER HEAD	001
008	12351-ZG0-810	BED, ENGINE (Q-TYPE)	001
009	12351-ZG0-810	BED, ENGINE (Q-TYPE)	001
011	12361-896-000	COVER, TAPPET ROOM (NOT AVAILABLE)	001
012	12370-896-000	SEPARATOR (INNER) (NOT AVAILABLE)	001
014	12375-896-000	GASKET, TAPPET COVER (NOT AVAILABLE)	001
016	90002-892-000	BOLT, FLANGE (5X10)	004
017	90041-896-000	BOLT, STUD (5X80)	002
022	91202-892-004	OIL SEAL (17X30X6) (NOK)	001
023	91231-816-000	OIL SEAL (5X10X4)	001
024	92700-06045-3B	BOLT, STUD (6X45)	002
026	94050-06080	NUT, FLANGE (6MM)	002
029	94301-08140	PIN, DOWEL (8X14)	002
030	95701-06035-08	BOLT, FLANGE (6X35)	004
031	95700-08018-08	BOLT, FLANGE (8X18)	004
031	95701-08018-08	BOLT, FLANGE (8X18)	004
034	98073-54740	SPARK PLUG (BM-4A) (NGK)	(1)
034	98073-54744	SPARK PLUG (BMR-4A) (NGK)	(1)
034	98073-54750	SPARK PLUG (W14M-U) (DENSO)	(1)
034	98073-54754	SPARK PLUG (W14MR-U) (DENSO)	(1)
034	98073-54944	SPARK PLUG (BPMR4A-10) (NGK)	(1)
034	98073-54951	SPARK PLUG (W14MP-U10) (DENSO)	(1)

TRU-POWER, INC.

Model Name	G100	Product Line	GENERAL PURPOSE ENGINE
Mfg		Type	QAH
Section	ENGINE	Illustration	TOOLS

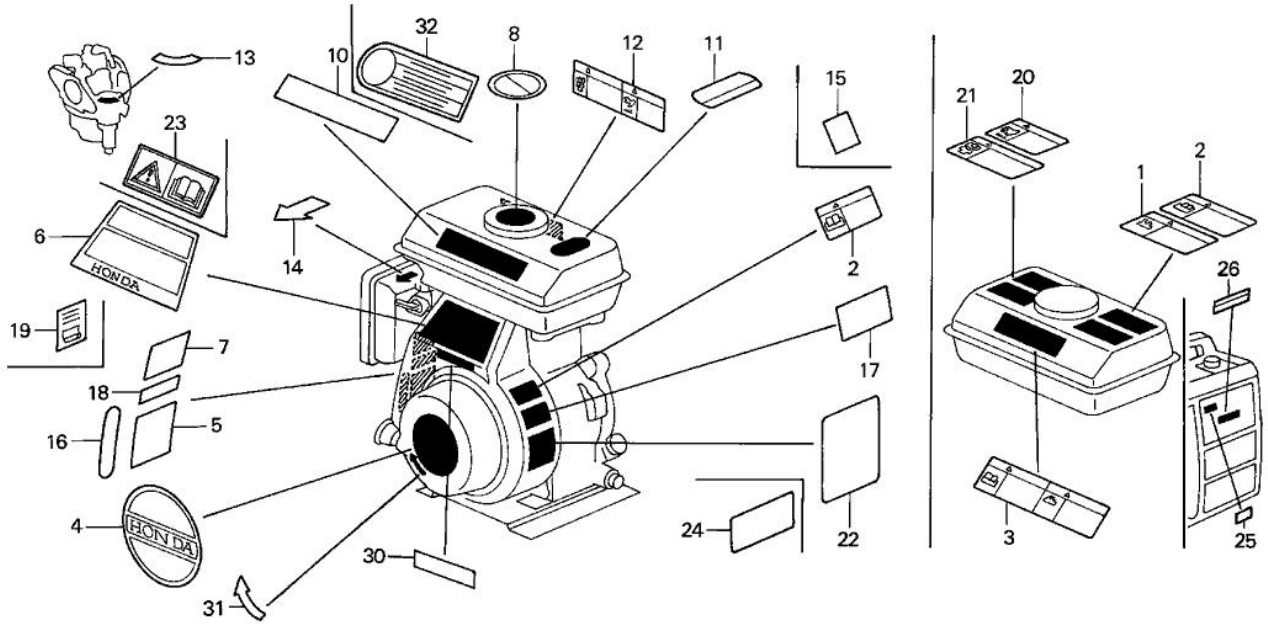


ZG00-E2900

Ref.	Part Number	Part Description	Qty.
003	89216-888-000	WRENCH, SPARK PLUG	001

TRU-POWER, INC.

Model Name	G100	Product Line	GENERAL PURPOSE ENGINE
Mfg		Type	QAH
Section	ENGINE	Illustration	LABELS (1)

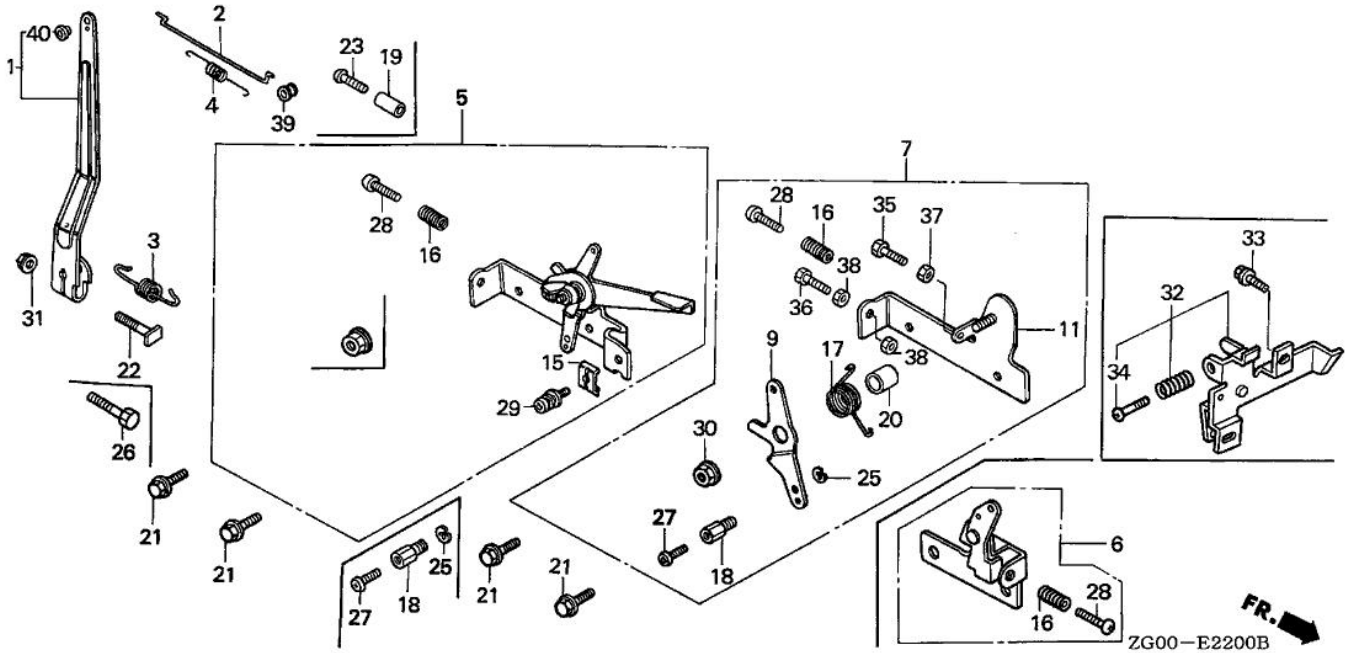


ZG00-E2800

Ref.	Part Number	Part Description		Qty.
006	87521-896-630	EMBLEM (ENGLISH/FRENCH/SPANISH)	(NOT AVAILABLE)	(1)
011	87522-883-660	MARK, CAUTION (ENGLISH/FRENCH/SPANISH)		(1)
014	87528-883-661	MARK, CHOKE		(1)
016	87532-896-630	MARK, THROTTLE (ENGLISH/FRENCH)	(NOT AVAILABLE)	(1)
022	87594-883-000	MARK, OIL CAUTION		(1)
031	87103-883-000	MARK, STARTING	(NOT AVAILABLE)	(1)
032	87522-883-660	MARK, CAUTION (ENGLISH/FRENCH/SPANISH)		001

TRU-POWER, INC.

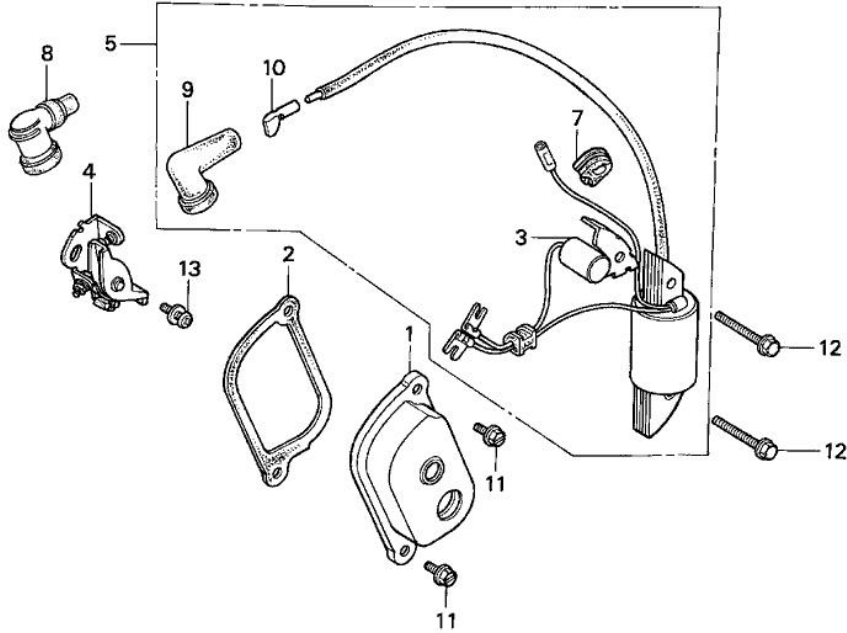
Model Name	G100	Product Line	GENERAL PURPOSE ENGINE
Mfg		Type	QAH
Section	ENGINE	Illustration	CONTROL (1)



Ref.	Part Number	Part Description	Qty.
001	16551-896-000	ARM, GOVERNOR (NOT AVAILABLE)	001
002	16555-896-000	ROD, GOVERNOR (NOT AVAILABLE)	001
003	16561-896-000	SPRING, GOVERNOR (NOT AVAILABLE)	001
004	16562-896-000	SPRING, THROTTLE RETURN	001
005	16570-896-010	CONTROL ASSY.	(1)
005	16570-896-010	CONTROL ASSY.	001
005	16570-ZG0-000	CONTROL ASSY.	(1)
015	16576-891-000	HOLDER, CABLE	001
016	16584-883-300	SPRING, CONTROL ADJUSTING	(1)
021	95701-06012-08	BOLT, FLANGE (6X12)	002
022	90015-ZE5-010	BOLT, GOVERNOR ARM	001
028	93500-05020-0A	SCREW, PAN (5X20)	(1)
028	93500-05025-0A	SCREW, PAN (5X25)	001
029	93893-05016-00	SCREW-WASHER (5X16)	001
030	94050-06000	NUT, FLANGE (6MM)	001
031	94050-06000	NUT, FLANGE (6MM)	001

TRU-POWER, INC.

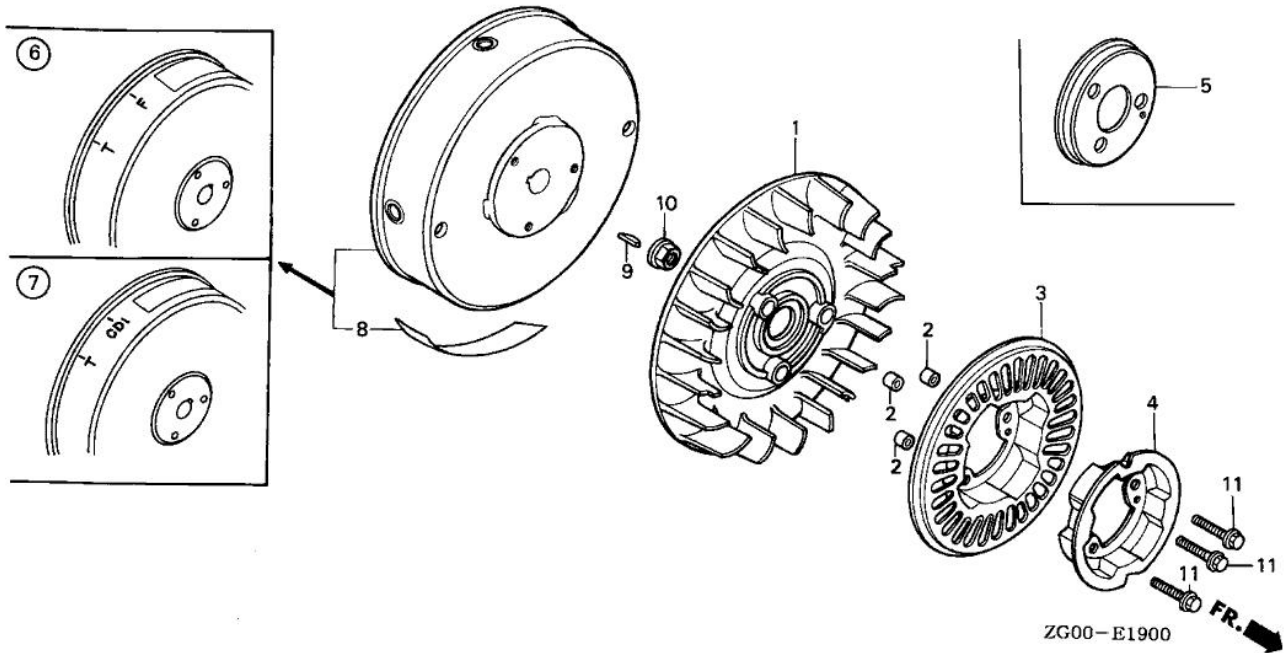
Model Name	G100	Product Line	GENERAL PURPOSE ENGINE
Mfg		Type	QAH
Section	ENGINE	Illustration	IGNITION COIL (1)



Ref.	Part Number	Part Description	Qty.
001	30211-896-000	COVER, POINTS (NOT AVAILABLE)	(1)
002	30215-896-306	GASKET, BREAKER COVER (NOT AVAILABLE)	(1)
003	30251-896-003	CONDENSER (NOT AVAILABLE)	(1)
004	30280-896-003	POINTS ASSY. (NOT AVAILABLE)	(1)
005	30560-896-003	COIL ASSY., IGNITION (NOT AVAILABLE)	001
007	30563-883-000	GROMMET, WIRE	(1)
009	30701-888-004	CAP, IGNITION (TOYO)	001
010	30702-888-003	TERMINAL, PLUG	001
011	90002-892-000	BOLT, FLANGE (5X10)	(2)
012	90007-896-000	BOLT, FLANGE (5X25)	(2)
013	90051-883-000	SCREW-WASHER (5X12)	(1)

TRU-POWER, INC.

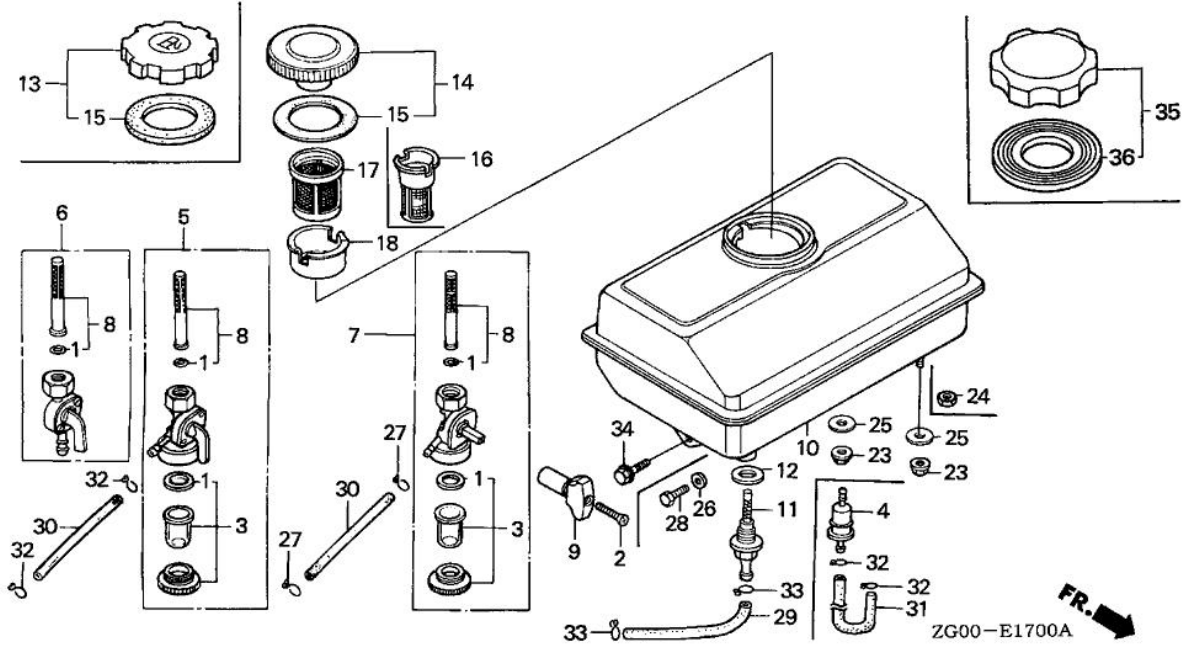
Model Name	G100	Product Line	GENERAL PURPOSE ENGINE
Mfg		Type	QAH
Section	ENGINE	Illustration	FLYWHEEL - COOLING FAN (1)



Ref.	Part Number	Part Description	Qty.
001	19511-896-000	FAN, COOLING (NOT AVAILABLE)	001
002	19512-896-000	COLLAR, FAN	003
003	28452-896-000	GRID, SCREEN	001
004	28453-896-003	PULLEY, STARTER (NOT AVAILABLE)	001
006	31100-896-010	FLYWHEEL	(1)
008	87541-896-000	MARK, FLYWHEEL CAUTION	(1)
009	90741-035-000	KEY, WOODRUFF (3MM)	001
010	94050-12080	NUT, FLANGE (12MM)	001
011	95701-06022-08	BOLT, FLANGE (6X22)	003

TRU-POWER, INC.

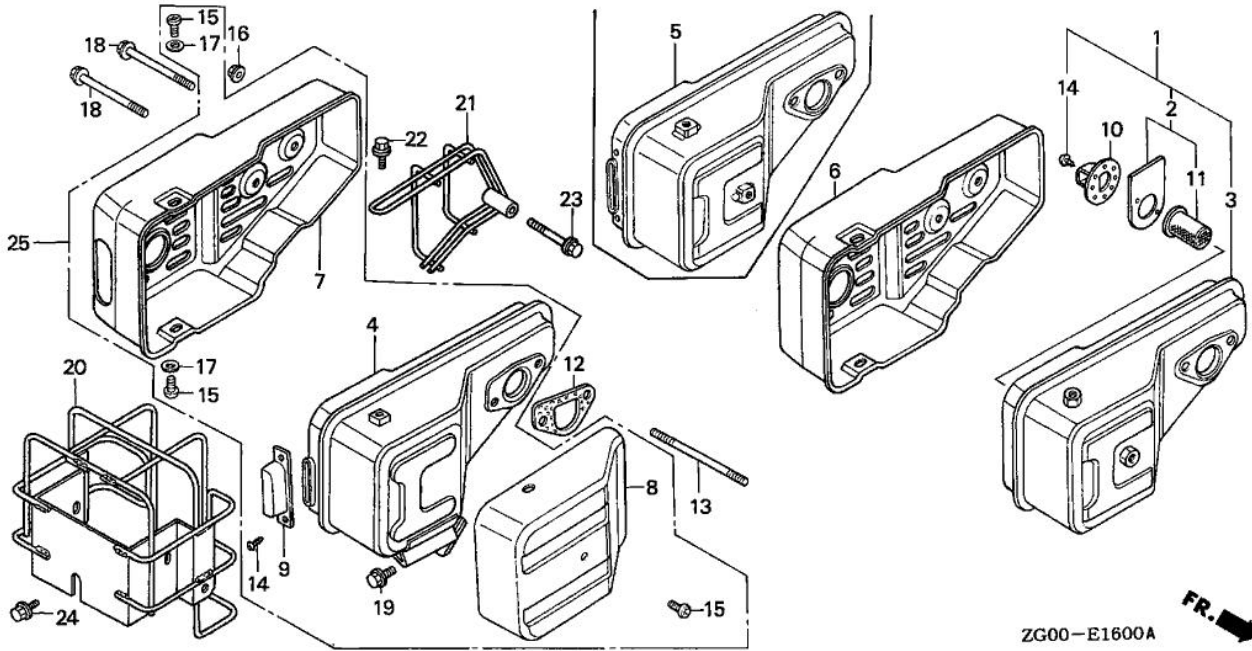
Model Name	G100	Product Line	GENERAL PURPOSE ENGINE
Mfg		Type	QAH
Section	ENGINE	Illustration	FUEL TANK (1)



Ref.	Part Number	Part Description	Qty.
001	16080-883-005	GASKET SET, PETCOCK	(1)
003	16081-471-831	CUP, FUEL STRAINER	(1)
003	16081-883-015	CUP SET, FUEL STRAINER	(1)
005	16950-883-045	PETCOCK ASSY.	(1)
005	16950-898-633	PETCOCK ASSY.	(1)
008	16952-883-005	SCREEN SET	(1)
010	17510-896-000	TANK, FUEL (NOT AVAILABLE)	001
014	17620-402-010	CAP, FUEL FILLER	001
014	17620-ZH7-023	CAP, FUEL FILLER (BLACK)	001
015	17631-329-003	GASKET, FUEL FILLER CAP (39X58X3)	001
017	17672-880-000	FILTER, FUEL	001
018	17673-893-000	HOLDER, FUEL FILTER	001
023	94050-06000	NUT, FLANGE (6MM)	002
025	90438-671-000	WASHER, SPECIAL (6MM)	(2)
030	95001-45003-60M	BULK HOSE, FUEL (4.5X3000) OEM CUT SIZE: (4.5X67)	001
033	95002-02080	CLIP, TUBE (B8)	002
034	95701-06014-08	BOLT, FLANGE (6X14)	001

TRU-POWER, INC.

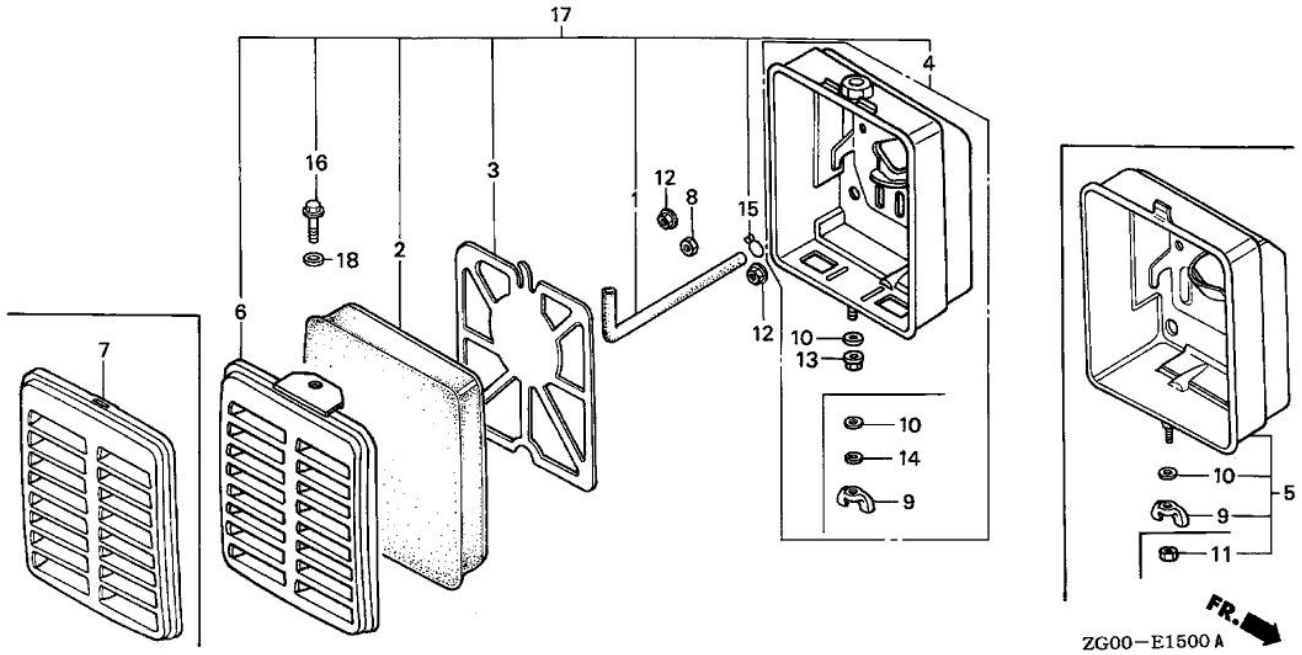
Model Name	G100	Product Line	GENERAL PURPOSE ENGINE
Mfg		Type	QAH
Section	ENGINE	Illustration	MUFFLER (1)



Ref.	Part Number	Part Description	Qty.
001	183A1-896-690	MUFFLER KIT (ARRESTER) (NOT AVAILABLE)	(1)
005	18310-896-000	MUFFLER (W/PROTECTOR)	001
007	18320-896-000	PROTECTOR, MUFFLER (NOT AVAILABLE)	(1)
008	18321-896-000	SEPARATOR, MUFFLER	(1)
009	18331-896-000	DEFLECTOR, MUFFLER	(1)
011	18355-959-620	ARRESTER, SPARK	(1)
012	18381-896-000	GASKET, MUFFLER (NOT AVAILABLE)	001
014	90183-671-003	SCREW, TAPPING (4X8)	(2)
015	93500-06006-0A	SCREW, PAN (6X6)	(3)
017	94101-06800	WASHER, PLAIN (6MM)	(3)
018	95701-06040-08	BOLT, FLANGE (6X40)	002

TRU-POWER, INC.

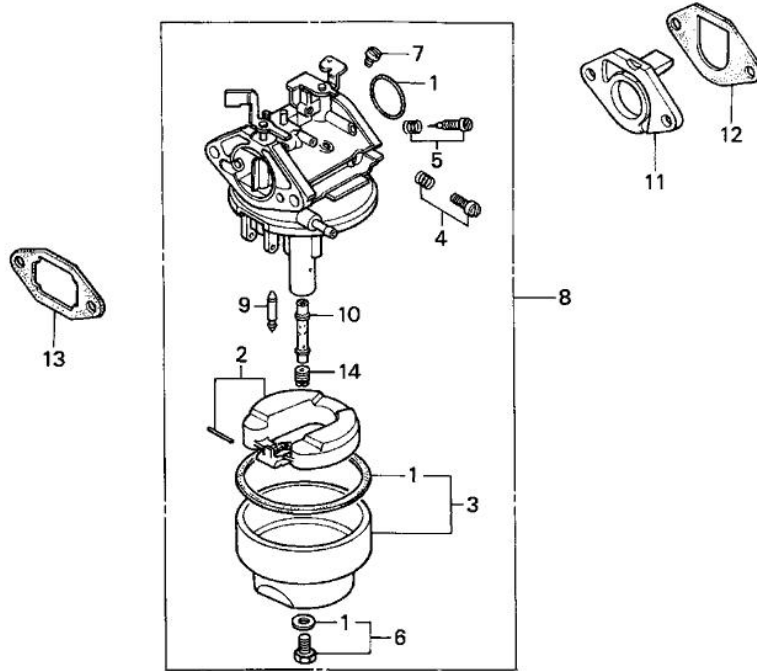
Model Name	G100	Product Line	GENERAL PURPOSE ENGINE
Mfg		Type	QAH
Section	ENGINE	Illustration	AIR CLEANER (1)



Ref.	Part Number	Part Description	Qty.
001	15721-896-010	TUBE, BREATHER	001
002	17211-896-000	ELEMENT, AIR CLEANER	001
003	17212-896-000	GRID, AIR CLEANER	001
005	17220-896-000	HOUSING, AIR CLEANER	(NOT AVAILABLE) 001
007	17231-896-000	COVER, AIR CLEANER	001
009	90325-044-000	NUT, TOOL BOX SETTING	001
010	94101-06800	WASHER, PLAIN (6MM)	001
012	94050-05080	NUT, FLANGE (5MM)	002

TRU-POWER, INC.

Model Name	G100	Product Line	GENERAL PURPOSE ENGINE
Mfg		Type	QAH
Section	ENGINE	Illustration	CARBURETOR (2)

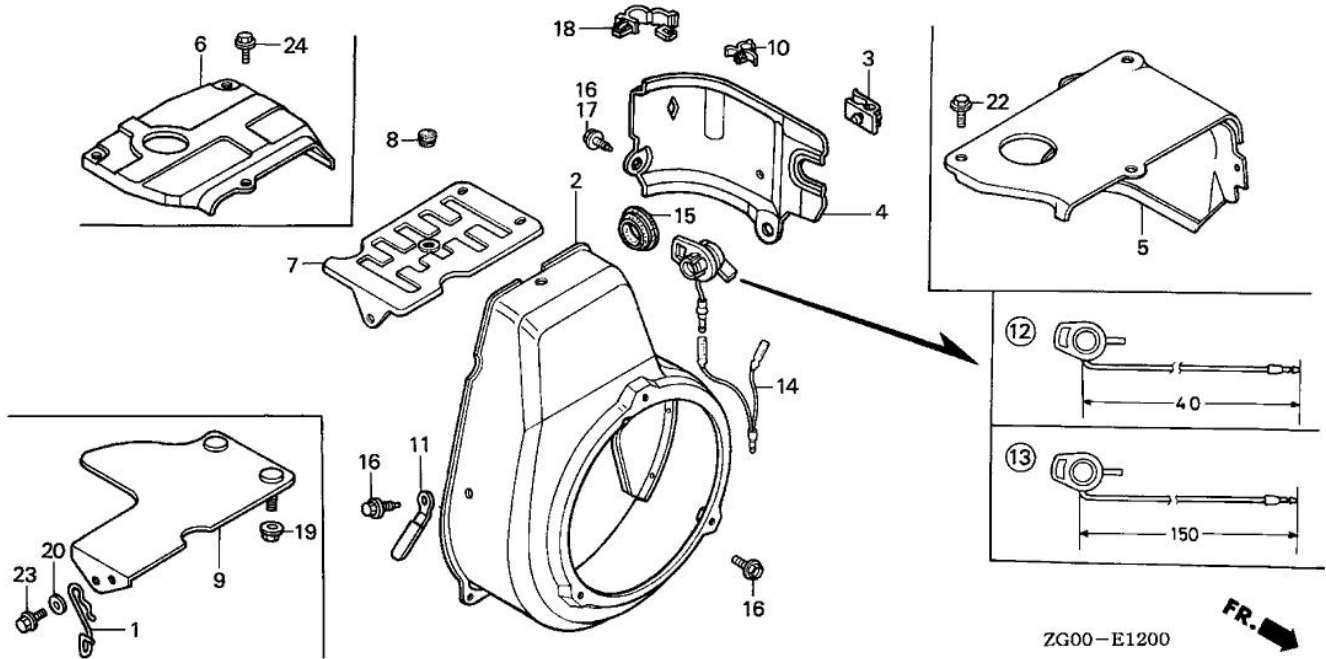


ZG00-E1401

Ref.	Part Number	Part Description	Qty.
001	16010-892-505	GASKET.KIT	(1)
001	16010-896-005	GASKET SET	(1)
002	16013-883-005	FLOAT SET	(1)
003	16015-896-701	CHAMBER SET, FLOAT	(NOT AVAILABLE)
004	16016-892-005	SCREW SET A	(1)
005	16016-YA1-801	SCREW SET A	(1)
006	16028-883-005	SCREW SET B	(1)
007	16071-881-003	SCREW, PLUG	(NOT AVAILABLE)
008	16100-896-661	CARBURETOR ASSY.	(NOT AVAILABLE)
009	16155-883-005	VALVE, FLOAT	(1)
010	16166-896-005	NOZZLE, MAIN	(NOT AVAILABLE)
011	16211-896-000	INSULATOR, CARBURETOR	001
011	16211-896-306	INSULATOR, CARBURETOR	(NOT AVAILABLE)
012	16212-896-306	GASKET, INSULATOR	001
013	16269-892-000	GASKET, AIR CLEANER	(NOT AVAILABLE)
014	99101-124-0450	JET, MAIN (#45)	(1)
014	99101-124-0480	JET, MAIN (#48)	(1)
014	99101-124-0500	JET, MAIN (#50)	(1)
014	99101-124-0520	JET, MAIN (#52)	(1)
014	99101-124-0550	JET, MAIN (#55)	(1)

TRU-POWER, INC.

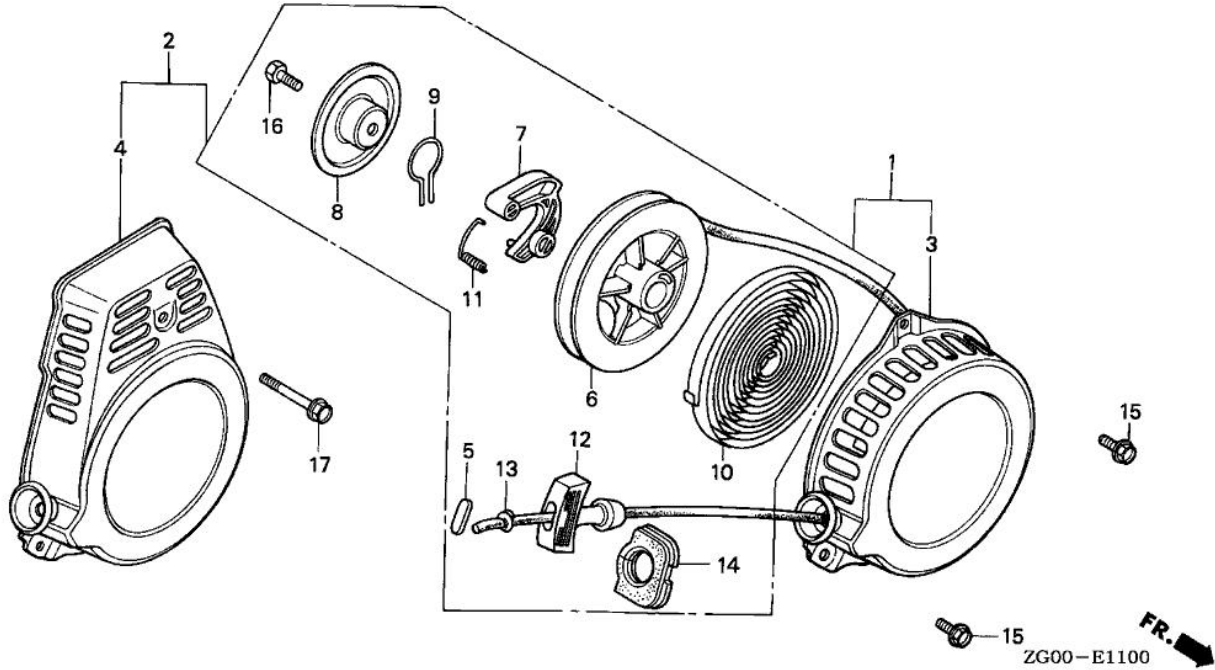
Model Name	G100	Product Line	GENERAL PURPOSE ENGINE
Mfg		Type	QAH
Section	ENGINE	Illustration	FAN COVER (1)



Ref.	Part Number	Part Description	Qty.
002	19610-896-000H	COVER, FAN *R8*(BRIGHT RED) (NOT AVAILABLE)	001
004	19631-896-000	SHROUD (NOT AVAILABLE)	001
007	19641-896-000	COVER, TOP (NOT AVAILABLE)	001
008	19643-883-010	GROMMET, TOP COVER	001
010	30701-883-000	CLIP, IGNITION WIRE (8MM)	(1)
012	36100-ZE1-015	SWITCH ASSY., ENGINE STOP	(1)
016	95701-06012-08	BOLT, FLANGE (6X12)	002
017	90013-883-000	BOLT, FLANGE (6X12) (CT200)	001

TRU-POWER, INC.

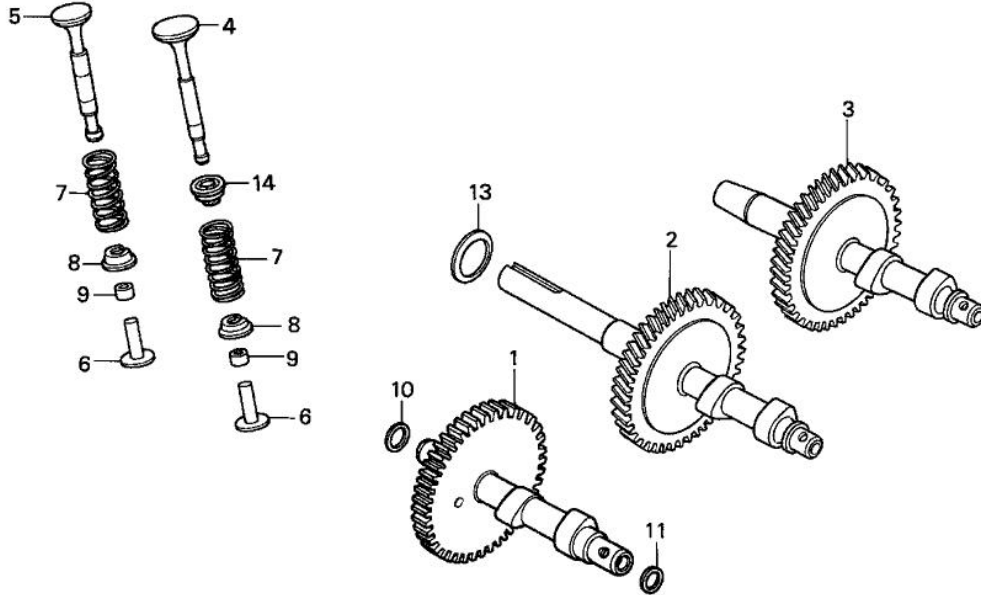
Model Name	G100	Product Line	GENERAL PURPOSE ENGINE
Mfg		Type	QAH
Section	ENGINE	Illustration	RECOIL STARTER (1)



Ref.	Part Number	Part Description	Qty.
001	28400-896-013	STARTER ASSY., RECOIL (NOT AVAILABLE)	001
003	28410-896-000	CASE, STARTER (NOT AVAILABLE)	001
006	28420-896-010	PULLEY, RECOIL STARTER (NOT AVAILABLE)	001
007	28422-896-010	RATCHET, STARTER	001
008	28431-896-000	PLATE, FRICTION	001
009	28441-896-000	SPRING, FRICTION	001
010	28442-896-000	SPRING, RETURN	001
011	28443-896-000	SPRING, RETURN	001
012	28461-896-000	KNOB, STARTER (NOT AVAILABLE)	001
013	28462-ZA7-003	ROPE, RECOIL STARTER	001
013	28462-ZE6-T02	ROPE, LONG (55")	001
015	90011-896-000	BOLT, FLANGE (6X8)	002
016	92101-06012-0H	BOLT, HEX. (6X12)	001

TRU-POWER, INC.

Model Name	G100	Product Line	GENERAL PURPOSE ENGINE
Mfg		Type	QAH
Section	ENGINE	Illustration	CAMSHAFT

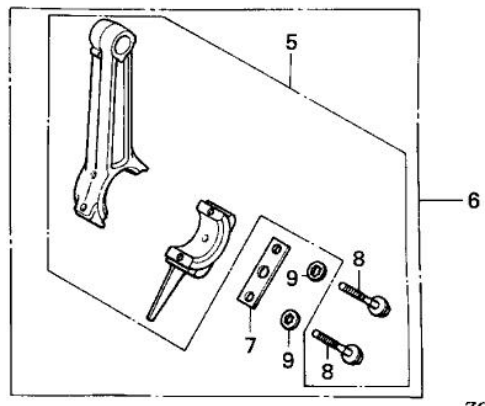
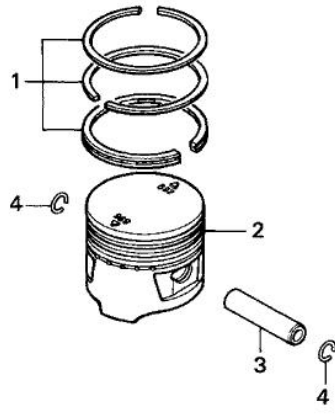


ZG00-E0900 **FR.**

Ref.	Part Number	Part Description	Qty.
001	14111-896-000	CAMSHAFT	001
001	14111-896-010	CAMSHAFT (NOT AVAILABLE)	001
004	14711-896-000	VALVE, IN.	001
005	14721-896-000	VALVE, EX.	001
006	14732-892-000	LIFTER, VALVE	002
006	14732-892-010	LIFTER, VALVE (NOT AVAILABLE)	002
007	14751-896-000	SPRING, VALVE	002
008	14771-892-000	RETAINER, VALVE SPRING (NOT AVAILABLE)	002
008	14771-ZG0-000	RETAINER, VALVE SPRING	002
009	14801-892-000	ADJUSTER, TAPPET CLEARANCE (3.15)	002
009	14803-892-000	ADJUSTER, TAPPET CLEARANCE (3.25)	002
009	14806-892-000	ADJUSTER, TAPPET CLEARANCE (3.34)	002
009	14809-892-000	ADJUSTER, TAPPET CLEARANCE (3.43)	002
009	14812-892-000	ADJUSTER, TAPPET CLEARANCE (3.52)	002
009	14815-892-000	ADJUSTER, TAPPET CLEARANCE (3.61)	002
009	14818-892-000	ADJUSTER, TAPPET CLEARANCE (3.72)	002
009	14820-892-000	ADJUSTER, TAPPET CLEARANCE (3.82)	002
010	90412-329-000	WASHER, THRUST (10MM)	001
010	90452-892-000	WASHER, THRUST (16MM)	001
011	90412-329-000	WASHER, THRUST (10MM)	001
011	90452-892-000	WASHER, THRUST (16MM)	001
011	90452-892-000	WASHER, THRUST (16MM)	001

TRU-POWER, INC.

Model Name	G100	Product Line	GENERAL PURPOSE ENGINE
Mfg		Type	QAH
Section	ENGINE	Illustration	PISTON

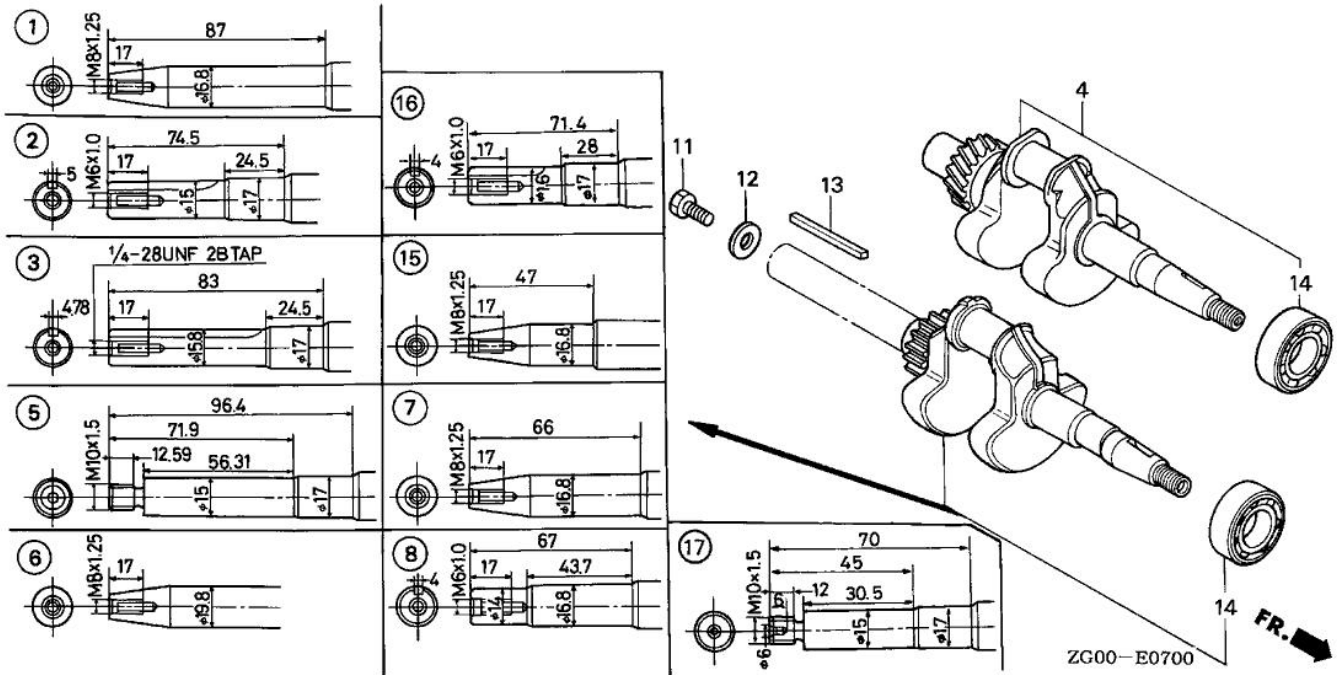


ZG00-E0800

Ref.	Part Number	Part Description	Qty.
001	130A1-896-003	RING SET, PISTON (STD) (TEIKOKU)	001
001	130B1-896-003	RING SET, PISTON (0.25) (TEIKOKU)	(1)
001	130B1-896-004	RING SET, PISTON (0.25) (NIPPON)	(1)
001	130C1-896-003	RING SET, PISTON (0.50) (TEIKOKU)	(1)
001	130C1-896-004	RING SET, PISTON (0.50) (NIPPON)	(1)
001	130D1-896-003	RING SET, PISTON (0.75) (TEIKOKU)	(1)
001	130D1-896-004	RING SET, PISTON (0.75) (NIPPON)	(1)
002	13101-892-000	PISTON (STD)	001
002	13101-ZA8-000	PISTON	001
002	13102-892-000	PISTON (0.25)	(1)
002	13103-892-000	PISTON (0.50)	(1)
002	13104-ZA8-000	PISTON (0.75)	(1)
003	13111-892-000	PIN, PISTON	001
004	13115-147-000	CLIP, PISTON PIN (10MM)	002
005	13200-ZG0-000	ROD ASSY., CONNECTING (STD)	001
005	13200-ZG0-305	ROD ASSY., CONNECTING (0.25 LOWER SIZE)	(1)
006	13200-892-305	ROD ASSY., CONNECTING (UNDER SIZE 0.25)	(1)
006	13200-ZG0-000	ROD ASSY., CONNECTING (STD)	001
007	13213-892-000	WASHER, CONNECTING ROD	(1)
008	90001-ZG0-000	BOLT, CONNECTING ROD	002
009	90456-892-000	WASHER, LOCK	002

TRU-POWER, INC.

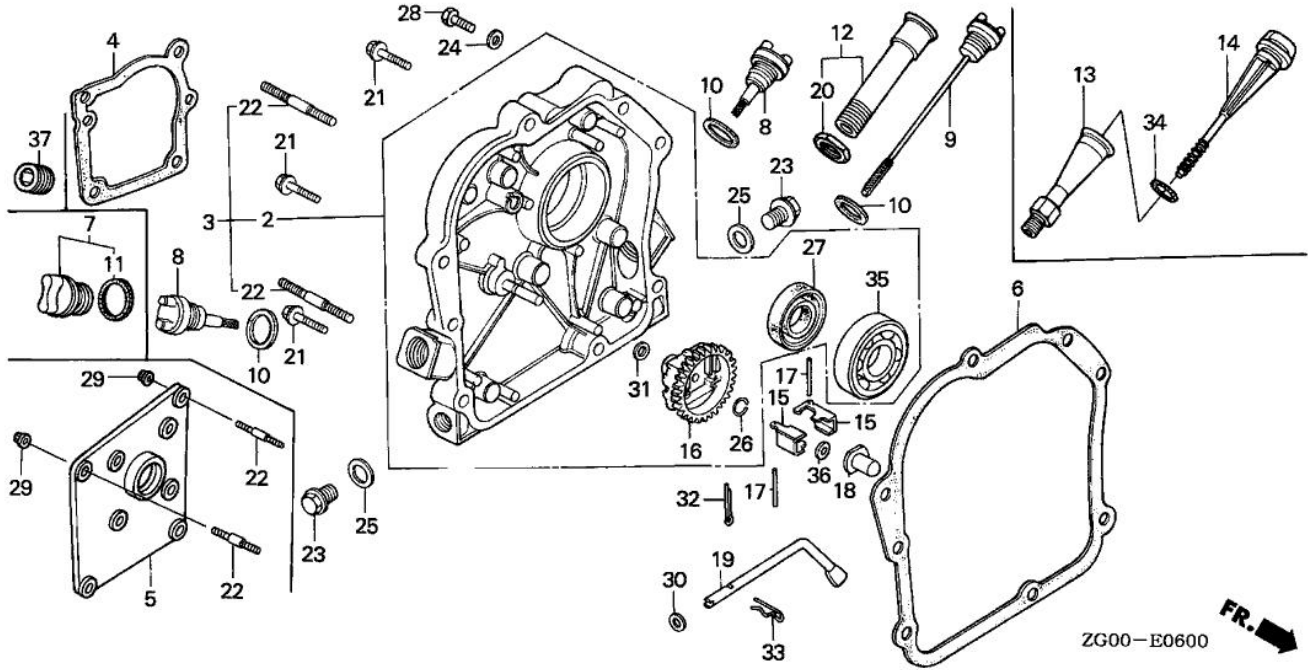
Model Name	G100	Product Line	GENERAL PURPOSE ENGINE
Mfg		Type	QAH
Section	ENGINE	Illustration	CRANKSHAFT



Ref.	Part Number	Part Description	Qty.
003	13310-896-630	CRANKSHAFT (NOT AVAILABLE)	001
014	96100-62030-00	BEARING, RADIAL BALL (6203)	001

TRU-POWER, INC.

Model Name	G100	Product Line	GENERAL PURPOSE ENGINE
Mfg		Type	QAH
Section	ENGINE	Illustration	CRANKCASE COVER (1)



Ref.	Part Number	Part Description	Qty.
002	11300-896-000	COVER ASSY., CRANKCASE (NOT AVAILABLE)	001
006	11381-896-000	GASKET, CASE COVER (NOT AVAILABLE)	001
008	15620-896-000	CAP, OIL FILLER (NOT AVAILABLE)	(2)
010	15621-896-010	GASKET, OIL FILLER CAP	(2)
015	16511-896-000	WEIGHT, GOVERNOR	002
016	16512-896-300	HOLDER, GOVERNOR WEIGHT (NOT AVAILABLE)	001
016	16512-ZG0-000	HOLDER, GOVERNOR WEIGHT	001
017	16513-ZE1-000	PIN, GOVERNOR WEIGHT	002
018	16531-896-000	SLIDER, GOVERNOR	001
018	16531-ZG0-000	SLIDER, GOVERNOR	001
019	16541-896-000	SHAFT, GOVERNOR ARM	001
021	95701-06028-08	BOLT, FLANGE (6X28)	006
023	90131-896-650	BOLT, DRAIN PLUG (12X15)	002
025	94109-12000	WASHER, DRAIN PLUG (12MM)	002
026	90602-ZE1-000	CLIP, GOVERNOR HOLDER	001
027	91202-892-004	OIL SEAL (17X30X6) (NOK)	001
030	94101-05800	WASHER, PLAIN (5MM)	001
031	94101-06800	WASHER, PLAIN (6MM)	001
032	94201-25280	PIN, SPLIT (2.5X28)	002
033	94251-08000	PIN, LOCK (8MM)	001
035	96100-62030-00	BEARING, RADIAL BALL (6203)	001