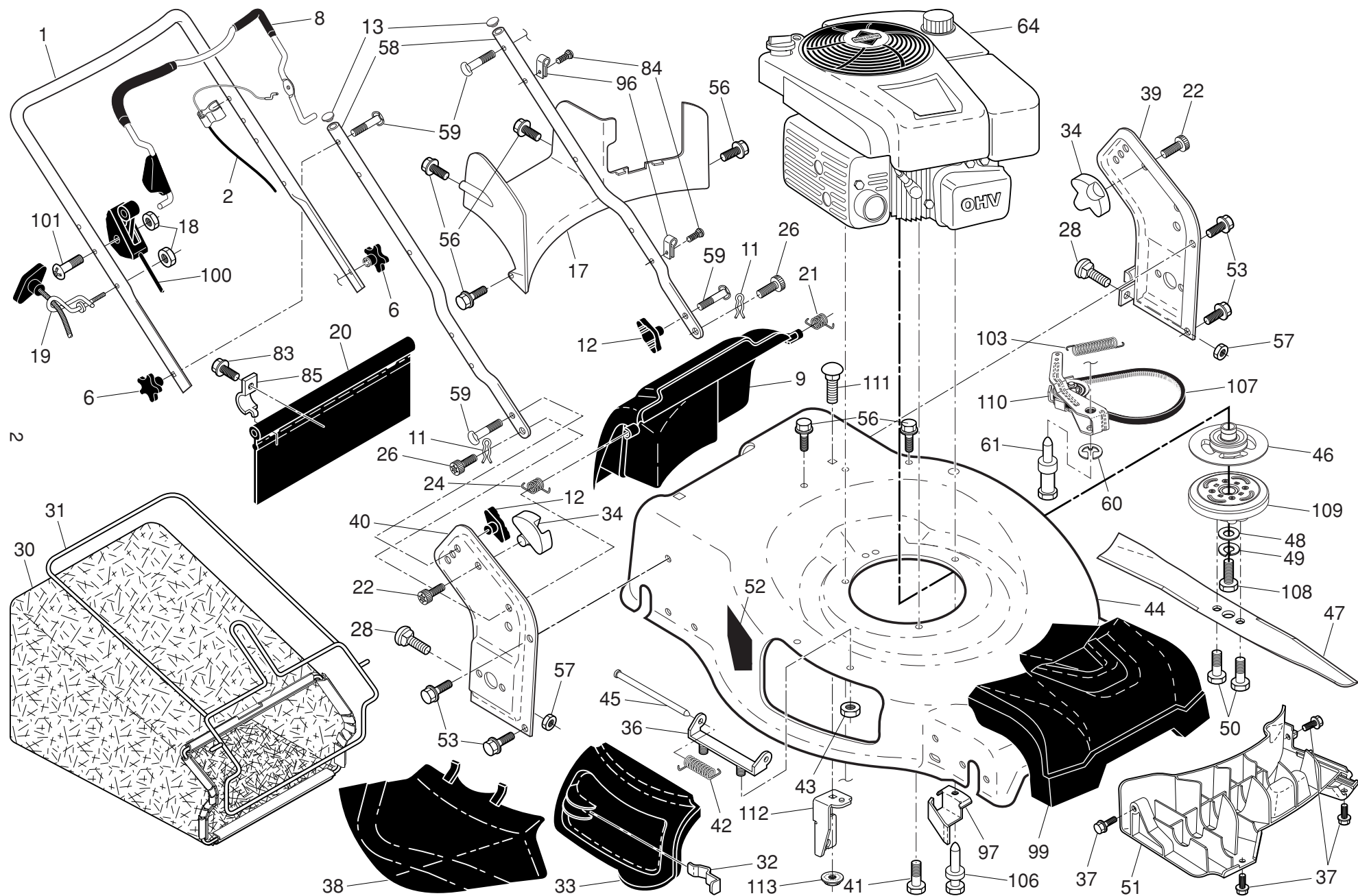


HUSQVARNA ROTARY LAWN MOWER - MODEL NUMBER HU775BBC (PRODUCT NUMBER 961 45 00-14)

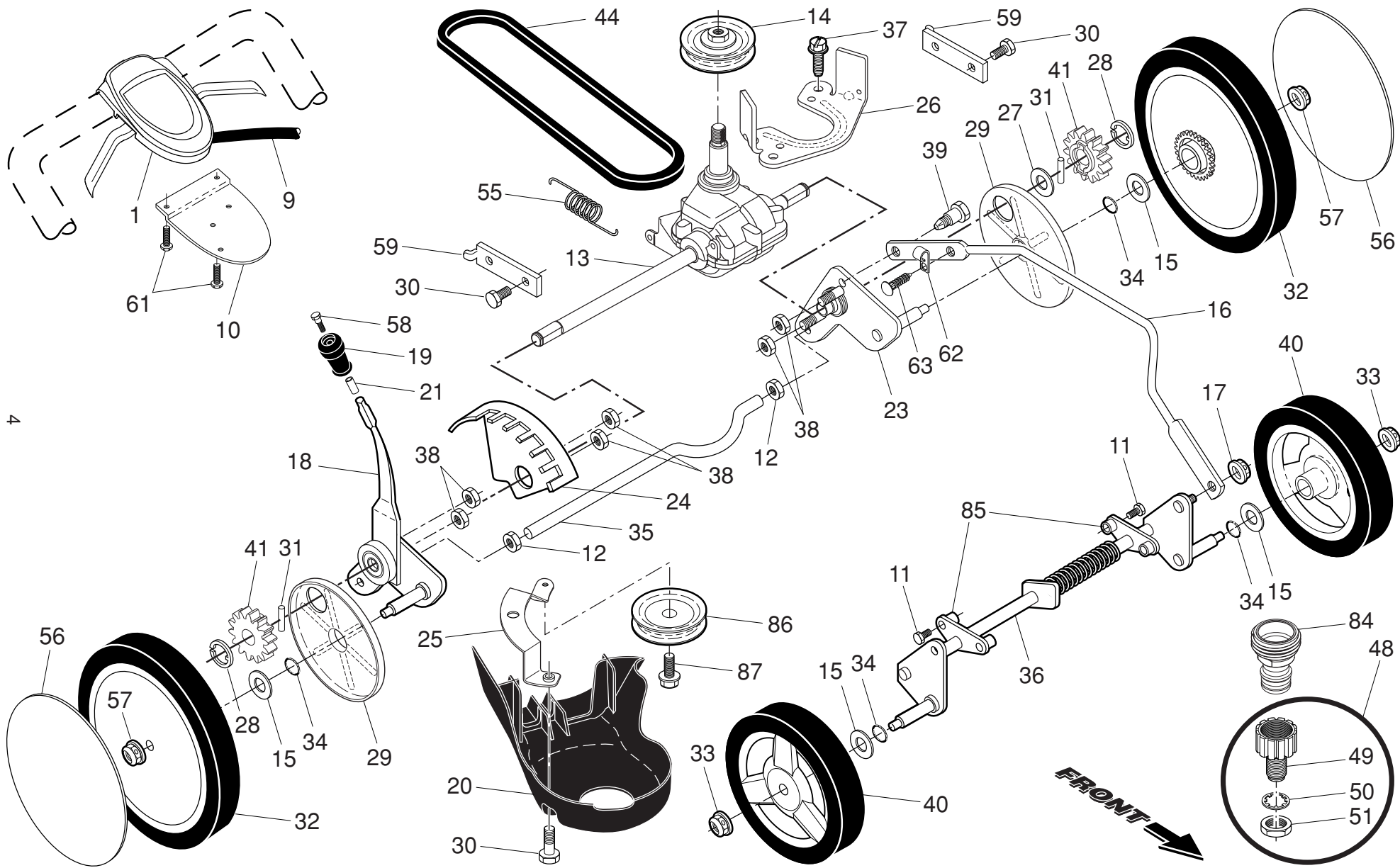


HUSQVARNA ROTARY LAWN MOWER - MODEL NUMBER HU775BBC (PRODUCT NUMBER 961 45 00-14)

KEY NO.	PART NO.	DESCRIPTION	KEY NO.	PART NO.	DESCRIPTION
1	580 63 87-06	Upper Handle	48	579 27 38-01	Washer, Flat
2	579 48 42-02	Cable, Blade Brake / Clutch Control	49	532 85 02-63	Washer, Lock
6	532 18 23-98	Handle Knob, Star	50	532 18 04-60	Bolt, Hex Head, Grade 8
8	580 74 97-08	Control Bar Assembly (Includes Blade Control Lever, Roll Pin and Spring)	51	581 23 89-01	Front Baffle
9	532 43 13-90	Rear Door Assembly	52	532 40 47-63	Decal, Danger
11	532 42 55-75	Hairpin, Door/Handle Pivot	53	817 00 05-10	Screw
12	532 19 19-38	Handle Knob, Standard	56	817 41 13-12	Screw, Hex Washer Head #13 x 3/4
13	532 43 75-16	Pug, Handle Bar	57	532 15 53-77	Nut, Hex
17	581 78 21-01	Rear Baffle	58	532 44 11-97	Bar, Lower Handle
18	532 13 20-04	Keps Locknut 1/4-20	59	532 19 15-74	Handle Bolt
19	532 19 47-88	Rope Guide	60	579 48 28-01	E-Ring
20	532 44 45-37	Rear Skirt	61	581 42 45-01	Bolt, Pivot, Tension Arm
21	532 41 99-49	Spring, Rear Door, LH, Black	64	- - -	Engine, Briggs & Stratton, Model Number 111P02-0003-F1 (order parts from Briggs & Stratton)
22	532 14 18-41	Screw, Panhead, Torx #20	83	532 75 00-97	Screw
24	532 41 99-48	Spring, Rear Door, RH, Grey	84	532 42 81-24	Fastener, Push
26	532 41 99-45	Screw, Rear Door/Handle Pivot	85	532 43 45-30	Mounting Bracket, Skirt
28	872 25 05-05	Bolt, Carriage 5/16-18 x 5/8	96	532 19 79-91	Clip, Cable
30	580 94 34-05	Grassbag	97	532 43 48-93	Belt Keeper
31	532 41 99-51	Frame, Grass Catcher	99	532 43 73-89	Cover, Drive
32	532 44 11-92	Latch, Mulcher Door	100	579 48 42-02	Control, Throttle/Engine
33	532 41 99-27	Mulcher Door	101	532 18 33-65	Screw
34	532 43 81-34	Bracket, Grassbag	103	581 53 07-01	Spring, Brake Reset
36	532 17 57-35	Hinge Bracket Assembly	106	579 14 69-01	Bolt, Brake Reset Spring
37	532 43 73-45	Screw, Hex Washer Head	107	579 27 32-01	Belt, Blade Brake/Clutch
38	532 42 61-29	Discharge Deflector	108	532 85 10-84	Bolt, Blade Brake/Clutch
39	581 35 37-02	Handle Bracket, LH	109	581 30 81-01	Free Hub/Blade Adapter
40	581 35 36-02	Handle Bracket, RH	110	581 35 45-01	Tension Arm Assembly, Blade Brake/Clutch
41	532 15 04-06	Screw, Dogpoint 3/8-16 x 1-1/8	111	872 14 04-05	Bolt, Carriage 1/4-20
42	532 19 30-00	Spring, Torsion	112	579 47 18-02	Bracket, Mounting, Blade Brake/Clutch Cable
43	532 19 17-30	Nut, Hex, Nylock	113	532 43 81-30	Nut, Hex, Flanged 1/4-20
44	581 68 86-01	Kit, Lawn Mower Housing	--	115 54 09-49	Operator's Manual, English / French
45	532 17 56-50	Rod, Hinge	--	115 54 09-31	Operator's Manual, Spanish
46	581 27 74-01	Blade Brake/Clutch Assembly			
47	581 04 52-01	Blade, 22"			

NOTE: All component dimensions given in U.S. inches. 1 inch = 25.4 mm. **IMPORTANT:** Use only Original Equipment Manufacturer (O.E.M.) replacement parts. Failure to do so could be hazardous, damage your lawn mower and void your warranty.

HUSQVARNA ROTARY LAWN MOWER - MODEL NUMBER HU775BBC (PRODUCT NUMBER 961 45 00-14)



HUSQVARNA ROTARY LAWN MOWER - MODEL NUMBER HU775BBC (PRODUCT NUMBER 961 45 00-14)

KEY NO.	PART NO.	DESCRIPTION	KEY NO.	PART NO.	DESCRIPTION
1	581 95 05-01	Drive Control Assembly (Includes Cable)	33	532 40 91-48	Nut, Flangelock 3/8-16
9	581 95 21-01	Cable, Drive	34	532 19 74-80	O-Ring
10	532 43 27-90	Mounting Bracket, Drive Control	35	532 43 05-98	Axle, Rear
11	817 41 13-12	Screw	36	532 44 71-89	Axle, Front
12	873 94 08-00	Nut, Hex	37	532 16 34-09	Screw, Hi-Lo Thread, 12 x 5/8
13	581 71 00-01	Gearcase Assembly, Complete	38	532 19 17-30	Nut, Hex
14	532 19 41-28	Pulley, Drive	39	532 40 70-59	Bolt
15	532 08 83-48	Washer, Flat	40	532 41 08-31	Wheel & Tire Assembly, Front
16	532 43 00-30	Rod, Connecting	41	532 42 87-83	Pinion
17	532 75 11-53	Nut, Hex	44	532 40 65-57	Belt, Drive
18	532 44 14-20	Selector Assembly	48	532 43 84-89	Kit, Water Washout Assembly
19	532 43 39-96	Knob, Wheel Adjuster	49	532 43 49-94	Fitting, Water Washout
20	580 80 69-01	Debris Shield	50	532 41 55-85	Washer, Lock, Internal Tooth
21	532 43 52-42	Anchor	51	532 41 55-86	Locknut, Hex, with O-Ring
23	532 42 89-90	Wheel Axle Assembly, LH	55	581 35 13-01	Spring, Tension
24	532 43 35-11	Bracket, Height Adjustment	56	532 44 13-33	Hubcap
25	581 31 38-02	Mounting Bracket, Debris Shield	57	532 40 91-49	Nut, Flangelock 3/8-16
26	532 42 60-66	Belt Keeper	58	532 43 52-41	Bolt, Shoulder
27	819 17 12-16	Washer, Flat	59	532 44 21-13	Support Bracket
28	812 00 00-58	E-Ring 7/16	61	532 18 16-98	Screw
29	532 42 87-81	Cover, Dust, Wheel	62	532 19 79-91	Clip, Cable
30	817 00 05-10	Screw, Hex Head	63	532 42 81-24	Fastener, Push
31	532 40 48-45	Pawl, Drive	84	532 41 64-05	Adapter, Quick-Connect Coupling
32	581 33 67-01	Wheel & Tire Assembly, Rear	85	532 43 90-77	Support Bracket, Front Axle
			86	580 36 43-01	Pulley, Idler
			87	581 12 76-01	Screw

5

NOTE: All component dimensions given in U.S. inches. 1 inch = 25.4 mm. **IMPORTANT:** Use only Original Equipment Manufacturer (O.E.M.) replacement parts. Failure to do so could be hazardous, damage your lawn mower and void your warranty.