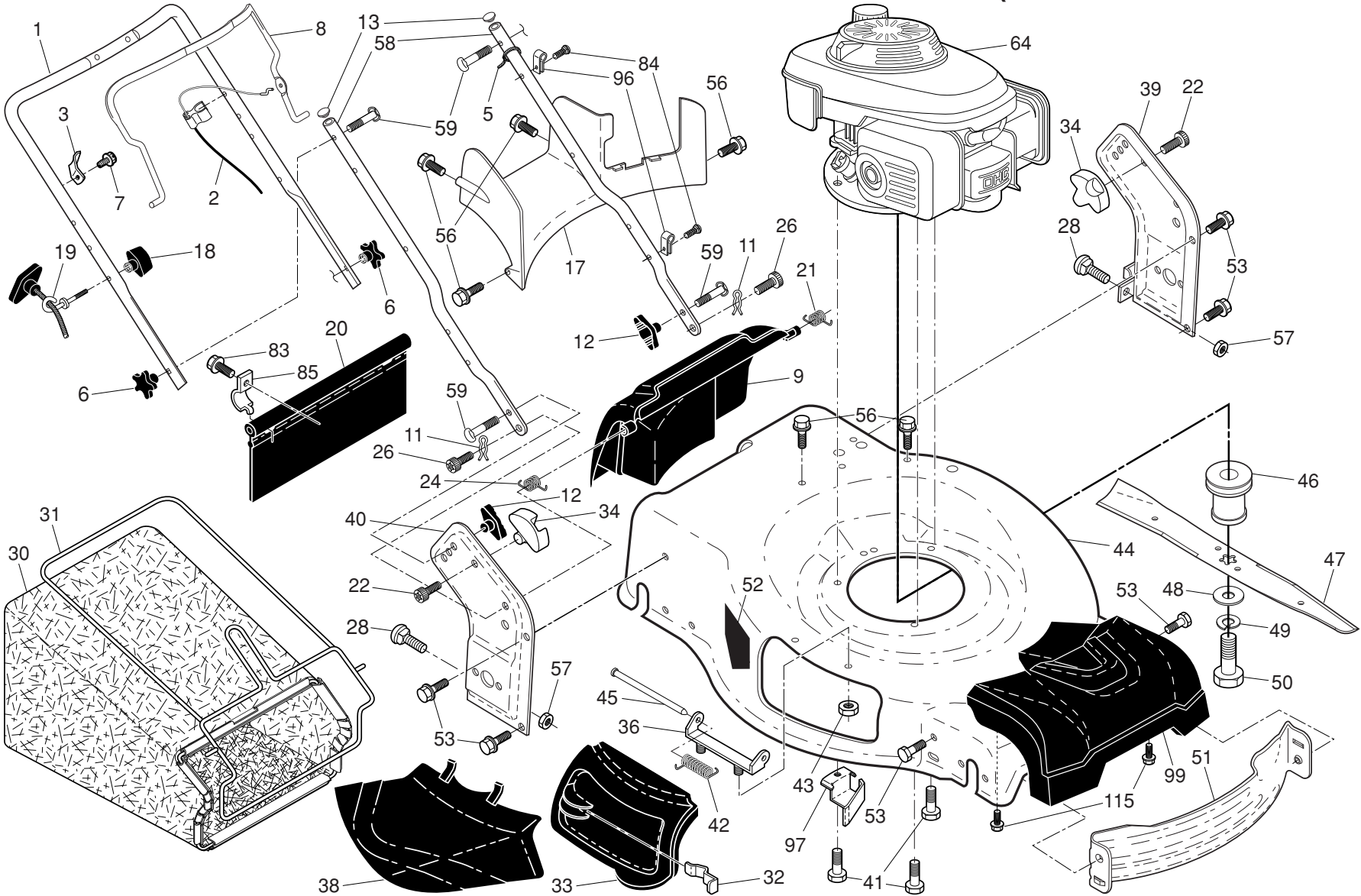


HUSQVARNA ROTARY LAWN MOWER - MODEL NUMBER HU700L (MFG. ID. NO. 96143009703)

2

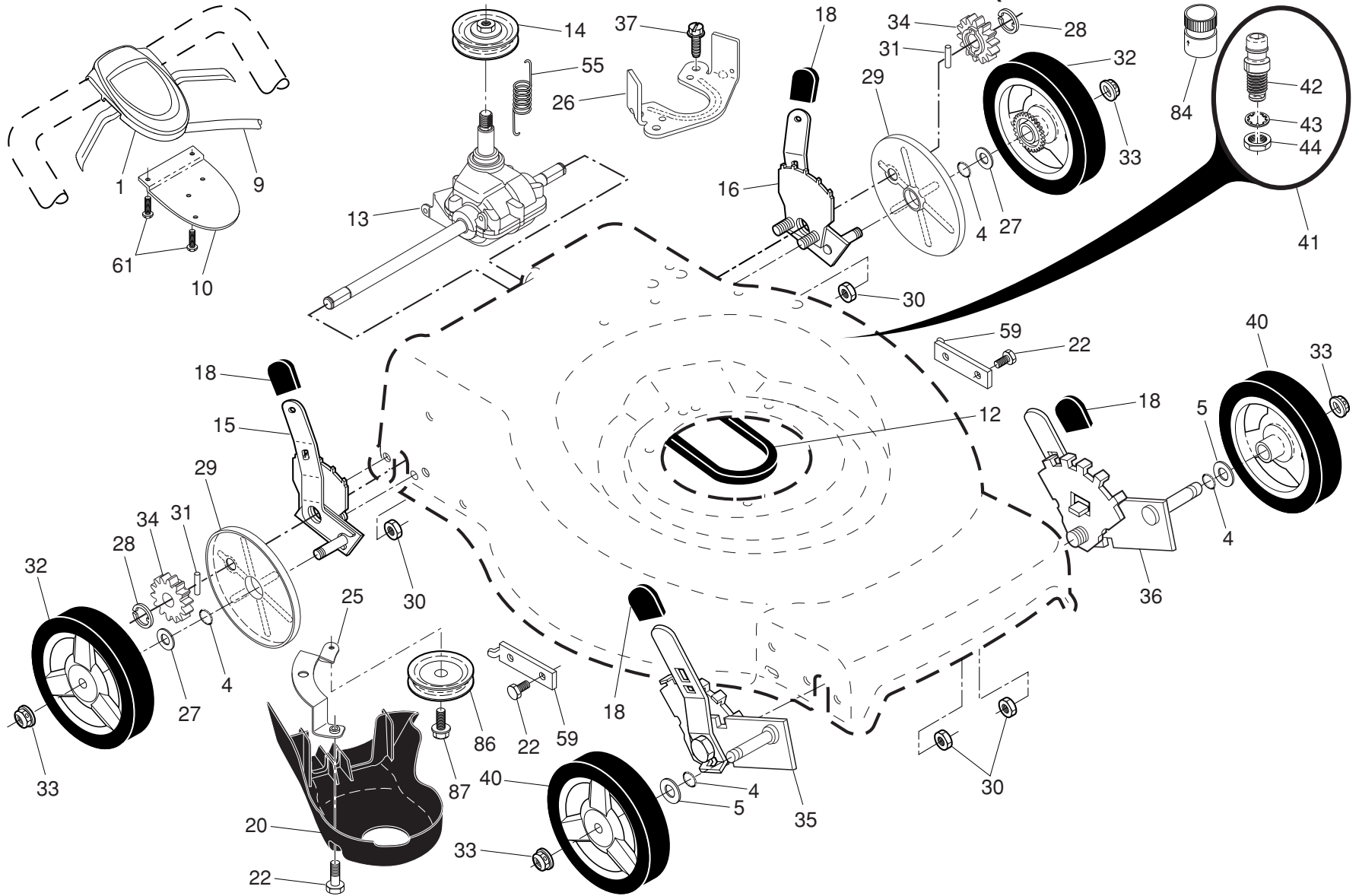


HUSQVARNA ROTARY LAWN MOWER - MODEL NUMBER HU700L (MFG. ID. NO. 96143009703)

KEY NO.	PART NO.	DESCRIPTION	KEY NO.	PART NO.	DESCRIPTION	KEY NO.	PART NO.	DESCRIPTION
1	580 63 87-06	Upper Handle Assembly	31	585 05 47-02	Frame, Grass Catcher	52	532 40 47-63	Decal, Danger
2	532 42 74-97	Cable, Engine Zone Control	32	532 44 11-92	Latch, Mulcher Door	53	817 00 05-10	Screw
3	532 43 00-34	Bracket, Upstop	33	532 41 99-27	Mulcher Door	56	817 41 13-12	Screw, Hex Washer Head #13 x 3/4
5	532 06 64-26	Wire Tie	34	532 43 81-34	Pivot Bracket			
6	532 18 23-98	Handle Knob, Star	36	532 17 57-35	Hinge Bracket Assembly	57	532 15 53-77	Nut, Hex
7	532 17 88-48	Screw #10-16 x 5/8	37	817 00 05-10	Screw, Hex Head 1/4-20	58	532 44 11-97	Lower Handle
8	580 84 91-02	Control Bar	38	532 42 61-29	Discharge Deflector	59	532 19 15-74	Handle Bolt
9	532 43 13-90	Rear Door Assembly	39	581 35 37-02	Handle Bracket, LH	64	- - -	Engine, Honda, Model Number GCV160-LAOS3B (For engine service and replacement parts, call Honda at 1-800-426-7701)
11	532 42 55-75	Hairpin, Door/Handle Pivot	40	581 35 36-02	Handle Bracket, RH			
12	532 19 19-38	Handle Knob, Standard	41	532 15 04-06	Screw, Dogpoint 3/8-16 x 1-1/8			
3	13	532 43 75-16	Plug, Lower Handle Bar					
17	581 78 21-01	Rear Baffle	42	532 19 30-00	Spring, Torsion			
18	581 91 26-01	T-Knob	43	532 19 17-30	Nut, Hex, Nylock	83	532 75 00-97	Screw, Hex Washer Head
19	581 90 21-01	Rope Guide	44	581 70 83-27	Kit, Lawn Mower Housing	85	532 43 45-30	Mounting Bracket, Rear Skirt
20	532 44 45-01	Rear Skirt	45	532 17 56-50	Rod, Hinge			
21	532 41 99-49	Spring, Rear Door, LH, Black	46	581 85 15-01	Blade Adapter / Pulley	84	532 42 81-24	Fastener, Push
22	532 14 18-41	Screw, Panhead, Torx #20	47	580 24 40-02	Blade, 22"	96	532 19 79-91	Clip, Cable
24	532 41 99-48	Spring, Rear Door, RH, Grey	48	532 85 10-74	Washer, Hardened	97	581 11 53-02	Belt Keeper
26	532 41 99-45	Screw, Rear Door / Handle Pivot	49	532 85 02-63	Washer, Helical	99	585 66 87-02	Front Shroud Assembly Bolt
28	872 25 05-05	Bolt, Carriage 5/16-18 x 5/8	50	532 85 10-84	Screw, Machine, Hex Head 3/8-24 x 1-3/8 Grade 8	115	584 29 94-01	Bolt
30	580 94 34-07	Grassbag	51	532 43 05-99	Front Baffle	- -	115 63 12-96	Operator's Manual, English / Spanish

NOTE: All component dimensions given in U.S. inches. 1 inch = 25.4 mm. **IMPORTANT:** Use only Original Equipment Manufacturer (O.E.M.) replacement parts. Failure to do so could be hazardous, damage your lawn mower and void your warranty.

HUSQVARNA ROTARY LAWN MOWER - MODEL NUMBER HU700L (MFG. ID. NO. 96143009703)



HUSQVARNA ROTARY LAWN MOWER - MODEL NUMBER HU700L (MFG. ID. NO. 96143009703)

KEY NO.	PART NO.	DESCRIPTION	KEY NO.	PART NO.	DESCRIPTION
1	581 95 05-05	Drive Control Assembly (Includes Cable)	30	532 19 17-30	Nut, Hex
4	532 19 74-80	O-Ring	31	532 40 48-45	Pawl, Drive
5	532 08 83-48	Washer, Flat	32	581 68 51-01	Wheel & Tire Assembly, Rear
9	581 95 21-01	Cable, Drive	33	532 40 91-48	Nut, Flangelock 3/8-16
10	532 43 27-90	Mounting Bracket, Drive Control	34	532 40 48-35	Pinion
12	532 40 65-57	Belt, Drive	35	532 43 11-38	Kit, Wheel Adjuster, Front, RH
13	581 68 08-01	Gear Case Assembly, Complete	36	532 43 11-39	Kit, Wheel Adjuster, Front, LH
14	532 19 41-28	Pulley, Drive	37	532 16 34-09	Screw, Hi-Lo Thread
15	581 49 79-04	Wheel Adjuster, Rear, RH	40	532 41 08-31	Wheel & Tire Assembly, Front
16	581 49 79-03	Wheel Adjuster, Rear, LH	41	532 43 84-89	Kit, Water Washout Assembly
18	532 70 10-37	Selector Knob	42	532 43 49-94	Fitting, Water Washout
20	580 80 69-01	Debris Shield	43	532 41 55-85	Washer, Lock, Internal Tooth
22	817 00 05-10	Bolt, Hex Head 5/16-18	44	532 41 55-86	Locknut, Hex, with O-Ring
25	581 31 38-02	Mounting Bracket, Debris Shield	55	581 35 13-01	Spring, Return
26	532 42 60-66	Belt Keeper	59	532 44 21-13	Support Bracket, Front Axle
27	532 06 77-25	Washer	61	532 18 16-98	Screw
28	812 00 00-58	E-Ring 7/16	84	532 41 64-05	Adapter, Quick-Connect
29	581 84 04-01	Cover, Dust, Wheel	86	580 36 43-01	Pulley, Idler
			87	581 12 76-01	Screw

5

NOTE: All component dimensions given in U.S. inches. 1 inch = 25.4 mm. **IMPORTANT:** Use only Original Equipment Manufacturer (O.E.M.) replacement parts. Failure to do so could be hazardous, damage your lawn mower and void your warranty.