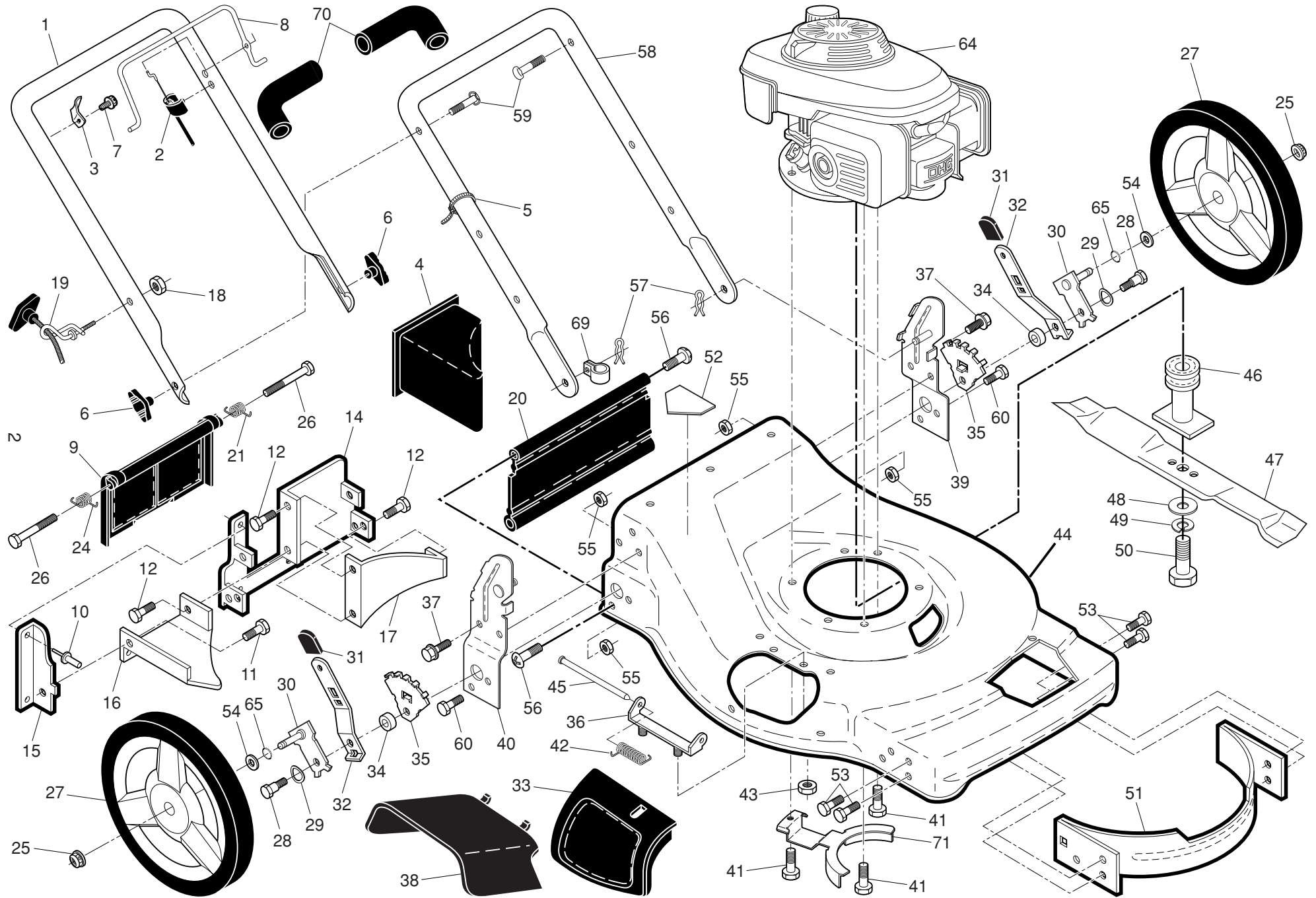


HUSQVARNA ROTARY LAWN MOWER - MODEL NO. HU700F (9614500601) PRODUCT NO. 961 45 00-06



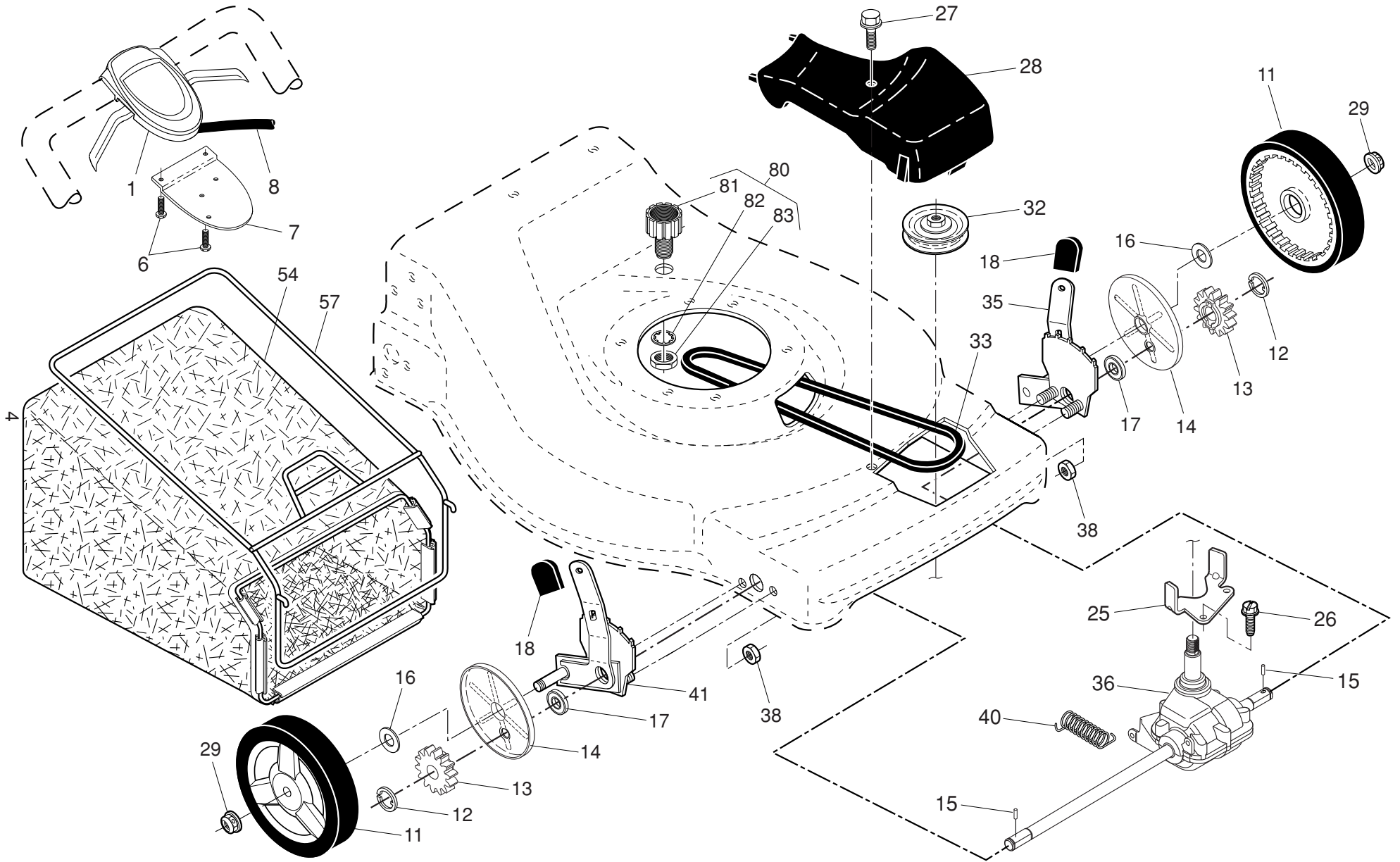
HUSQVARNA ROTARY LAWN MOWER - MODEL NO. HU700F (9614500601) PRODUCT NO. 961 45 00-06

3

KEY NO.	PART NO.	DESCRIPTION	KEY NO.	PART NO.	DESCRIPTION
1	532 42 76-58	Upper Handle	38	532 43 94-30	Discharge Deflector
2	532 41 53-50	Cable, Operator Presence	39	532 41 92-48	Handle Bracket Assembly, LH
3	532 43 00-34	Bracket, Upstop	40	532 41 92-51	Handle Bracket Assembly, RH
4	532 16 66-49	Mulcher Plug	41	532 15 04-06	Screw, Hex Head, Threaded, Rolled 3/8-16 x 1-1/8
5	532 06 64-26	Wire Tie	42	532 19 30-00	Spring, Torsion
6	532 44 50-19	Handle Knob	43	873 80 04-00	Nut, Hex, Nylock
7	532 17 88-48	Screw, Hex Washer Head #10-16 x 5/8	44	532 44 59-61	Kit, Mower Housing (Includes Key Numbers 14, 15 and 51)
8	532 44 75-82	Control Bar	45	532 17 56-50	Rod, Hinge
9	532 40 84-92	Rear Door Assembly	46	532 42 12-48	Blade Adapter / Pulley
10	532 12 84-15	Pop Rivet	47	532 40 67-13	Blade, 22"
11	532 15 00-50	Screw, Self-Tapping #10-24 x 5/8	48	532 85 10-74	Washer, Hardened
12	817 06 04-10	Screw, Hex Hex Head, Sems 1/4-20 x 1/2	49	532 85 02-63	Washer, Helical
14	532 19 70-76	Back Plate	50	532 85 10-84	Screw, Machine, Hex Head 3/8-24 x 1-3/8 Grade 8
15	532 41 13-34	Side Baffle	51	532 17 00-31	Kit, Front Baffle (Includes Key Number 53)
16	532 17 71-33	Discharge Baffle	52	532 40 47-63	Danger Decal
17	532 14 89-41	Rear Baffle	53	817 60 04-06	Screw, Serrated, TT 1/4-20
18	532 13 20-04	Keps Locknut 1/4-20	54	532 08 83-48	Washer, Flat
19	532 19 47-88	Rope Guide	55	873 93 06-00	Nut, Hex 3/8-16
20	532 41 31-60	Rear Skirt	56	532 08 86-52	Hinge Screw 1/4-20 x 1-1/4
21	532 40 54-21	Spring, Rear Door, LH	57	532 05 17-93	Hairpin Cotter
24	532 40 54-23	Spring, Rear Door, RH	58	532 43 97-19	Lower Handle
25	532 40 91-49	Nut, Hex, Flanged	59	532 19 15-74	Handle Bolt
26	532 18 41-93	Bolt, Rear Door	60	874 76 06-12	Screw 3/8-16 x 3/4
27	532 44 81-73	Wheel & Tire Assembly, Rear	64	- - -	Engine, Honda, Model Number GCV160-LAOS3A (order parts from Honda)
28	532 17 47-19	Bolt, Shoulder 3/8-16 x 1	65	532 19 74-80	O-Ring
29	532 40 16-30	Washer, Curved, Cylindrical	69	532 19 79-91	Clip, Cable
30	532 40 65-82	Axle Arm Assembly	70	532 18 27-48	Grip, Foam (2 pieces)
31	532 70 10-37	Selector Knob	71	532 43 50-59	Belt Keeper
32	532 40 98-89	Selector Spring	--	532 40 47-64	Warning Decal (not shown)
33	532 19 70-29	Mulcher Door	--	532 44 59-33	Operator's Manual, English / French
34	532 40 16-29	Spacer			
35	532 41 06-26	Wheel Adjusting Bracket			
36	532 17 57-35	Hinge Bracket Assembly			
37	532 42 88-67	Screw, Sems, Thread Cutting 5/16-18 x 3/4			

NOTE: All component dimensions given in U.S. inches. 1 inch = 25.4 mm. **IMPORTANT:** Use only Original Equipment Manufacturer (O.E.M.) replacement parts. Failure to do so could be hazardous, damage your lawn mower and void your warranty.

HUSQVARNA ROTARY LAWN MOWER - MODEL NO. HU700F (96145000601) PRODUCT NO. 961 45 00-06



HUSQVARNA ROTARY LAWN MOWER - MODEL NO. HU700F (96145000601) PRODUCT NO. 961 45 00-06

KEY NO.	PART NO.	DESCRIPTION	KEY NO.	PART NO.	DESCRIPTION
1	532 44 55-24	Drive Control Assembly (Includes Cable)	28	532 19 73-70	Drive Cover
6	532 18 16-98	Screw	29	532 40 91-48	Locknut, Hex
7	532 43 27-90	Mounting Bracket, Drive Control	32	532 44 32-62	Pulley, Drive
8	532 44 75-86	Cable, Drive Control	33	532 19 68-57	V-Belt
11	532 41 10-81	Wheel & Tire Assembly, Front	35	532 43 84-85	Kit, Wheel Adjuster, LH (Includes Knob and Bearing)
12	812 00 00-58	E-Ring	36	532 40 48-34	Gearcase Assembly, Complete
13	532 40 38-49	Pinion	38	873 80 04-00	Locknut 1/4-20
14	532 18 94-03	Dust Cover	40	532 40 65-58	Spring
15	532 40 48-45	Pawl, Drive	41	532 43 84-86	Kit, Wheel Adjuster, RH (Includes Knob and Bearing)
16	532 06 77-25	Washer, Flat 3/8	54	532 42 56-69	Grassbag Assembly
17	532 42 18-36	Bearing Assembly, Wheel Adjuster	57	532 41 19-52	Frame, Grassbag
18	532 70 10-37	Selector Knob	80	532 42 11-14	Water Washout Assembly
25	532 43 17-11	Belt Keeper	81	532 41 97-35	Fitting, Hose, Water Washout
26	532 16 34-09	Screw, Hi-Lo Thread	82	532 41 55-85	Washer, Lock, Internal Tooth
27	532 17 52-62	Screw, Pan Head, Self-Tapping #10-24 x 2-3/4	83	532 41 55-86	Locknut, Hex, with O-Ring

5

NOTE: All component dimensions given in U.S. inches. 1 inch = 25.4 mm. **IMPORTANT:** Use only Original Equipment Manufacturer (O.E.M.) replacement parts. Failure to do so could be hazardous, damage your lawn mower and void your warranty.