

# **Tanaka** Illustrated Parts Manual

Model Number:

**HTS-2530PF**

**30" HEDGETRIMMER**

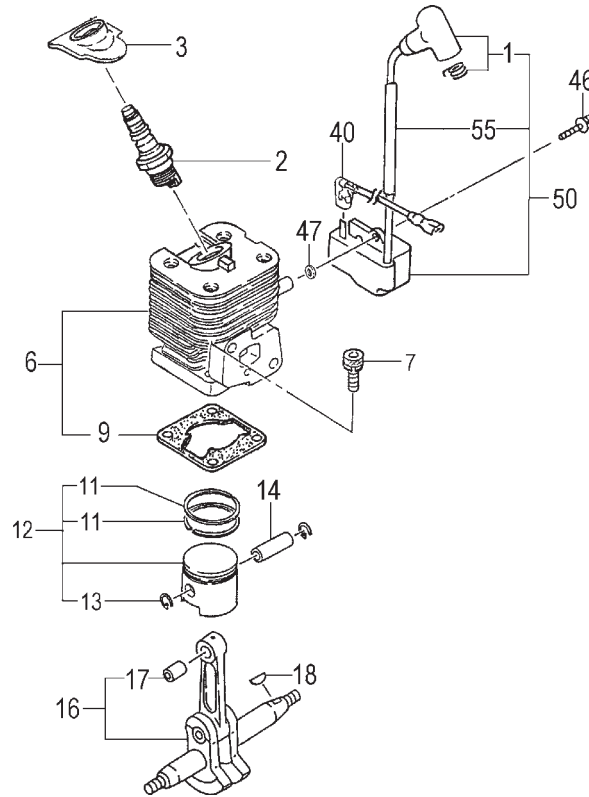
P/N 26607

Rev 000

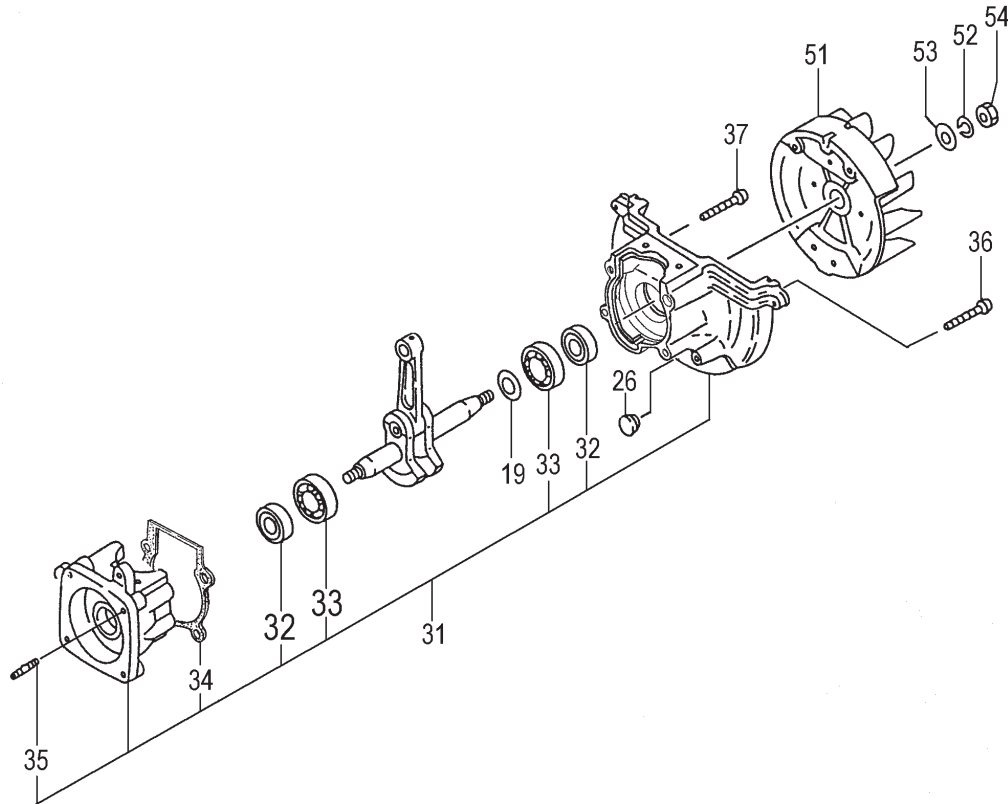
Date 07-14-08



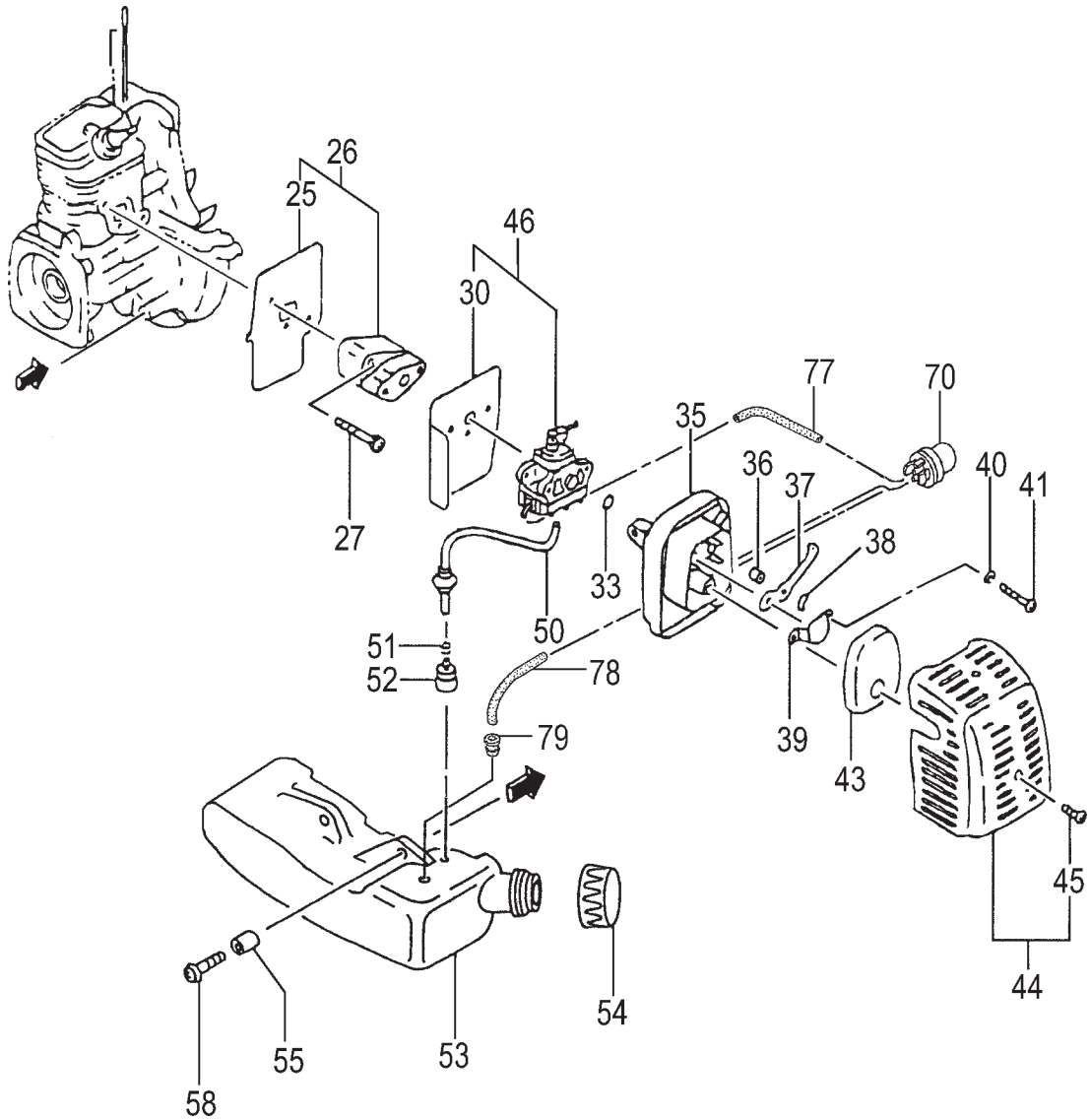
Nikko Tanaka Engineering U.S.A.,Ltd. • 1028 4<sup>th</sup> Street SW, Bldg B • Auburn, WA 98001 • Phone: (253) 333-1200 • Fax: (253) 333-1212



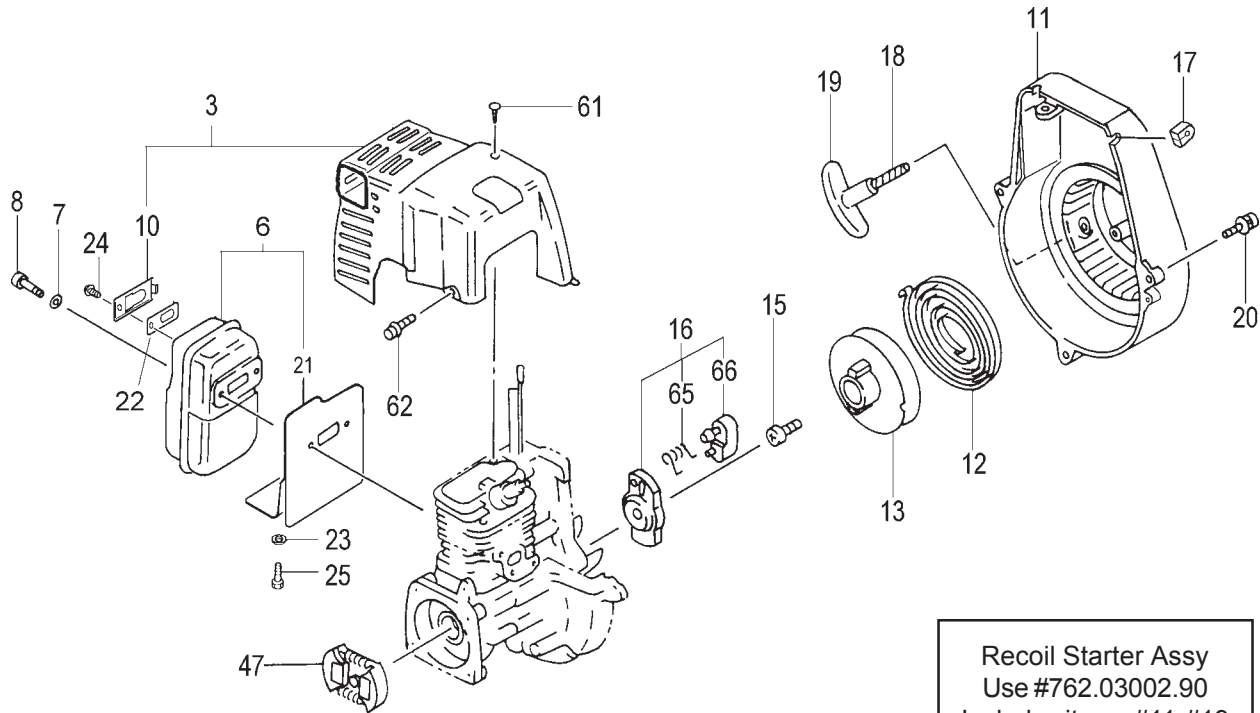
ITEM	PART NUMBER	DESCRIPTION	QTY	COMMENTS
1-1	1570168090	CAP, SPARK PLUG ASS'Y	1	
1-2	0181166021	PLUG, SPARK	1	
1-3	2550168020	COVER, SPARK PLUG, RUBBER	1	
1-6	0010300290	SET, CYLINDER	1	Includes cylinder gasket
1-7	99461050184	BOLT, HEX, 5X18, S	4	
1-9	0170300220	GASKET, CYLINDER	1	
1-11	04101601200	RING, PISTON	2	
1-12	0300300290	SET, PISTON	1	Includes rings, and circlips
1-13	03900000201	CIRCLIP, PISTON PIN	2	
1-14	03701700200	PIN, PISTON	1	
1-16	0460300280	CRANKSHAFT	1	
1-17	99962091325	BEARING, NEEDLE, F-910	1	
1-18	06810100200	KEY, WOODRUFF, 3X13X4.5	1	
1-40	1780300280	CORD, B, 140M	1	
1-46	99416040186	SCREW, WS, 4X18	2	
1-47	1820186A201	WASHER, SPECIAL	2	
1-50	1672174390	COIL, IGNITION ASS'Y	1	
1-55	2500168020	TUBE, INSULATOR	1	



ITEM	PART NUMBER	DESCRIPTION	QTY	COMMENTS
2-19	33000200210	SHIM, 12.2X19X 10	V	Shims are "as needed" to obtain correct side clearance
2-19	33000200220	SHIM, 12.2X19X 15	V	
2-19	33000200230	SHIM, 12.2X19X 20	V	
2-19	33000200240	SHIM, 12.2X19X 30	V	
2-26	2030300220	GROMMET	1	Crankcase assy includes bearings, seals and gasket.
2-31	0720300290	CRANKCASE	1	
2-32	99966122240	SEAL, OIL, #12227	2	
2-33	99961600100	BEARING, BALL, #6001	2	
2-34	0900300220	GASKET, CRANKCASE	1	
2-35	10002100200	BOLT, STUD, 6X22	2	
2-36	99414050301	SCREW, 5X30/S	2	
2-37	99414050451	SCREW, 5X45/S	2	
2-51	1552174480	MAGNETO	1	
2-52	99210080012	WASHER, S, 8	1	
2-53	99201080011	WASHER, 8	1	
2-54	99101080011	NUT, 8	1	
2-55	2500168020	TUBE, INSULATOR	1	

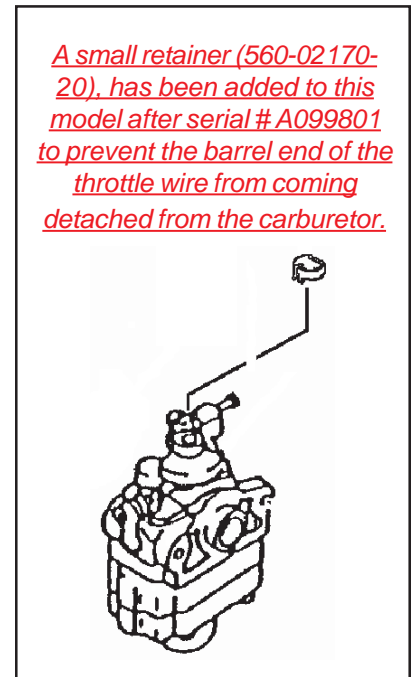
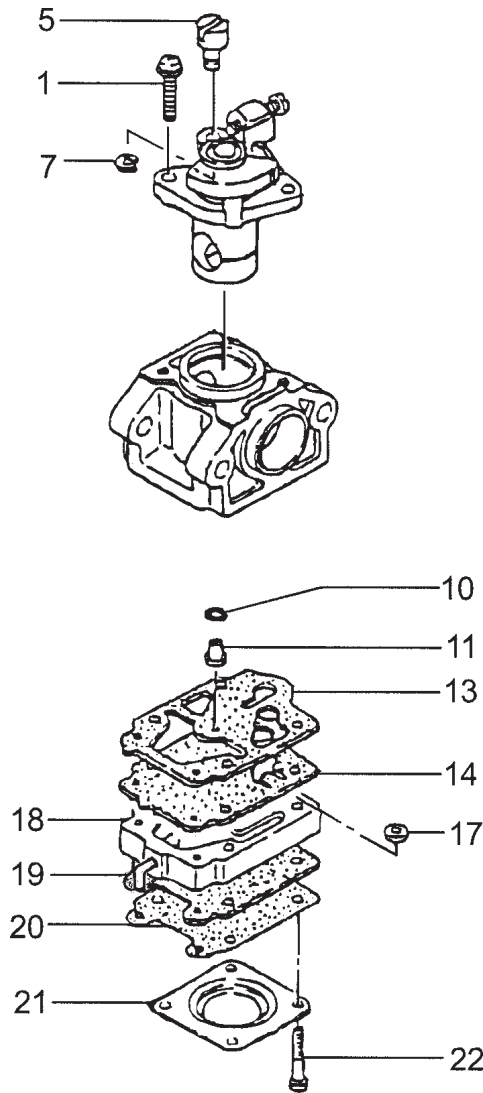


ITEM	PART NUMBER	DESCRIPTION	QTY	COMMENTS
3-25	4030300220	GASKET,INTAKE	1	
3-26	4040300290	SET,INSULATOR	1	
3-27	99416050241	SCREW 5x24WS	2	
3-30	4020300220	GASKET,CARBURETOR	1	
3-33	99967015000	O-RING,P15	1	
3-35	4230650081	BODY,CLEANER	1	
3-36	47006500200	COLLAR	2	
3-37	5280300220	VALVE,CHOKE	1	
3-38	99204080030	WASHER,8	1	
3-39	47601700200	BOARD,BLOW OVER CHECK	1	
3-40	99210050012	WASHER,S,5	2	
3-41	99011050602	SCREW,5X60	2	
3-43	4460650020	ELEMENT,CLEANER	1	
3-44	4520650091	COVER,CLEANER,W/BOLT	1	
3-45	3800637C200	BOLT,CLEANER COVER	1	
3-46	4550300290	SET,CARBURETOR	1	
3-50	2230700090	SHIELD,TUBE	1	
3-51	68000731201	CLIP 6.3	1	
3-52	6750404280	FILTER,FUEL	1	
3-53	5910300520	TANK,FUEL	1	
3-54	5950300290	CAP,TANK	1	
3-55	65900801200	COLLAR	2	
3-58	99463050185	BOLT,HEX 5X18PS	2	
3-70	44225143800	PUMP,PRIMING ASS'Y	1	
3-77	7000250408	PIPE,FUEL,2.5x4x80	1	
3-78	7000250407	PIPE,FUEL,2.5x4x70	1	
3-79	53432710200	GROMMET,FUEL PIPE	1	

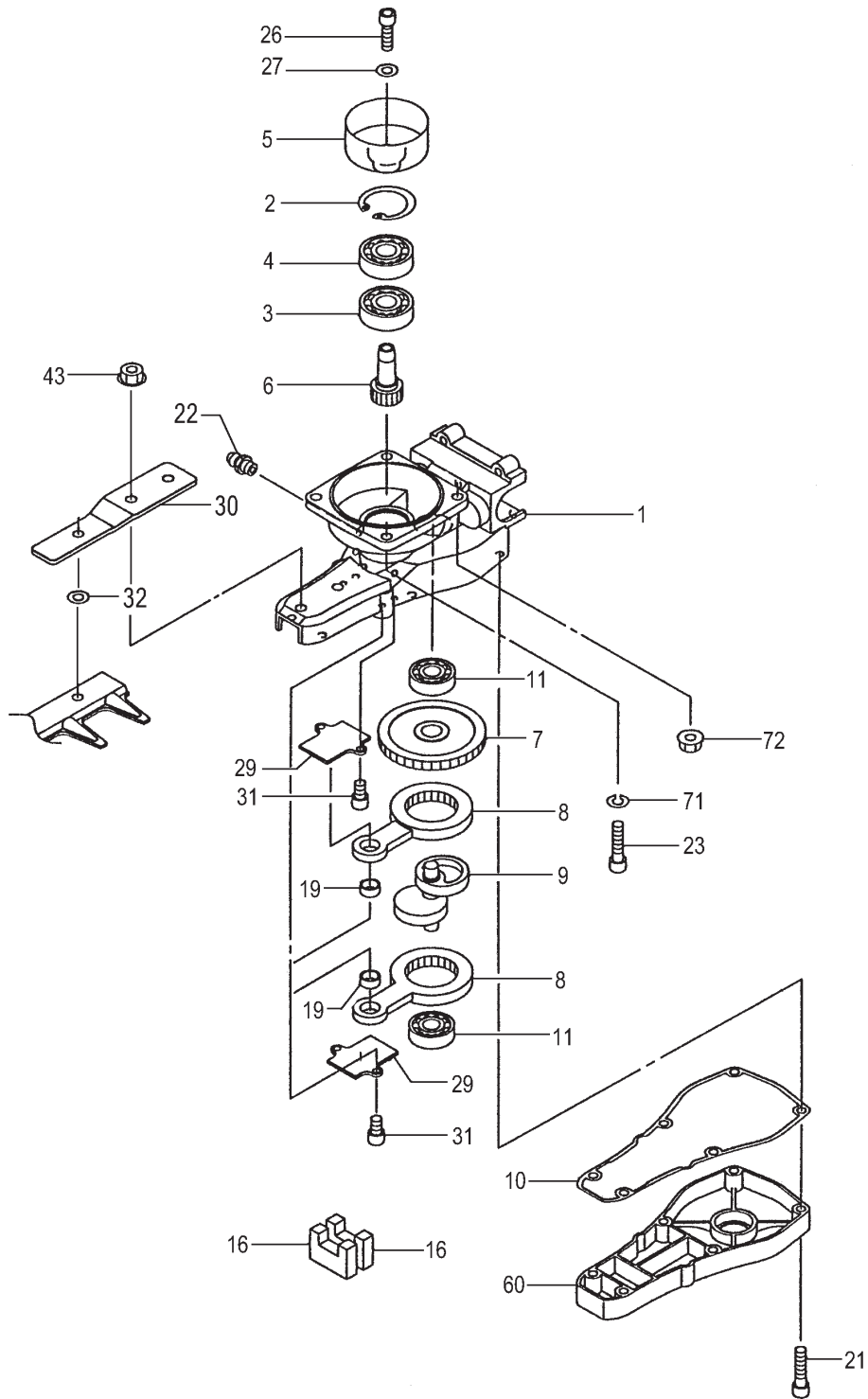


Recoil Starter Assy  
Use #762.03002.90  
Includes items #11-#19

ITEM	PART NUMBER	DESCRIPTION	QTY	COMMENTS
4-3	7210300300	SET, TAIL PIPE, COVER	1	See Bulletin # PI 3121
4-6	7040300290	SET, MUFFLER	1	See Bulletin # PI 3121
4-7	99201060011	WASHER, 6	2	
4-8	99053060553	SCREW, HEX. HOLE	2	
4-10	7210300320	PIPE, TAIL	1	See Bulletin # PI 3121
4-11	1120300280	CASE, FAN	1	
4-12	78006097200	SPRING, RECOIL	1	
4-13	77406097200	PULLEY, STARTER	1	
4-15	8390201020	SCREW, SET	1	
4-16	79806500900	PULLEY, STARTER, ASS'Y	1	
4-17	20306000200	GROMMET, PRIMARY CORD	1	
4-18	78306097200	ROPE, STARTER	1	
4-19	78506410200	HANDLE, STARTER	1	
4-20	99415040162	SCREW, PS, 4X16	3	
4-21	7350300281	SHIELD, HEAT	1	
4-22	7320440020	ARRESTER, SPARK	1	
4-23	99201050011	WASHER, 5	1	
4-24	99435040081	SCREW, 4X8PS	1	
4-25	99414050081	SCREW, 5X8, S	1	
4-47	2770634F900	CLUTCH, ASS'Y	1	
4-61	99073045104	SCREW, TAPPING, 4.5X10	1	
4-62	99425040128	BOLT, PS, 4X12	2	
4-65	79006097200	SPRING, STARTER PAWL	1	
4-66	7880650020	PAWL, STARTER	1	

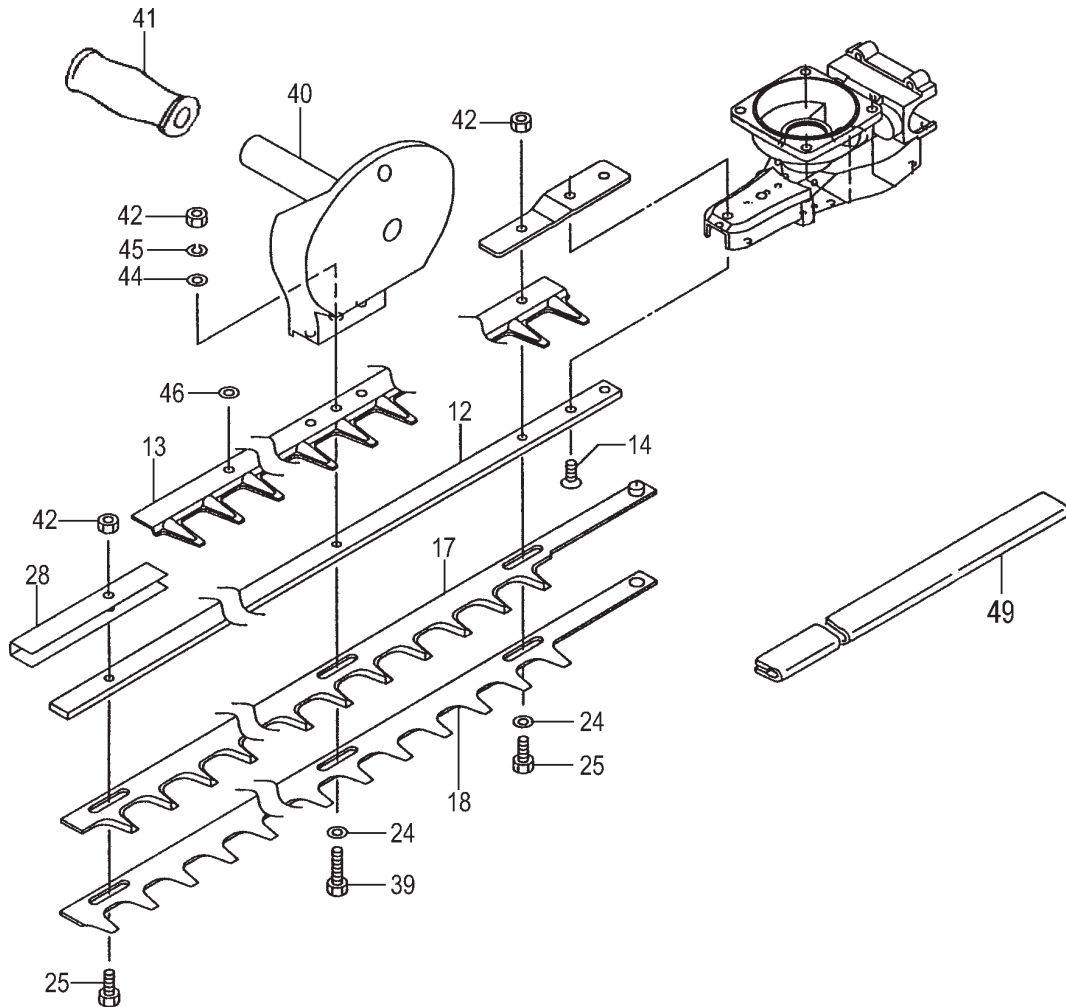


ITEM	PART NUMBER	DESCRIPTION	QTY	COMMENTS
5-0	4550300290	SET, CARBURETOR	1	Carburetor set includes gasket
5-1	54825140200	SCREW, THROTTLE SET	2	
5-5	53925120200	SWIVEL	1	Carburetor Repair Kit - 650-25140-900
5-7	48925100200	RING, STOP	1	Gasket / Diaphragm Kit - 652-25140-900
5-10	55025100200	O-RING	1	
5-11	5992001W34	JET, MAIN, #34	1	~ Contained in Carb Kits
5-13	~ ~ ~	GASKET, PUMP	1	
5-14	~ ~ ~	DIAPHRAGM, PUMP	1	
5-17	~ ~ ~	SCREEN, INLET	1	
5-18	5752522580	BODY, PUMP	1	
5-19	~ ~ ~	GASKET, DIAPHRAGM	1	
5-20	~ ~ ~	DIAPHRAGM, METERING	1	
5-21	47625004200	COVER, DIAPHRAGM	1	
5-22	54825101200	SCREW, SET	4	

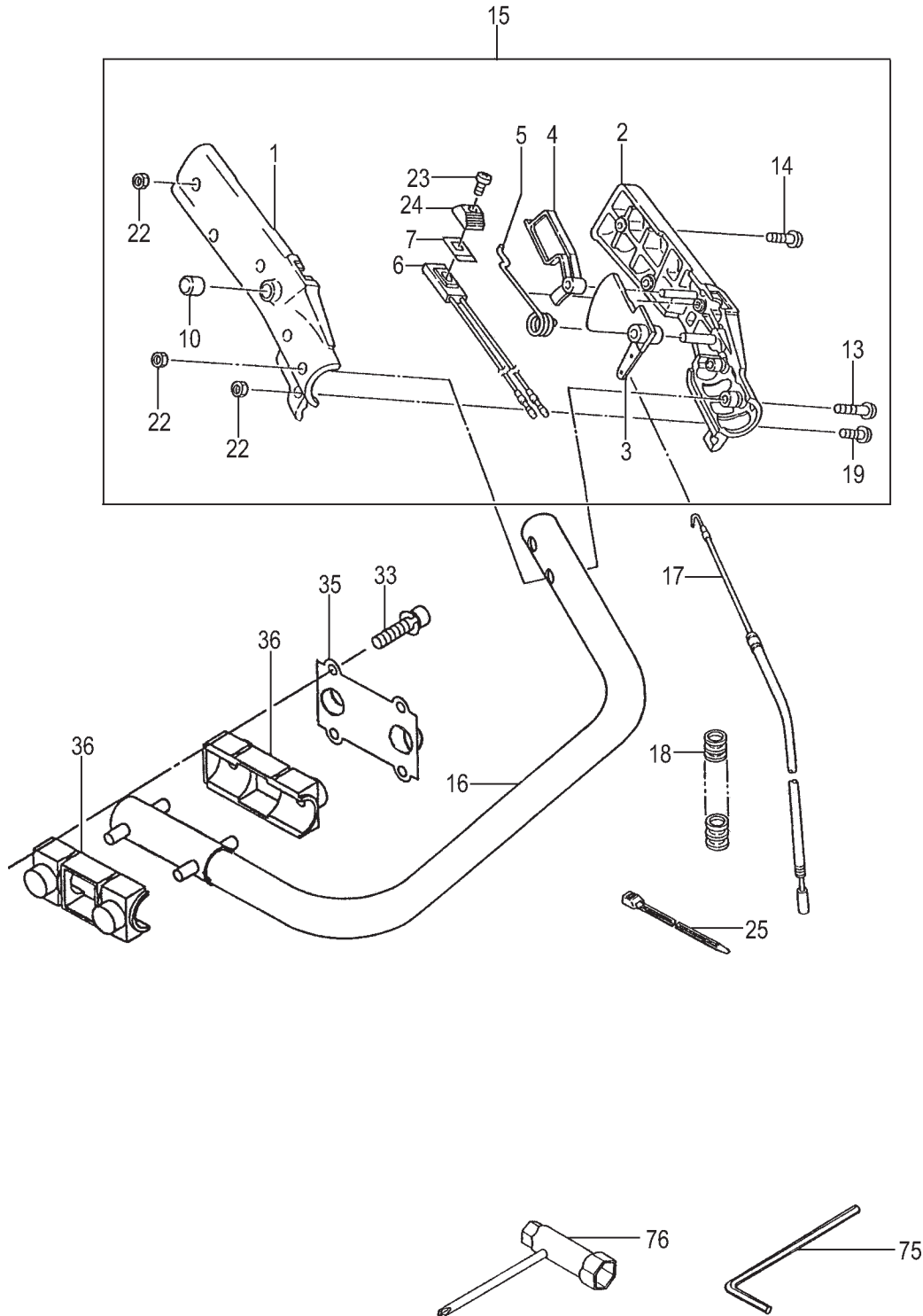




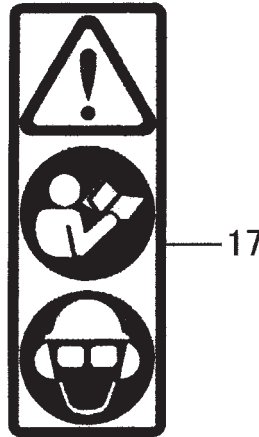
ITEM	PART NUMBER	DESCRIPTION	QTY	COMMENTS
6-1	3003318520	CASE, GEAR A	1	
6-2	99351026002	RING, STOP, IN, C-26	1	
6-3	99961600000	BEARING, BALL, #6000	1	
6-4	99961600002	BEARING, BALL, #6000Z	1	
6-5	2883318580	HOUSING, CLUTCH	1	
6-6	3063318520	GEAR 1	1	
6-7	3073318520	GEAR 2	1	
6-8	1013318580	ROD, CAM	2	
6-9	1003318520	SHAFT, CAM	1	
6-10	3033318520	GASKET, GEAR CASE	1	
6-11	99961608000	BEARING, BALL, #608	2	
6-16	0853318520	SEAL, GREASE A	2	
6-19	2473318520	COLLAR	2	
6-21	99461050254	BOLT, HEX HOLE, 5X25S	6	
6-22	30032250801	FITTING, GREASE	1	
6-23	99051060183	BOLT, HEX HOLE, 6X18	2	
6-26	99053060153	BOLT, HEX, 6X15	1	
6-27	99200060011	WASHER, SMALL, 6	1	
6-29	0703318520	PLATE, FIXING	2	
6-30	4623318520	PLATE, SUPPORT	1	
6-31	99051040083	BOLT, HEX HOLE 4X8	4	
6-32	87132600200	WASHER, SPECIAL, B	1	
6-43	99440060011	NUT, SPRING 6	2	
6-60	3013318520	CASE, GEAR B	1	
6-71	99210060012	WASHER, S, 6	2	
6-72	99440060011	NUT, SPRING 6	2	



ITEM	PART NUMBER	DESCRIPTION	QTY	COMMENTS
7-12	1223318720	GUIDE,CUTTER 30"	1	~A302050
7-12	1223328520	GUIDE,CUTTER 30"	1	A302051~
7-13	1363318120	PLATE,PROTECTION	1	
7-14	99052060253	SCREW,HEX HOLE 6X25	2	
7-17	1213318720	BLADE,B,SS,30"	1	
7-18	1203318720	BLADE,A,SS,30"	1	
7-24	12933202201	WASHER,7	4	
7-25	1243320221	BOLT,CUTTER FIXING,A	4	~A302050
7-25	1243228720	BOLT,FIXING,A	4	A302051~
7-28	1283790420	HOLDER,BLADE	1	
7-39	12533202205	BOLT,CUTTER FIXING B	1	
7-40	0513318581	HANDLE,B	1	
7-41	1653759020	GRIP,HANDLE	1	
7-42	1233317A20	NUT,CUTTER FIXING	5	~A302050
7-42	40927	NUT,CUTTER FIXING	5	A302051~
7-44	99201060011	WASHER,6	1	
7-45	99210060012	WASHER,S,6	1	
7-46	99201060011	WASHER,6	3	
7-49	1383321520	COVER,30"	1	



ITEM	PART NUMBER	DESCRIPTION	QTY	COMMENTS
8-1	0533323122	GRIP,HANDLE"A"	1	
8-2	0543323123	GRIP,HANDLE"B"	1	
8-3	23033210201	LEVER,THROTTLE	1	
8-4	23133210200	LEVER,SAFETY	1	
8-5	06132600201	SPRING,THROTTLE LEVER	1	
8-6	1703318980	SWITCH,STOP	1	
8-7	9253253020	DECAL,STOP BUTTON	1	
8-10	7653212020	CAP	1	
8-13	99416040301	SCREW 4 X 30 / WS	2	
8-14	99416040251	SCREW,4X25/WS	1	
8-15	0553318990	HANDLE ASSY	1	
8-16	0503318580	HANDLE A	1	
8-17	8850650J80	WIRE,THROTTLE	1	
8-18	1641001500	TUBE,PROTECTION	1	
8-19	99416040161	SCREW 4 X 16 /WS	3	
8-22	99178040010	NUT,LOCK 4	6	
8-23	99011030101	SCREW,3X10	1	
8-24	2581165020	BUTTON,STOP	1	
8-25	19833130200	CLAMP,CORD	1	
8-33	99461050124	BOLT,HEX,5X12S	4	
8-35	0583318520	BRACKET,HANDLE	1	
8-36	0603318520	RUBBER,HANDLE DAMPER	2	
8-75	81320000200	WRENCH,HEX,4	1	
8-76	03629331501	SPANNER,COMBI	1	



ITEM	PART NUMBER	DESCRIPTION	QTY	COMMENTS
9-1	9060300521	DECAL,MODEL,HTS-2530PF	1	
9-17	9203246620	DECAL,CAUTION	1	

**Date:** June 2001

**Model & Serial:** THT-2100/THT-2120/THT-2510/THT-2520/THT-2540/HTD-2522PF/HTD-2526PF/HTD-2530PF/HTS-2530PF.

All units produced after serial number W100101.

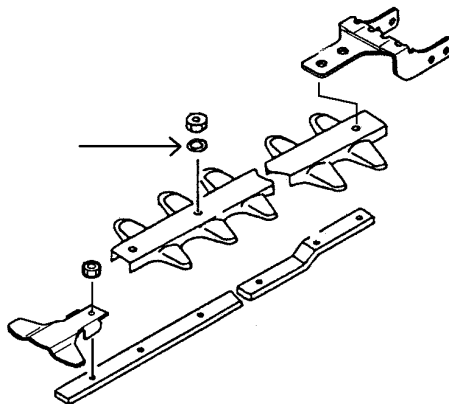
**Reason:** When these units are fitted with the aluminum safety shield, some experience loosening of the blade jam nuts. A flat washer has been added between the nut and the aluminum shield to help prevent the nut from becoming loose.

Models THT-2100, 2120, 2510 and HTD-2526PF, 2522PF require 3 washers.

Models THT-2520, 2540 and HTS-2530PF and HTD-2530PF require 2 washers

**Part Number Changes:**

Old Part #	New Part #	Description	Remarks
992-01060-011		Washer	



**Date:** January, 2002

**Model & Serial:** All THT, HTD, HTS, TPH hedgetrimmer models.

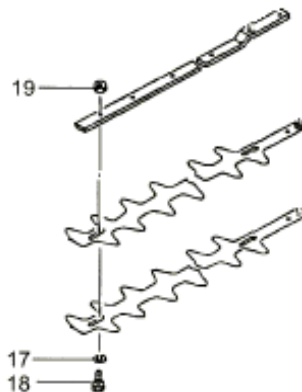
All units after serial number Y004401

**Reason:** All future production of hedgetrimmer models will utilize a blade-retaining nut that is of the locking variety. These nuts are oblong on one side to prevent loosening during use, but can be removed and re-installed without losing their locking ability.

When adjusting blade-fastening hardware, thread the bolt (18) through the blades and guide bar from the bottom, to a point where the flat washer (17), is still able to rotate, (usually to seat, and then backed off between 1/4 and 1/2 revolution). Then install the lock nuts on the topside, tightening them while holding the bolt in place. Tighten all nuts, and then re-check for adjustment prior to operation. A lubricating agent, such as WD-40 should also be used to prevent sap build-up and premature wear.

**Part Number Changes:**

Old Part #	New Part #	Description	Remarks
123-33202-200	123-3317A-20	Lock Nut	Reference #19



**Date:** September 2002

**Model & Serial:** HTD-2522PF / 2526PF / 2530PF / HTS-2530PF

All units after serial number Y210151

**Reason:** Exhaust gas flow from these models in some circumstances can cause scorching of leaves during cutting due to the direction of the tail pipe outlet.

The direction of flow from the muffler has been re-directed to exit horizontally rather than vertically.

New style components should be ordered via the set listed below when these parts are replaced.

**Part Number Changes:**

<b>Old Part #</b>	<b>New Part #</b>	<b>Description</b>	<b>Remarks</b>
721-04400-20	721-03003-20	Tail Pipe	
738-03002-20	738-03003-21	Muffler Protector	
	721-03003-00	Muffler Protector Set	Includes Re-Directed Tail Pipe



**Date:** December 2004

**Model & Serial:** TPH-210/2501/250PF270PF – A290201 and later.  
HTD-2522PF/2526PF/2530PF, HTS-2530PF/2540PF – A302051 and later.  
THT-2120/2520/2540 – A302051 and later.

**Reason:** Configuration standardization of hardware, converting blade hardware from US Standard thread to Metric thread.

**Comments:** Please verify serial number on unit prior to ordering replacement blade hardware and add the support plate on older serial numbers.

**Part Number Changes:**

Description	Old parts #	New parts #	Comments
<b>For TPH-210/2501/250PF/270PF</b>			
Cutter guide 625.5L M6	122-32287-21	122-32286-21	
Cutter fixing bolt A	124-33202-21	124-32287-20	4 to 1 pc
Cutter fixing bolt B		125-32287-20	3 pcs
Flange nut M6	123-3317A-20	991-82060-001	4 pcs
<b>For HTD-2522PF</b>			
Cutter guide 625.5L M6	122-33160-21	122-33178-20	
Cutter fixing bolt A	124-33202-21	124-32287-20	
Flange nut M6	123-3317A-20	991-82060-001	
Protection plate 390L	136-33160-20		
Washer 6	992-01060-011		3 pcs
<b>For THT-2120/HTD-2526PF</b>			
Cutter guide 734L M6	122-33168-21	122-33248-20	
Cutter fixing bolt A	124-33202-21	124-32287-20	
Flange nut M6	123-3317A-20	991-82060-001	
Protection plate 390L	136-33160-20		
Washer 6	992-01060-011		3 pcs
<b>For HTS-2530PF</b>			
Cutter guide 830L M6	122-33187-20	122-33285-20	
Cutter fixing bolt A	124-33202-21	124-32287-20	
Flange nut M6	123-3317A-20	991-82060-001	
Protection plate 585L	136-33181-20		
Washer 6	992-01060-011	3 to 1 pc	
<b>For THT-2520/HTD-2530PF</b>			
Cutter guide 845.5L M6	122-33190-21	122-33191-20	
Cutter fixing bolt A	124-33202-21	124-32287-20	
Flange nut M6	123-3317A-20	991-82060-001	
protection plate 380L	136-33190-20		
Washer 6	992-01060-011		2 pcs
<b>For THT-2540/HTS-2540PF</b>			
Cutter guide 1105L M6	122-33185-20		
Cutter fixing bolt A	124-33202-21	124-32287-20	
Flange nut M6	123-3317A-20	991-82060-001	
Protection plate 585L	136-33181-20		
Washer 6	992-01060-011	3 to 1 pc	