

Tanaka Illustrated Parts Manual

Model Number:

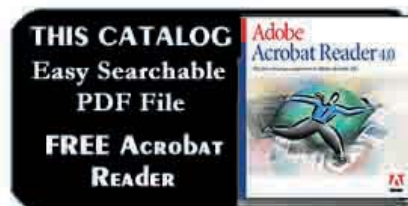
HTD-2522PF

22" DOUBLE-SIDED HEDGETRIMMER

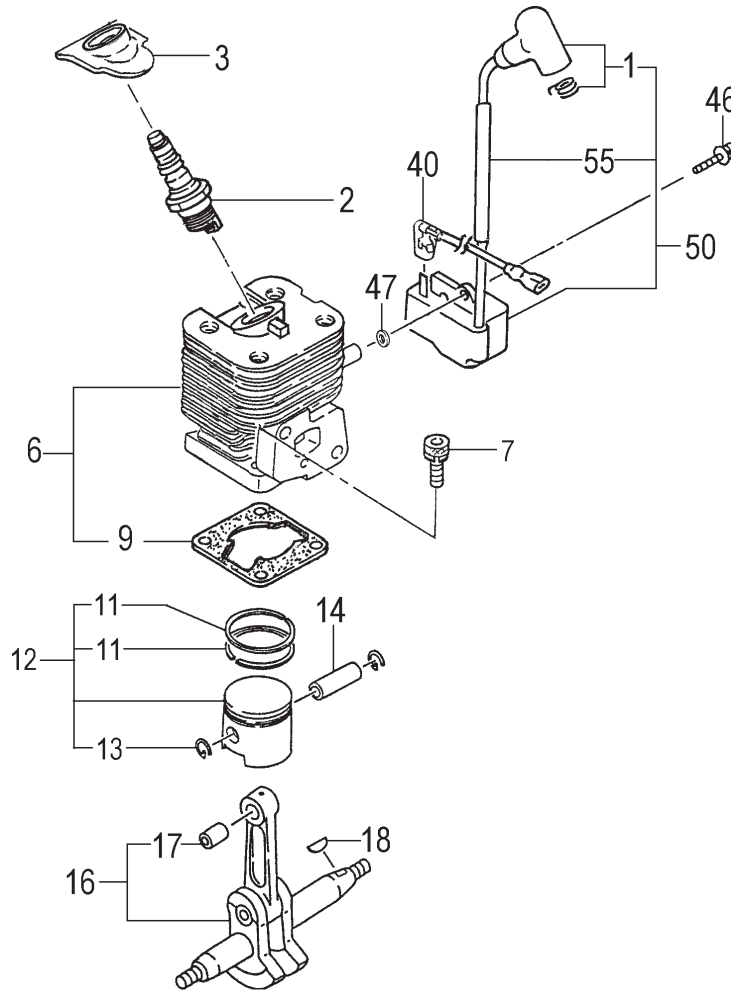
P/N 30216

Rev 000

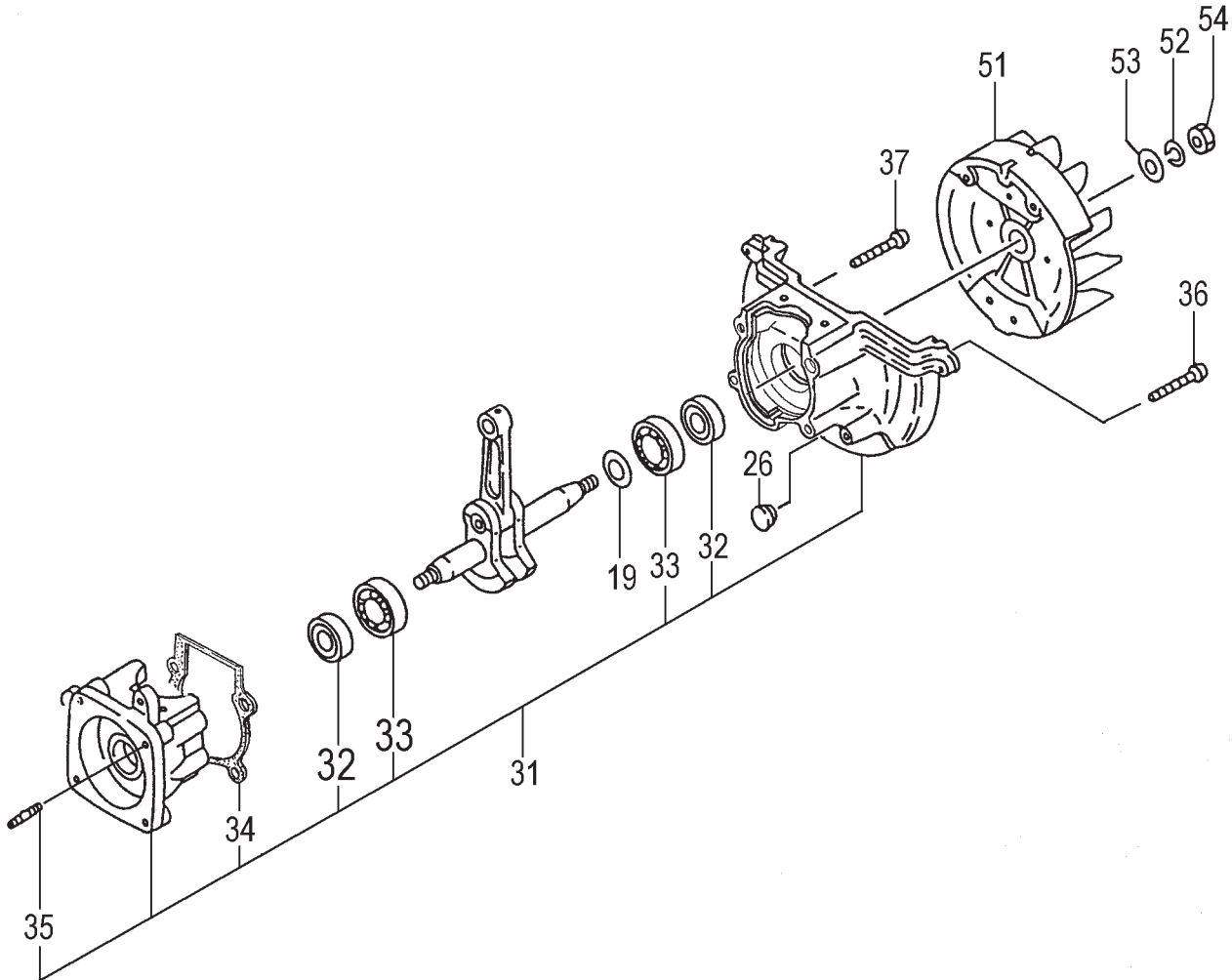
Date 10-24-07



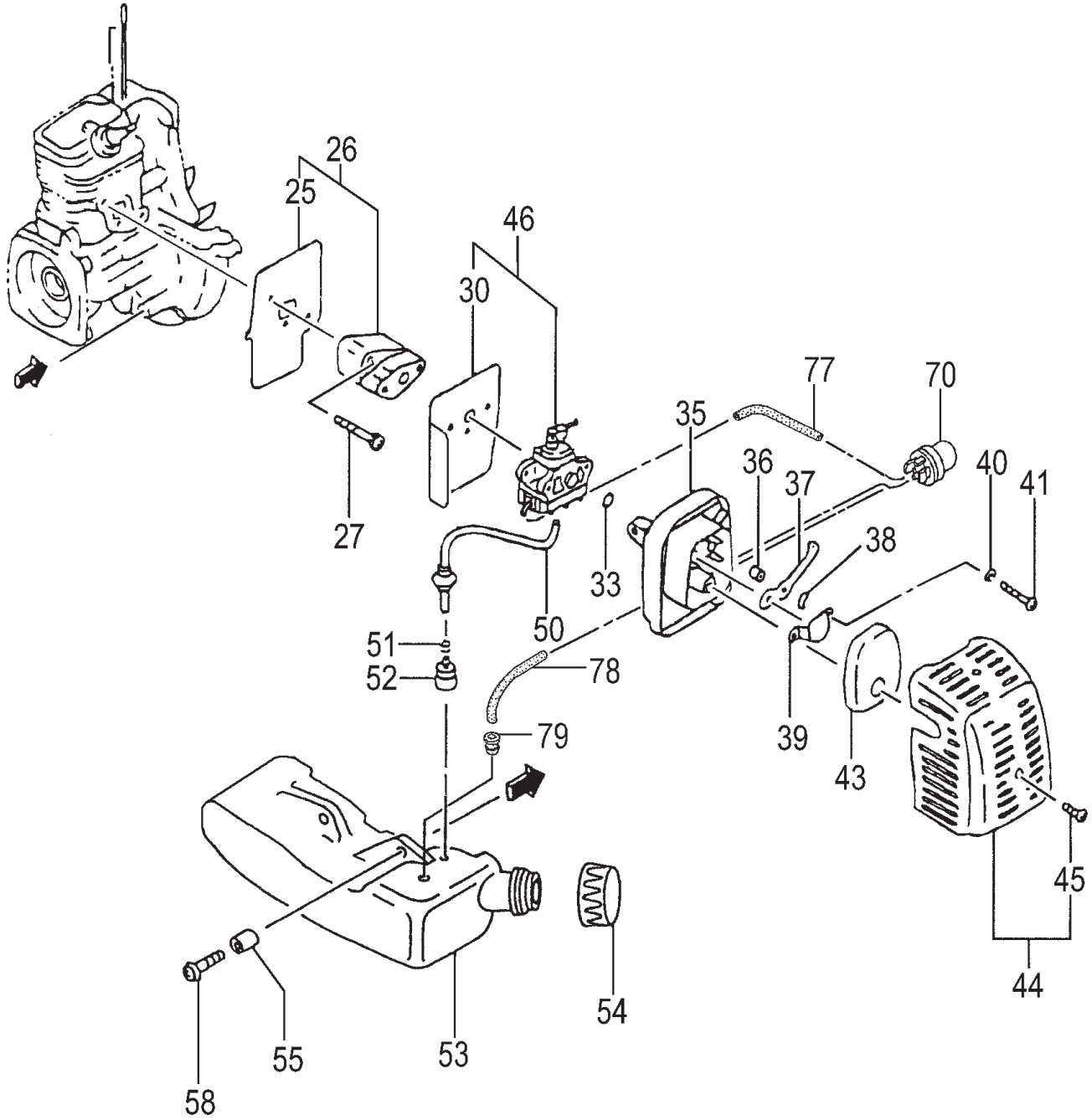
Nikko Tanaka Engineering U.S.A.,Ltd. • 1028 4th Street SW, Bldg B • Auburn, WA 98001 • Phone: (253) 333-1200 • Fax: (253) 333-1212



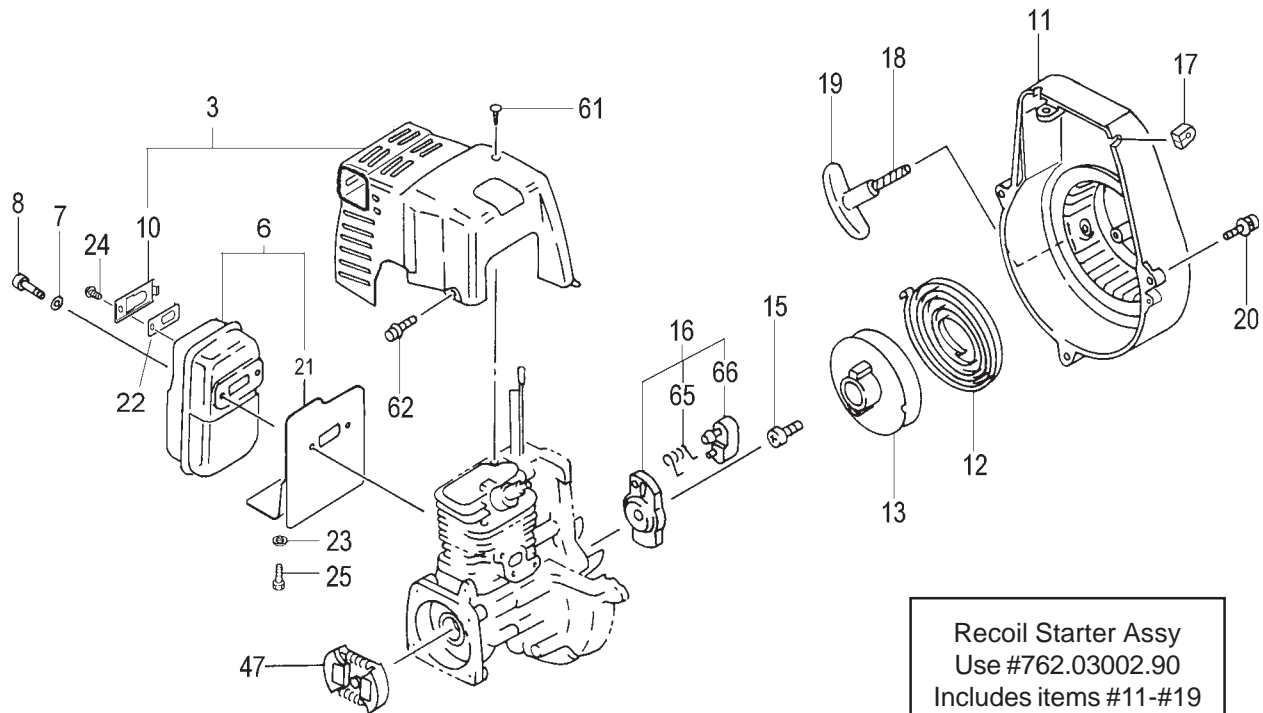
| ITEM | PART NUMBER | DESCRIPTION | QTY | COMMENTS |
|------|-------------|---------------------------|-----|----------|
| 1-1 | 1570168090 | CAP, SPARK PLUG ASS'Y | 1 | |
| 1-2 | 0181166021 | PLUG, SPARK | 1 | |
| 1-3 | 2550168020 | COVER, SPARK PLUG, RUBBER | 1 | |
| 1-6 | 0010300290 | SET, CYLINDER | 1 | |
| 1-7 | 99461050184 | BOLT, HEX, 5X18, S | 4 | |
| 1-9 | 0170300220 | GASKET, CYLINDER | 1 | |
| 1-11 | 04101601200 | RING, PISTON | 2 | |
| 1-12 | 0300168090 | PISTON SET | 1 | |
| 1-13 | 03900000201 | CIRCLIP, PISTON PIN | 2 | |
| 1-14 | 03701700200 | PIN, PISTON | 1 | |
| 1-16 | 0460300280 | CRANKSHAFT | 1 | |
| 1-17 | 99962091325 | BEARING, NEEDLE, F-910 | 1 | |
| 1-18 | 06810100200 | KEY, WOODRUFF, 3X13X4.5 | 1 | |
| 1-40 | 1780300280 | CORD, B, 140M | 1 | |
| 1-46 | 99464040184 | BOLT, HEX, 4X18WS | 2 | |
| 1-47 | 1820186A201 | WASHER, SPECIAL | 2 | |
| 1-50 | 1672174390 | COIL, IGNITION ASS'Y | 1 | |
| 1-55 | 2500168020 | TUBE, INSULATOR | 1 | |



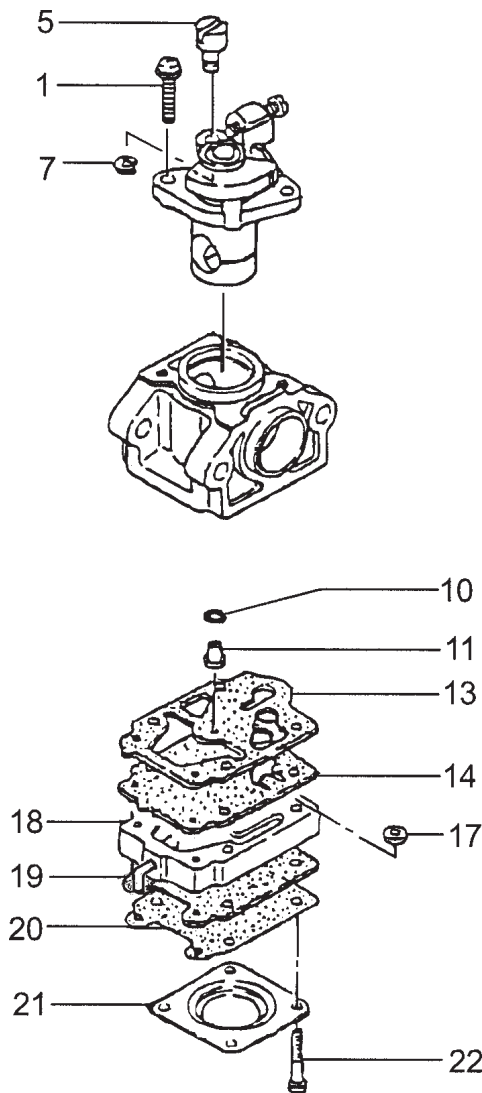
| ITEM | PART NUMBER | DESCRIPTION | QTY | COMMENTS |
|------|-------------|--------------------|-----|--|
| 2-19 | 33000200210 | SHIM,12.2X19X.10 | 1 | Shims are "as needed" to obtain correct side clearance |
| 2-19 | 33000200220 | SHIM,12.2X19X.15 | 1 | |
| 2-19 | 33000200230 | SHIM,12.2X19X.20 | 1 | |
| 2-19 | 33000200240 | SHIM,12.2X19X.30 | 1 | |
| 2-26 | 2030300220 | GROMMET | 1 | |
| 2-31 | 0720300290 | CRANKCASE | 1 | Crankcase assy includes bearings, seals and gasket |
| 2-32 | 99966122240 | SEAL,OIL,#12227 | 2 | |
| 2-33 | 99961600100 | BEARING,BALL,#6001 | 2 | |
| 2-34 | 0900300220 | GASKET,CRANKCASE | 1 | |
| 2-35 | 10002100200 | BOLT,STUD,6X22 | 2 | |
| 2-36 | 99414050301 | SCREW,5X30/S | 2 | |
| 2-37 | 99414050451 | SCREW,5X45/S | 2 | |
| 2-51 | 1552174480 | MAGNETO | 1 | |
| 2-52 | 99210080012 | WASHER,S,8 | 1 | |
| 2-53 | 99201080011 | WASHER,8 | 1 | |
| 2-54 | 99101080011 | NUT,8 | 1 | |



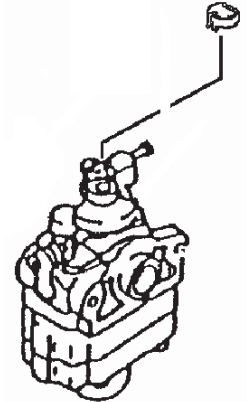
| ITEM | PART NUMBER | DESCRIPTION | QTY | COMMENTS |
|------|-------------|-----------------------|-----|----------|
| 3-25 | 4030300220 | GASKET,INTAKE | 1 | |
| 3-26 | 4040300290 | SET,INSULATOR | 1 | |
| 3-27 | 99416050241 | SCREW 5x24WS | 2 | |
| 3-30 | 4020300220 | GASKET,CARBURETOR | 1 | |
| 3-33 | 99967015000 | O-RING,P15 | 1 | |
| 3-35 | 4230650081 | BODY,CLEANER | 1 | |
| 3-36 | 47006500200 | COLLAR | 2 | |
| 3-37 | 5280300220 | VALVE,CHOKE | 1 | |
| 3-38 | 99204080030 | WASHER,8 | 1 | |
| 3-39 | 47601700200 | BOARD,BLOW OVER CHECK | 1 | |
| 3-40 | 99210050012 | WASHER,S,5 | 2 | |
| 3-41 | 99011050602 | SCREW,5X60 | 2 | |
| 3-43 | 4460650020 | ELEMENT,CLEANER | 1 | |
| 3-44 | 4520650091 | COVER,CLEANER,W/BOLT | 1 | |
| 3-45 | 3800637C200 | BOLT,CLEANER COVER | 1 | |
| 3-46 | 4550300290 | SET,CARBURETOR | 1 | |
| 3-50 | 2230700090 | SHIELD,TUBE | 1 | |
| 3-51 | 68000731201 | CLIP 6.3 | 1 | |
| 3-52 | 6750404280 | FILTER,FUEL | 1 | |
| 3-53 | 5910300220 | TANK,FUEL | 1 | |
| 3-54 | 5950300290 | CAP,TANK (BLACK/RED) | 1 | |
| 3-55 | 65900801200 | COLLAR | 2 | |
| 3-58 | 99463050185 | BOLT,HEX 5X18PS | 2 | |
| 3-70 | 44225143800 | PUMP,PRIMING ASS'Y | 1 | |
| 3-77 | 7000250408 | PIPE,FUEL,2.5x4x80 | 1 | |
| 3-78 | 7000250407 | PIPE,FUEL,2.5x4x70 | 1 | |
| 3-79 | 53432710200 | GROMMET,FUEL PIPE | 1 | |



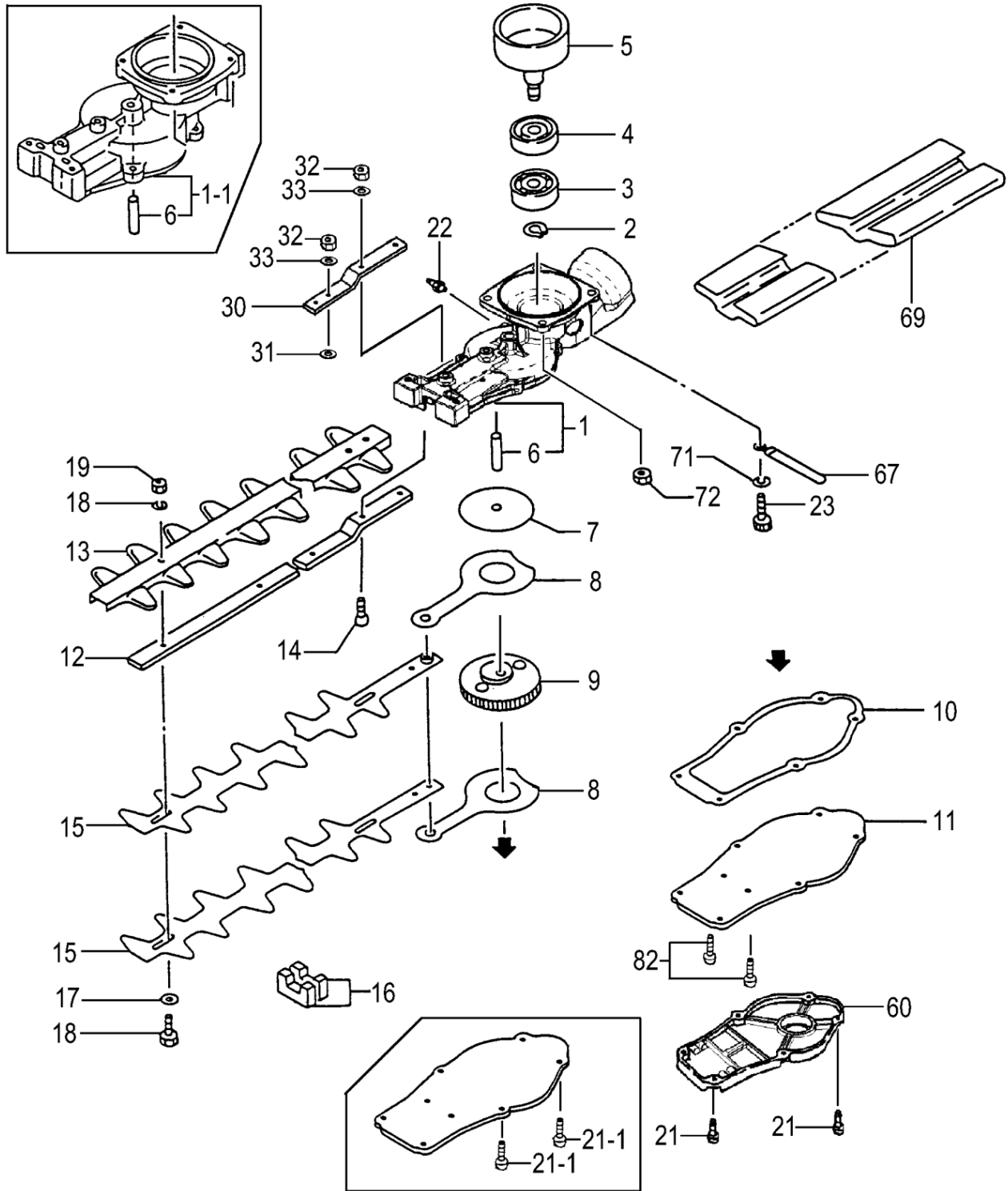
| ITEM | PART NUMBER | DESCRIPTION | QTY | COMMENTS |
|------|-------------|------------------------|-----|------------------------|
| 4-3 | 7210300300 | SET, TAIL PIPE, COVER | 1 | See Bulletin # PI 3121 |
| 4-6 | 7040300290 | SET, MUFFLER | 1 | See Bulletin # PI 3121 |
| 4-7 | 99201060011 | WASHER, 6 | 2 | |
| 4-8 | 99053060553 | SCREW, HEX. HOLE | 2 | |
| 4-10 | 7210300320 | PIPE, TAIL | 1 | See Bulletin # PI 3121 |
| 4-11 | 1120300280 | CASE, FAN | 1 | |
| 4-12 | 78006097200 | SPRING, RECOIL | 1 | |
| 4-13 | 77406097200 | PULLEY, STARTER | 1 | |
| 4-15 | 8390201020 | SCREW, SET | 1 | |
| 4-16 | 79806500900 | PULLEY, STARTER, ASS'Y | 1 | |
| 4-17 | 20306000200 | GROMMET, PRIMARY CORD | 1 | |
| 4-18 | 78306097200 | ROPE, STARTER | 1 | |
| 4-19 | 78506410200 | HANDLE, STARTER | 1 | |
| 4-20 | 99415040162 | SCREW, PS, 4X16 | 3 | |
| 4-21 | 7350300281 | SHIELD, HEAT | 1 | |
| 4-22 | 7320440020 | ARRESTER, SPARK | 1 | |
| 4-23 | 99201050011 | WASHER, 5 | 1 | |
| 4-24 | 99435040081 | SCREW, 4X8PS | 1 | |
| 4-25 | 99414050081 | SCREW, 5X8, S | 1 | |
| 4-47 | 2770634F900 | CLUTCH, ASS'Y | 1 | |
| 4-61 | 99073045104 | SCREW, TAPPING, 4.5X10 | 1 | |
| 4-62 | 99425040128 | BOLT, PS, 4X12 | 2 | |
| 4-65 | 79006097200 | SPRING, STARTER PAWL | 1 | |
| 4-66 | 7880650020 | PAWL, STARTER | 1 | |



A small retainer (560-02170-20), has been added to this model after serial # A099801 to prevent the barrel end of the throttle wire from coming detached from the carburetor.



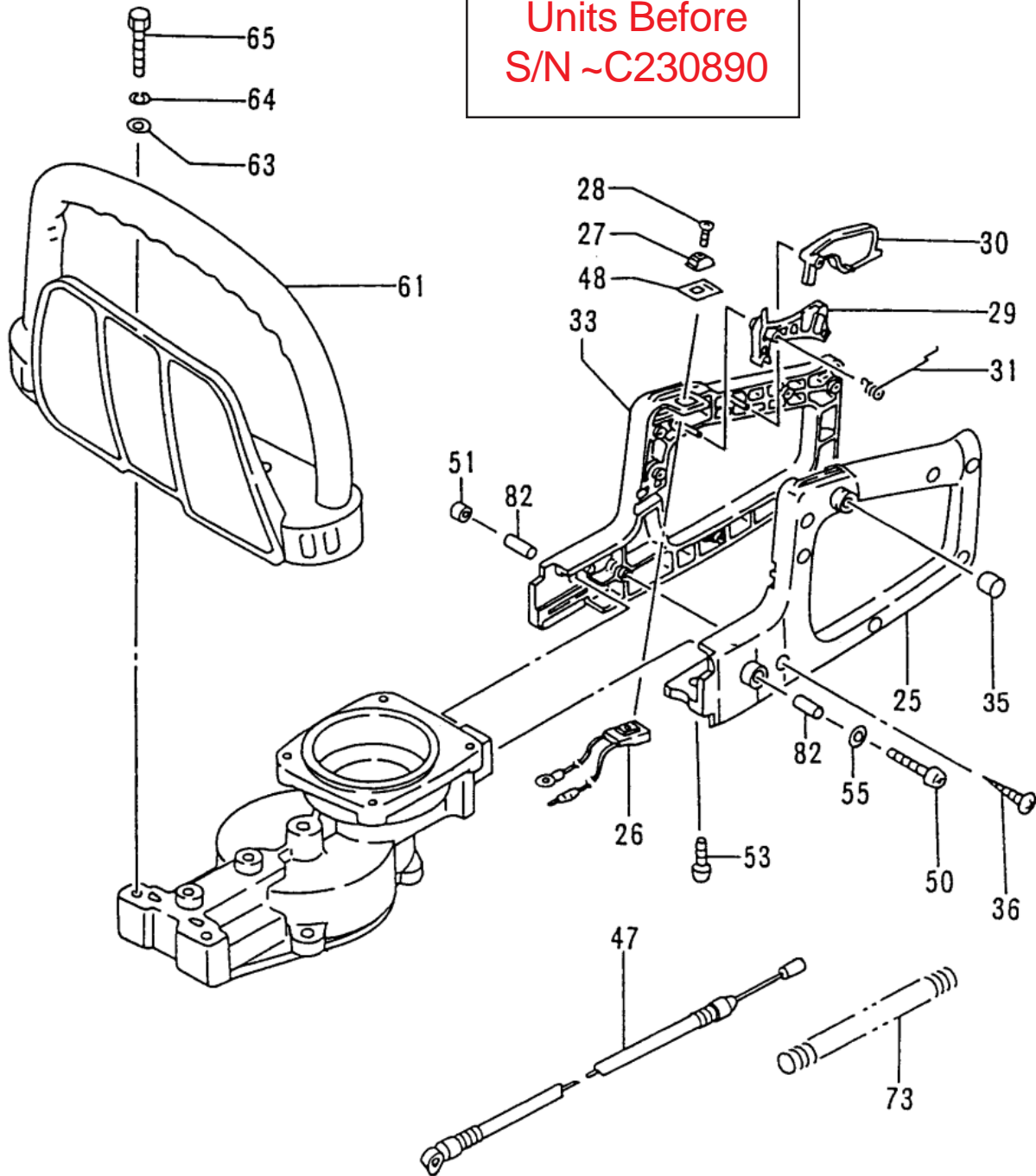
| ITEM | PART NUMBER | DESCRIPTION | QTY | COMMENTS |
|------|-------------|--------------------|-----|--|
| 5-0 | 4550300290 | SET,CARBURETOR | 1 | Carburetor set includes gasket |
| 5-1 | 54825140200 | SCREW,THROTTLE SET | 2 | |
| 5-5 | 53925120200 | SWIVEL | 1 | Carburetor Repair Kit - 650-25140-900 |
| 5-7 | 48925100200 | RING,STOP | 1 | Gasket / Diaphragm Kit - 652-25140-900 |
| 5-10 | 55025100200 | O-RING | 1 | |
| 5-11 | 5992001W34 | JET,MAIN,#34 | 1 | ~ Contained in Carb Kits |
| 5-13 | ~ ~ ~ | GASKET,PUMP | 1 | |
| 5-14 | ~ ~ ~ | DIAPHRAGM,PUMP | 1 | |
| 5-17 | ~ ~ ~ | SCREEN,INLET | 1 | |
| 5-18 | 5752522580 | BODY,PUMP | 1 | |
| 5-19 | ~ ~ ~ | GASKET,DIAPHRAGM | 1 | |
| 5-20 | ~ ~ ~ | DIAPHRAGM,METERING | 1 | |
| 5-21 | 47625004200 | COVER,DIAPHRAGM | 1 | |
| 5-22 | 54825101200 | SCREW,SET | 4 | |



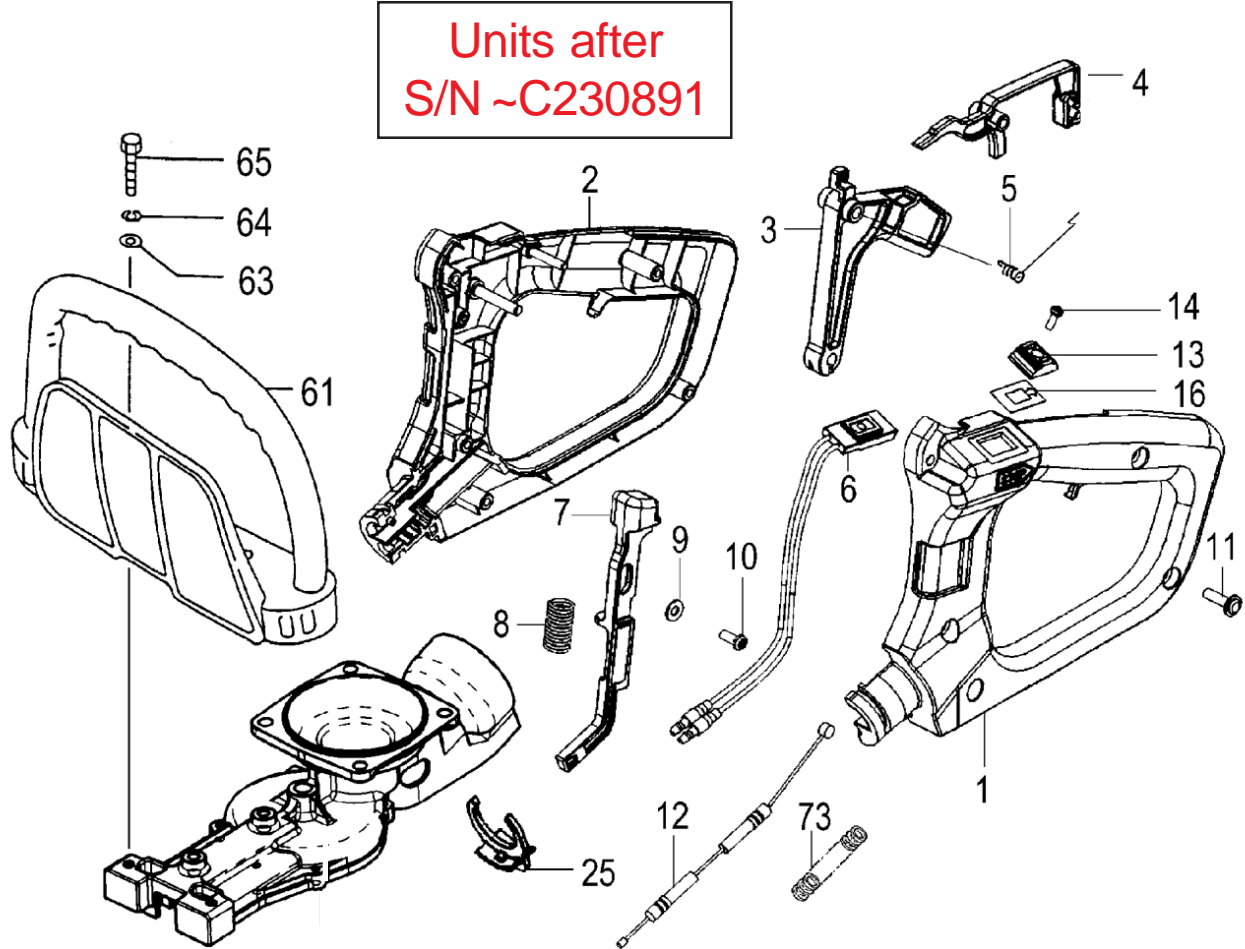
CLUTCH DRUM, GEAR CASE, BLADES • FIGURE 6

| ITEM | PART NUMBER | DESCRIPTION | QTY | COMMENTS |
|--------|-------------|-------------------------|-----|-------------------------|
| 6-1-1 | 3003317A80 | CASE,GEAR | 1 | ~C230890 |
| 6-1 | 3007305080 | CASE,GEAR | 1 | C230891~ |
| 6-2 | 99350015002 | RING,STOP,C-15 EX | 1 | |
| 6-3 | 99961600200 | BEARING,BALL,#6002 | 1 | |
| 6-4 | 99961600202 | BEARING,BALL,#6002Z | 1 | |
| 6-5 | 2883318080 | DRUM,CLUTCH | 1 | |
| 6-6 | 30533160200 | SHAFT,GEAR | 1 | |
| 6-7 | 07533160200 | PLATE,GUIDE | 1 | |
| 6-8 | 1013316022 | ROD,CAM | 2 | |
| 6-9 | 3073318020 | GEAR,2 | 1 | |
| 6-10 | 30333160200 | GASKET,GEAR CASE | 1 | |
| 6-11 | 6303316020 | COVER,GEAR CASE | 1 | |
| 6-12 | 1223316021 | BAR,24-5/8"OAL,STANDARD | 1 | ~B001500 |
| 6-12 | 1223317820 | BAR,24-5/8"OAL,METRIC | 1 | B001501~ |
| 6-13 | 1363316020 | PLATE,PROTECTION | 1 | ~B001500 |
| 6-14 | 99052060165 | BOLT,HEX,6X16 | 2 | ~C230890 |
| 6-14 | 99052060255 | BOLT,HEX FLUSH,6X25 | 2 | C230891~ |
| 6-15 | CB-21A | BLADE,A,DS,22" | 2 | |
| 6-16 | 08533160200 | SEAL,GREASE A | 2 | |
| 6-17 | 12933202201 | WASHER,7 | 4 | |
| 6-18 | 1243320221 | BOLT,CUTTER FIXING,A | 4 | ~B001500 |
| 6-18 | 1243228720 | BOLT,FIXING,A,M6 | 4 | B001501~ |
| 6-19 | 1233317A20 | NUT,SPECIAL | 4 | ~B001500 |
| 6-19 | 99182060001 | NUT,FLANGE,6 | 4 | From B001501 to C230890 |
| 6-19 | 40927 | NUT,FLANGE,6 | 3 | C230891~ |
| 6-21-1 | 99461040104 | BOLT,HEX,4X10,S | 8 | ~C230890 |
| 6-21 | 99461040124 | BOLT,HEX,4X12 | 6 | C230891~ |
| 6-22 | 30032250801 | FITTING,GREASE | 1 | |
| 6-23 | 99051060143 | BOLT,HEX,6X14 | 2 | ~A091200 |
| 6-23 | 99461060184 | BOLT,HEX,6x18S | 2 | A091201~ |
| 6-30 | 4623329521 | PLATE,SUPPORT | 1 | C230891~ |
| 6-31 | 87132600200 | WASHER,SPECIAL,B | 1 | C230891~ |
| 6-32 | 99187060001 | NUT | 3 | C230891~ |
| 6-33 | 99201060011 | WASHER,6 | 3 | C230891~ |
| 6-60 | 3013316021 | CASE,GEAR B | 1 | C230891~ |
| 6-67 | 19810246800 | CLAMP,CORD | 1 | |
| 6-69 | 1383316820 | COVER,CUTTER,22" | 1 | |
| 6-71 | 99210060012 | WASHER,S,6 | 2 | ~A091200 |
| 6-72 | 99440060011 | NUT,SPRING 6 | 2 | |
| 6-81 | 99201060011 | WASHER,6 | 3 | W177951~ |
| 6-81 | 99201060011 | WASHER,6 | 3 | ~B001500 |
| 6-82 | 99461040104 | BOLT,HEX,4X10,S | 2 | C230891~ |

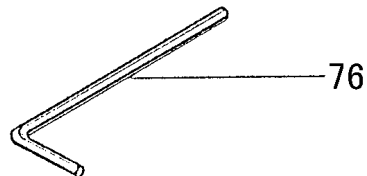
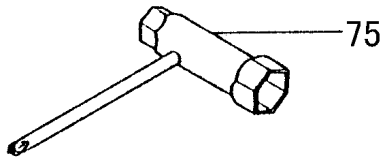
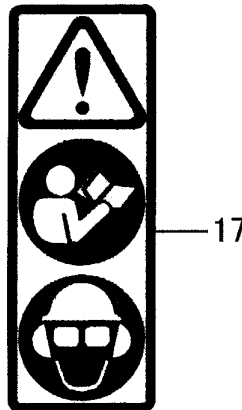
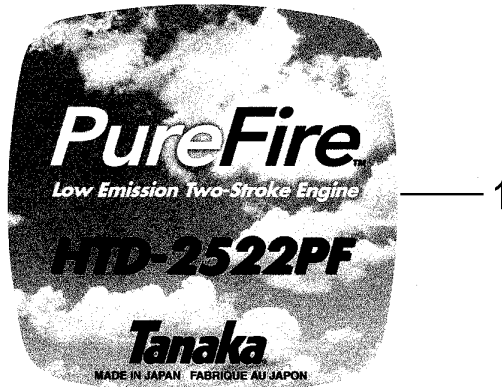
Units Before
S/N ~C230890



| ITEM | PART NUMBER | DESCRIPTION | QTY | COMMENTS |
|------|-------------|-----------------------|-----|--------------------------|
| 7-25 | 05033150010 | HANDLE,REAR,ASSY | 1 | Units before S/N C230890 |
| 7-26 | 1703317A80 | SWITCH,STOP | 1 | |
| 7-27 | 2581165020 | BUTTON,STOP | 1 | |
| 7-28 | 99431030101 | R-B 99011030101 SCREW | 1 | |
| 7-29 | 2303315020 | LEVER,THROTTLE | 1 | |
| 7-30 | 23133150200 | LEVER,SAFETY | 1 | |
| 7-31 | 23233150200 | SPRING,THROTTLE LEVER | 1 | |
| 7-33 | 05033150010 | HANDLE,REAR,ASSY | 1 | |
| 7-35 | 7653212020 | CAP | 1 | |
| 7-36 | 99311041812 | SCREW,TAPPING,4X18 | 7 | |
| 7-47 | 8850651C80 | WIRE,THROTTLE | 1 | |
| 7-48 | 9253253020 | DECAL,STOP BUTTON | 1 | |
| 7-50 | 99414050451 | SCREW,5X45/S | 1 | |
| 7-51 | 99178050010 | NUT,LOCK 5 | 1 | |
| 7-53 | 99415060181 | SCREW,6X18PS | 1 | |
| 7-55 | 99200050011 | WASHER,SMALL,5 | 1 | |
| 7-61 | 2103316022 | HANDLE,FRONT | 1 | |
| 7-63 | 36832057200 | WASHER,BRAKE SHAFT | 2 | |
| 7-64 | 99210050062 | WASHER,S,5 | 2 | |
| 7-65 | 99051050403 | BOLT,HEX,5X40 | 2 | |
| 7-73 | 1640701400 | TUBE,PROTECTION,7X140 | 1 | |
| 7-82 | 65900801200 | COLLAR | 2 | |



| ITEM | PART NUMBER | DESCRIPTION | QTY | COMMENTS |
|------|-------------|-----------------------|-----|-------------------------|
| 8-1 | 0513329020 | HANDLE,B | 1 | Units after S/N C230891 |
| 8-2 | 0503329020 | HANDLE,A | 1 | |
| 8-3 | 2303329020 | LEVER,THROTTLE | 1 | |
| 8-4 | 2313329020 | LEVER,SAFETY | 1 | |
| 8-5 | 23233160200 | SPRING,THROTTLE LEVER | 1 | |
| 8-6 | 1703325380 | SWITCH,STOP | 1 | |
| 8-7 | 2333329020 | LEVER,LOCK | 1 | |
| 8-8 | 2453329020 | SPRING | 1 | |
| 8-9 | 99201040011 | WASHER,4 | 1 | |
| 8-10 | 99341040101 | SCREW,TAPPING,4X10 | 1 | |
| 8-11 | 99072045164 | SCREW,TAPPING,4.5X16 | 5 | |
| 8-12 | 8857311080 | WIRE,THROTTLE | 1 | |
| 8-13 | 2581165020 | BUTTON,STOP | 1 | |
| 8-14 | 99011030101 | SCREW,3X10 | 1 | |
| 8-16 | 92533160200 | DECAL,STOP BUTTON | 1 | |
| 8-25 | 5053319620 | CLIP | 1 | |
| 8-61 | 2103316022 | HANDLE,FRONT | 1 | |
| 8-63 | 36832057200 | WASHER,BRAKE SHAFT | 2 | |
| 8-64 | 99210050062 | WASHER,S,5 | 2 | |
| 8-65 | 99051050403 | BOLT,HEX,5X40 | 2 | |
| 8-73 | 16407013010 | TUBE,PROTECTION,7x130 | 1 | |



| ITEM | PART NUMBER | DESCRIPTION | QTY | COMMENTS |
|------|-------------|---------------|-----|----------|
| 9-1 | 9060300221 | DECAL | 1 | |
| 9-2 | 9203246620 | DECAL,CAUTION | 1 | |
| 9-75 | 03629331501 | SPANNER,COMBI | 1 | |
| 9-76 | 81320000200 | WRENCH,HEX,4 | 1 | |