

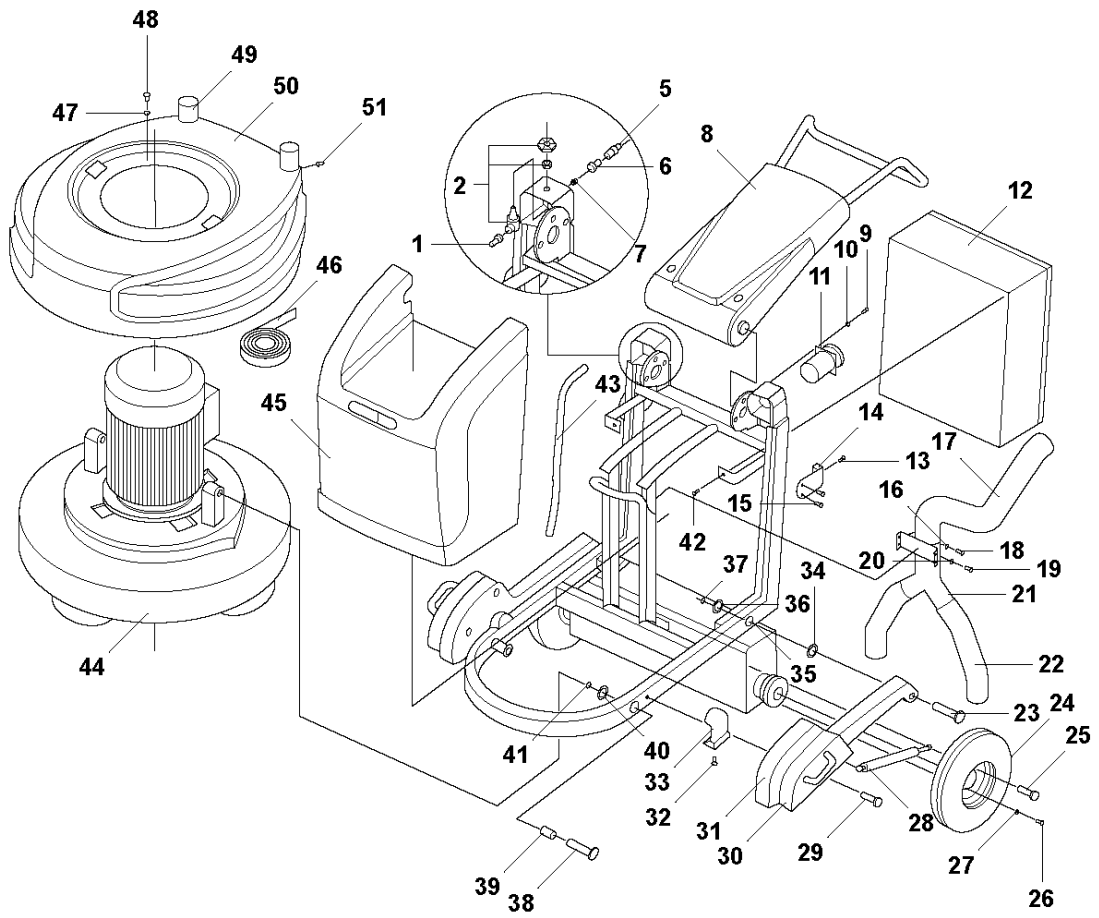


SPARE PARTS LIST

SURFACE PREPARATION EQUIPMENT

HTC 950RX, 967837705 967837706,
2021-01

A 950RX
CHASSIS

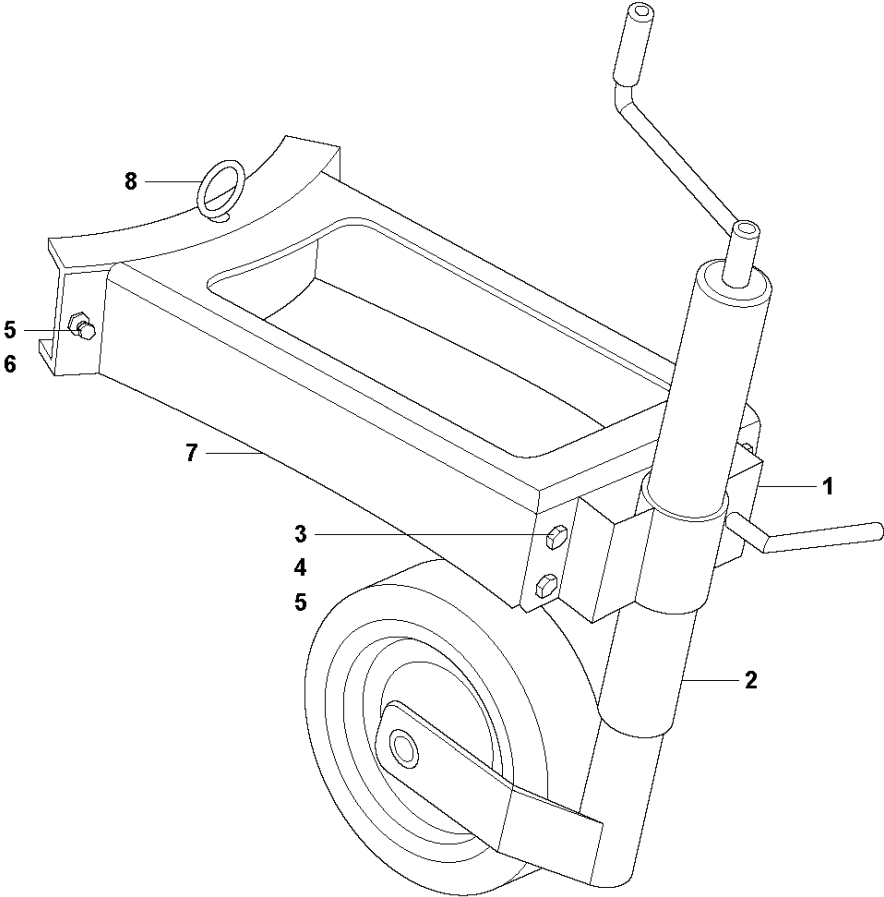


CHASSIS

HTC 950RX, 967837705 967837706, 2021-01

| Ref | Part No | Description | Remark | QTY KIT |
|-----|--------------|-----------------|-----------------------------|---------|
| 1 | 593 41 70-01 | HOSE CONNECTOR | HOSE CONNECTION 3/8 | 1 |
| 2 | 593 43 93-01 | VALVE | SLIDING VALVE | 1 |
| 5 | 595 81 12-01 | COUPLING | QUICK COUPLING FEMALE | 1 |
| 6 | 595 81 13-01 | COUPLING | QUICK COUPLING MALE | 1 |
| 7 | 595 81 14-01 | BARREL | BARREL NIPPLE 3/8 | 1 |
| 8 | 0 | TBD | HANDLE COMPLETE | 1 |
| 9 | 593 50 20-01 | SCREW | SCREW M5x12 | 4 |
| 10 | 593 50 43-01 | WASHER | WASHER M5 | 4 |
| 11 | 593 41 33-01 | TUBE | SUCTION TUBE | 1 |
| 12 | 595636301 | TBD | POWER UNIT 15Kw | 1 |
| 13 | 593 50 40-01 | SCREW | SCREW M8x35 | 2 |
| 14 | 593 42 21-01 | WEAR PROTECTION | WEAR PROTECTION UPPER | 2 |
| 15 | 593 49 78-01 | SCREW | SCREW M6X25 | 4 |
| 16 | 593 49 60-01 | WASHER | WASHER M6 | 4 |
| 17 | 593 47 87-01 | HOSE | HOSE 75mm. 0.7m | 1 |
| 18 | 593 50 00-01 | LOCK NUT | NUT NYLOCK M6 | 4 |
| 19 | 593 49 73-01 | SCREW | SCREW M6X12 | 4 |
| 20 | 593 49 60-01 | WASHER | WASHER M6 | 4 |
| 21 | 595 80 99-01 | PIPE | FORK PIPE | 1 |
| 22 | 593 47 91-01 | HOSE | HOSE 63mm. 0.5m | 1 |
| 23 | 593 41 35-01 | SHAFT | WEIGHT SHAFT | 2 |
| 24 | 593 47 96-01 | WHEEL | GREY Ø400MM | 2 |
| 25 | 593 41 39-01 | PISTON | LEVER INDEXING PLUNGER | 2 |
| 26 | 593 50 28-01 | SCREW | SCREW M8x20 | 8 |
| 27 | 593 50 04-01 | WASHER | WASHER M8 | 8 |
| 28 | 593 41 42-01 | GAS SPRING | GAS SPRING COMPLETE | 2 |
| 29 | 593 43 10-01 | PISTON | LEVER INDEXING PLUNGER | 2 |
| 30 | 595 80 95-02 | WEIGHT | WEIGHT 14Kg LEFT | 1 |
| 30 | 593 41 86-01 | HANDLE | BOW HANDLE | 1 |
| 30 | 593 49 71-01 | SCREW | SCREW M6x20 | 2 |
| 30 | 595 80 94-02 | WEIGHT | WEIGHT 14Kg RIGHT | 1 |
| 30 | 593 41 86-01 | HANDLE | BOW HANDLE | 1 |
| 30 | 593 49 71-01 | SCREW | SCREW M6x20 | 2 |
| 31 | 593 41 32-02 | WEIGHT | WEIGHT 35Kg | 2 |
| 31 | 593 42 20-01 | WEIGHT | SLIDING STRIP | 2 |
| 31 | 593 50 78-01 | SCREW | SCREW M6x16 | 4 |
| 31 | 595 67 21-01 | SCREW | SCREW M16x55 | 4 |
| 32 | 593 50 06-01 | SCREW | SCREW M8x16 | 2 |
| 33 | 593 41 38-01 | WEAR PROTECTION | WEAR PROTECTION LOWER | 2 |
| 34 | 593 50 44-01 | WASHER | WASHER M24 | 2 |
| 35 | 593 41 72-01 | BUSHING | BUSHING BM25 | 2 |
| 36 | 593 50 44-01 | WASHER | WASHER M24 | 2 |
| 37 | 593 49 68-01 | CIRCLIP | CIRCLIP SGA 25 | 2 |
| 38 | 593 42 13-01 | SHAFT | SHAFT CHASSI/GRINDING HEAD | 2 |
| 39 | 593 41 72-01 | BUSHING | BUSHING BF25 | 2 |
| 40 | 593 50 44-01 | WASHER | WASHER M24 | 2 |
| 41 | 593 50 62-01 | PIN | LOCKING PIN | 2 |
| 42 | 593 50 06-01 | SCREW | SCREW M8x16 | 4 |
| 43 | 0 | TBD | HOSE COARSE ARMoured | 1 |
| 44 | 593 42 67-01 | HEAD | GRINDING HEAD WITHOUT MOTOR | 1 |
| 45 | 593 41 43-02 | COVER | MACHINE COVER | 1 |
| 46 | 593 61 55-01 | CROSS MEMBER | VELCRO MALE 38mm | 3 |
| 47 | 593 50 04-01 | WASHER | WASHER M8 | 8 |
| 48 | 593 50 06-01 | SCREW | SCREW M8x16 | 8 |
| 49 | 595 80 98-01 | HOSE | SUCTION TUBE | 2 |
| 50 | 593 52 49-02 | COVER | FLOATING COVER COMPLETE | 1 |
| 51 | 595 67 11-01 | NUT | POP RIVET 4.8X19 | 4 |

B 950RX
SUPPORT WHEEL

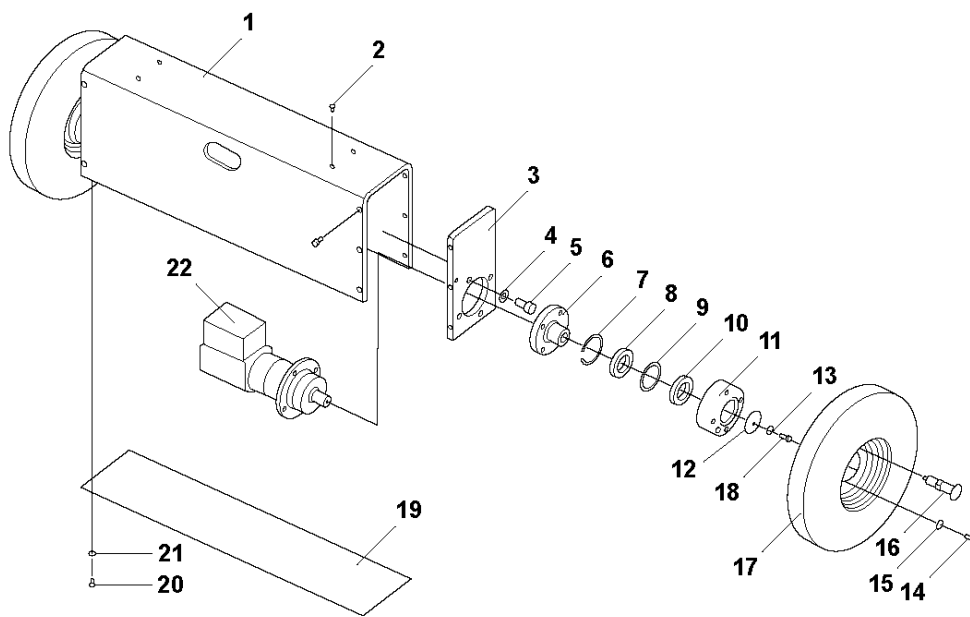


SUPPORT WHEEL

HTC 950RX, 967837705 967837706, 2021-01

| Ref | Part No | Description | Remark | QTY KIT |
|-----|--------------|---------------|--------------------------|---------|
| 1 | 593 47 01-01 | WHEEL BRACKET | BRACKET SUPORT WHEEL | 1 |
| 2 | 593 47 00-01 | SUPPORT WHEEL | SUPPORT WHEEL | 1 |
| 3 | 593 49 91-01 | WASHER | WASHER M10 | 4 |
| 4 | 593 49 58-01 | LOCK NUT | LOCK NUT M10 | 4 |
| 5 | 593 49 97-01 | SCREW | SCREW M10x30 | 6 |
| 6 | 593 50 09-01 | NUT | NUT M10 | 2 |
| 7 | 593 53 01-01 | CHASSIS | SUPPORT WHEEL CHASSIS | 1 |
| 8 | 593 44 06-01 | WHEEL | PIN | 1 |

C 950RX
DRIVE MOTOR ASSY

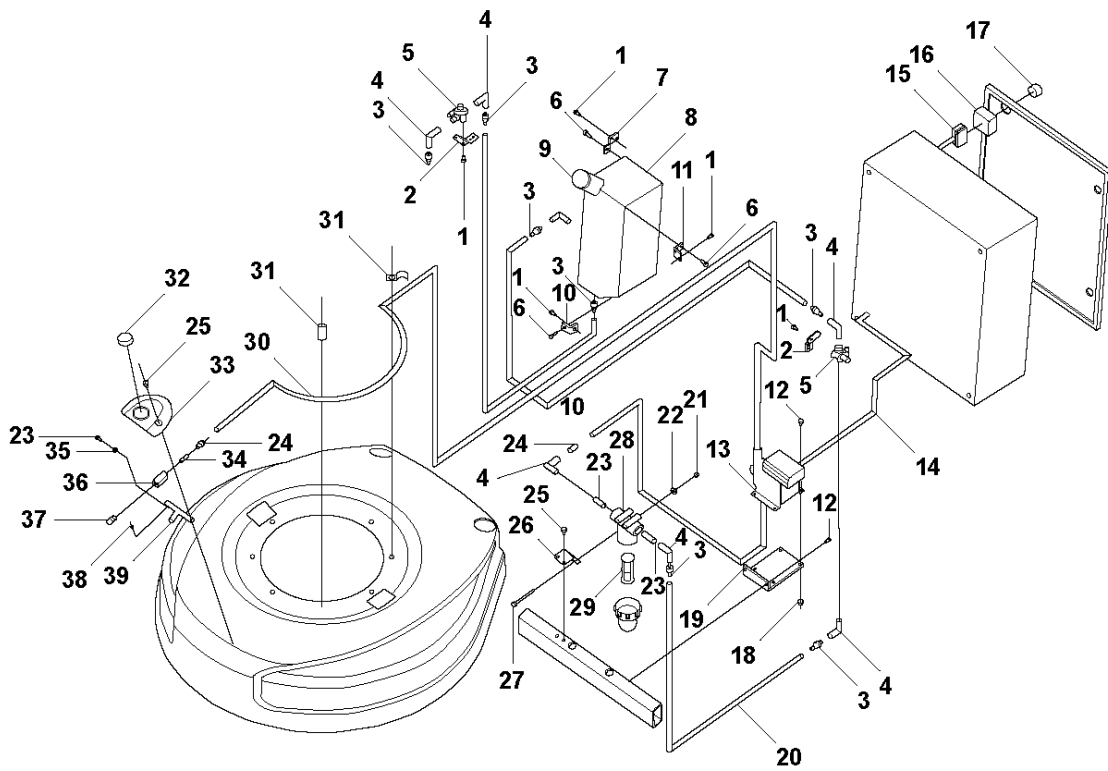


DRIVE MOTOR ASSY

HTC 950RX, 967837705 967837706, 2021-01

| Ref | Part No | Description | Remark | QTY KIT |
|-----|--------------|--------------|--|---------|
| 1 | 593 41 90-01 | BOX | Drive box | 1 |
| 2 | 593 50 05-01 | SCREW | Screw M10x20 | 4 |
| 3 | 0 | TBD | End drive mechanism, left | 1 |
| 3 | 0 | TBD | End drive mechanism, right | 1 |
| 4 | 593 49 94-01 | WASHER | Washer BRB M12 | 8 |
| 5 | 593 49 59-01 | SCREW | Screw M12X25 | 8 |
| 6 | 593 41 46-01 | HUB | Hub wheel locking | 2 |
| 7 | 593 50 46-01 | CIRCLIP | Circlip SGH 62 | 2 |
| 8 | 593 41 63-01 | BALL BEARING | Ball bearing | 2 |
| 9 | 593 41 49-01 | SPACER | Spacer wheel locking | 2 |
| 10 | 593 41 63-01 | BALL BEARING | Ball bearing | 2 |
| 11 | 593 41 47-01 | SLEEVE | Sleeve wheel locking | 2 |
| 12 | 593 41 48-01 | WASHER | Washer wheel locking | 2 |
| 13 | 593 49 60-01 | WASHER | Washer BRB M6 | 2 |
| 14 | 593 50 28-01 | SCREW | Screw M8x20 | 8 |
| 15 | 593 50 04-01 | WASHER | Washer BRB M8 | 8 |
| 16 | 593 41 39-01 | PISTON | Adjustment bolt, Lockable wheel | 2 |
| 17 | 593 46 90-01 | WHEEL | Wheel | 2 |
| 18 | 593 50 42-01 | SCREW | ScrewM6x35 | 2 |
| 19 | 0 | TBD | Bottom plate drive mechanism | 1 |
| 20 | 593 50 52-01 | SCREW | Screw M5x10 | 12 |
| 21 | 593 50 43-01 | WASHER | Washer BRB M5 | 12 |
| 22 | 593 41 69-01 | DRIVER | V1: If you have an old motor with number H110950 and last letter A to E. You need to change both motors. If the last letter is F, G, H and so on, you have a new model and it is enough to change one. | 2 |
| 22 | 593 47 04-01 | DRIVER | V2: If you have an old motor with number H110950 and last letter A to E. You need to change both motors. If the last letter is F, G, H and so on, you have a new model and it is enough to change one. | 2 |

D 950RX
MIST COOLER

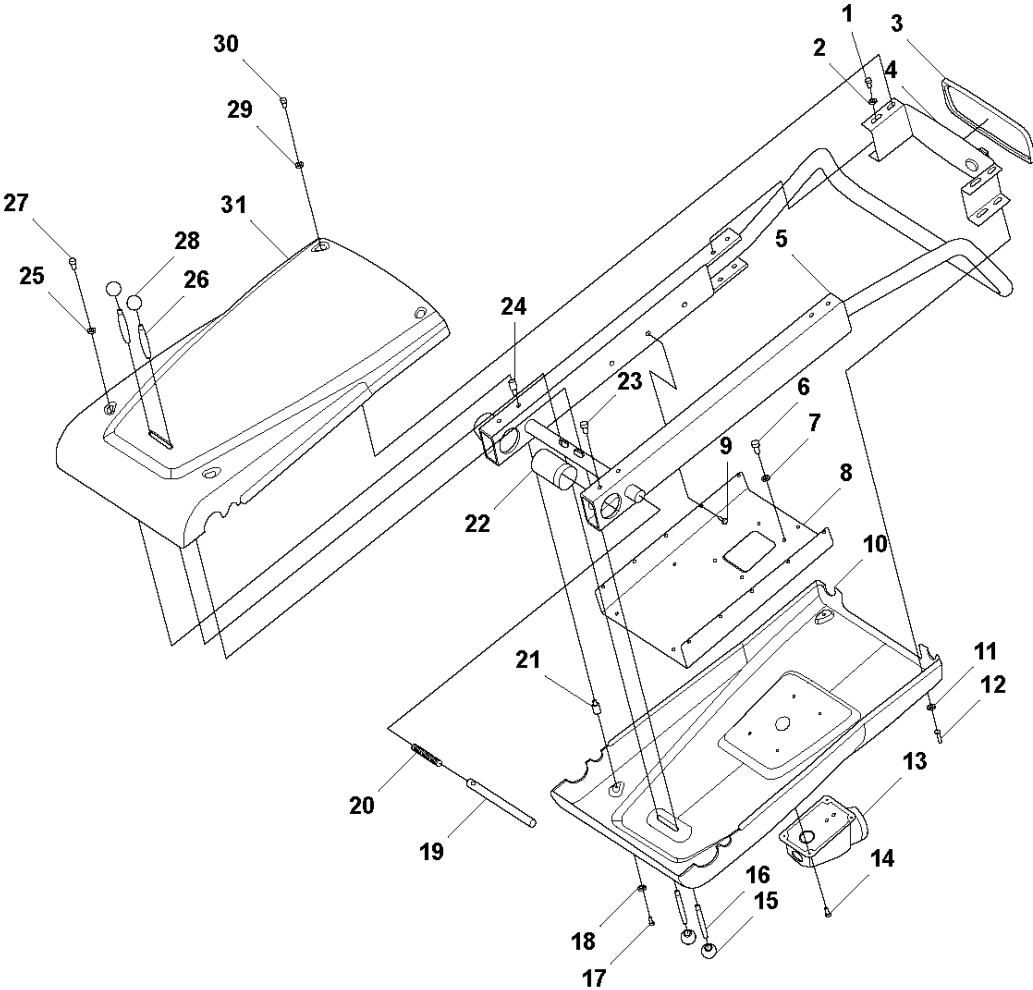


MIST COOLER

HTC 950RX, 967837705 967837706, 2021-01

| Ref | Part No | Description | Remark | QTY KIT |
|-----|--------------|----------------|---------------------------------------|---------|
| 1 | 593 50 20-01 | SCREW | Screw M5x12 | 14 |
| 2 | 595 78 56-01 | MOUNT | Fixing plate ball valve, Left HTC 800 | 2 |
| 3 | 593 39 16-01 | CONNECTOR | Hose connection 2601-12-1/4 | 7 |
| 4 | 593 38 96-01 | ELBOW | Elbow piece MF 2020-1/4 | 7 |
| 5 | 593 38 10-01 | VALVE | Water valve to grinder | 2 |
| 6 | 593 50 26-01 | SCREW | Screw | 3 |
| 7 | 595 81 41-01 | ATTACHMENT | Attachment 2 water tank | 1 |
| 8 | 595 81 51-01 | WATER TANK | Water tank 950 | 1 |
| 9 | 593 37 81-01 | COVER | Pipe cover for suction casing | 1 |
| 10 | 595 81 42-01 | ATTACHMENT | Attachment 3 water tank | 1 |
| 11 | 595 81 39-01 | ATTACHMENT | Attachment water tank | 1 |
| 12 | 593 50 07-01 | SCREW | Screw M6x16 | 6 |
| 13 | 593 47 33-01 | PUMP | Mist pump | 1 |
| 14 | 595816501 | TBD | Cable | 1 |
| 15 | 593 39 96-01 | BLOCK | Contact Block ZBE-101 (NO) | 2 |
| 16 | 593 61 49-01 | BASE | Mounting base, metal | 1 |
| 17 | 593 42 99-01 | KNOB | Knob black 2-pos | 1 |
| 18 | 593 50 00-01 | LOCK NUT | Nut Nylock M6 | 4 |
| 19 | 595 81 40-01 | MOUNT | Fixing plate, pump | 1 |
| 20 | 593 38 86-01 | TUBE | Hose large reinforced PVC 1.1 m | 1 |
| 21 | 593 49 98-01 | LOCK NUT | Nut Nylock M8 | 2 |
| 22 | 593 50 04-01 | WASHER | Washer BRB M8 | 2 |
| 23 | 593 42 69-01 | BUSHING | Bushing 2531-1/2-1/4 | 2 |
| 24 | 593 42 68-01 | HOSE CONNECTOR | Hose connection 1511-6/4-1/4 | 2 |
| 25 | 593 49 73-01 | SCREW | Screw MC6S M6x12 8.8 | 6 |
| 26 | 595 81 67-01 | BRACKET | Filter bracket | 1 |
| 27 | 595 67 23-01 | SCREW | Screw M8x80 | 2 |
| 28 | 593 42 36-01 | FILTER | Filter holder incl filter | 1 |
| 29 | 593 42 37-01 | FILTER | Filter | 28 |
| 30 | 593 43 38-01 | TUBE | Hose 1.5 m | 1 |
| 31 | 593 43 03-01 | CABLE CLAMP | Cable clips 8 mm with M8 hole | 2 |
| 32 | 595 81 64-01 | DECAL | Decal, HTC Mist Cooler System | 1 |
| 33 | 593 42 55-01 | COVER | Nozzle cover | 1 |
| 34 | 593 42 39-01 | FILTER | Filter VEF 0138T1B | 1 |
| 35 | 593 49 60-01 | WASHER | Washer BRB M6 | 2 |
| 36 | 593 42 56-01 | NOZZLE HOLDER | Nozzle holder | 1 |
| 37 | 593 42 38-01 | NOZZLE | Nozzle RXT 0060 B1 | 1 |
| 38 | 593 50 08-01 | RIVET | Pop rivet 4.8x12.7 | 3 |
| 39 | 593 42 57-01 | SHAFT | Holder nozzle cover | 1 |

E 950RX
HANDLE

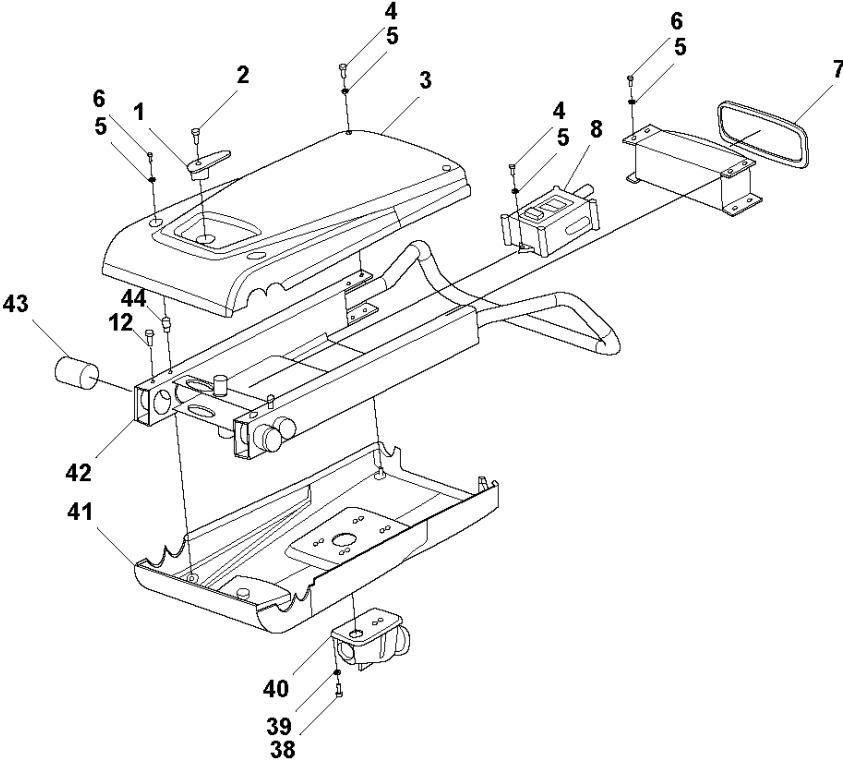


HANDLE

HTC 950RX, 967837705 967837706, 2021-01

| Ref | Part No | Description | Remark | QTY KIT |
|-----|--------------|-------------|--|---------|
| 1 | 593 50 07-01 | SCREW | Screw M6X16 | 4 |
| 2 | 593 49 60-01 | WASHER | Washer BRB M6 | 4 |
| 3 | 593 41 74-01 | GASKET | Packing control panel | 1 |
| 4 | 0 | TBD | Console instrument panel HTC 950 (discontinued) | 1 |
| 5 | 0 | TBD | Handle HTC 950 (discontinued) | 1 |
| 6 | 0 | TBD | Nut M5 | 4 |
| 7 | 593 50 43-01 | WASHER | Washer BRB M5 | 4 |
| 8 | 0 | TBD | Connecting plate (discontinued) | 1 |
| 9 | 593 50 07-01 | SCREW | Screw M6X16 | 6 |
| 11 | 593 49 60-01 | WASHER | Washer BRB M6 | 2 |
| 12 | 593 50 07-01 | SCREW | Screw M6X16 | 2 |
| 13 | 593 40 01-01 | INLET | Wall inlet 32A 5P RED | 1 |
| 13 | 593 40 13-01 | INLET | Wall inlet 32A 5P BLACK | 1 |
| 14 | 593 50 38-01 | SCREW | Screw M5x20 | 4 |
| 15 | 593 41 41-01 | KNOB | Handle ball | 2 |
| 16 | 593 41 37-01 | PIN | Pin | 2 |
| 17 | 593 50 07-01 | SCREW | Screw M6X16 | 2 |
| 18 | 593 49 60-01 | WASHER | Washer BRB M6 | 2 |
| 19 | 593 41 34-01 | SPRING PIN | Pin, chassis | 2 |
| 20 | 595 81 04-01 | SPRING | Spring | 1 |
| 21 | 593 50 39-01 | SCREW | Spacer screw | 2 |
| 22 | 593 41 36-01 | HANDLE | Attachment pipe handle | 2 |
| 23 | 593 49 96-01 | SCREW | Screw M8x25 | 2 |
| 24 | 593 50 39-01 | SCREW | Spacer screw | 2 |
| 25 | 593 49 60-01 | WASHER | Washer BRB M6 | 2 |
| 26 | 593 41 37-01 | PIN | Pin | 2 |
| 27 | 593 50 07-01 | SCREW | Screw M6X16 | 2 |
| 28 | 593 41 41-01 | KNOB | Handle ball | 2 |
| 29 | 593 49 60-01 | WASHER | Washer BRB M6 | 2 |
| 30 | 593 50 07-01 | SCREW | Screw M6X16 | 2 |

F 950RX
HANDLE



HANDLE

HTC 950RX, 967837705 967837706, 2021-01

| Ref | Part No | Description | Remark | QTY KIT |
|-----|--------------|--------------|----------------------------|---------|
| 1 | 593 51 62-01 | KNOB | KNOB | 2 |
| 2 | 593 49 96-01 | SCREW | SCREW M8X25 | 2 |
| 3 | 593 51 64-02 | COVER | HANDLE COVER UPPER | 1 |
| 4 | 593 50 07-01 | SCREW | SCREW M6X16 | 6 |
| 5 | 593 49 60-01 | WASHER | WASHER M6 | 10 |
| 6 | 593 49 73-01 | SCREW | SCREW M6X12 | 4 |
| 7 | 593 41 74-01 | GASKET | GASKET CONTROL PANEL | 1 |
| 8 | 593 61 67-01 | TRANSMISSION | RADIO SYSTEM RX COMPL. | 1 |
| 12 | 593 49 96-01 | SCREW | SCREW M8X25 | 4 |
| 38 | 593 50 38-01 | SCREW | SCREW M5X20 | 4 |
| 39 | 593 50 43-01 | WASHER | WASHER M5 | 4 |
| 40 | 593 40 13-01 | INLET | POWER INLET 5P BLACK | 1 |
| 40 | 593 40 01-01 | INLET | POWER INLET 5P RED | 1 |
| 41 | 593 51 63-02 | COVER | HANDLE COVER LOWER | 1 |
| 42 | 593 51 65-01 | HANDLE | HANDLE WITH LOCK DEVICE | 1 |
| 43 | 593 41 36-01 | HANDLE | FASTENING PIPE HANDLE | 2 |
| 44 | 593 50 39-01 | SCREW | SPACER SCREW M6x20 | 4 |

GRINDING HEAD

HTC 950RX, 967837705 967837706, 2021-01

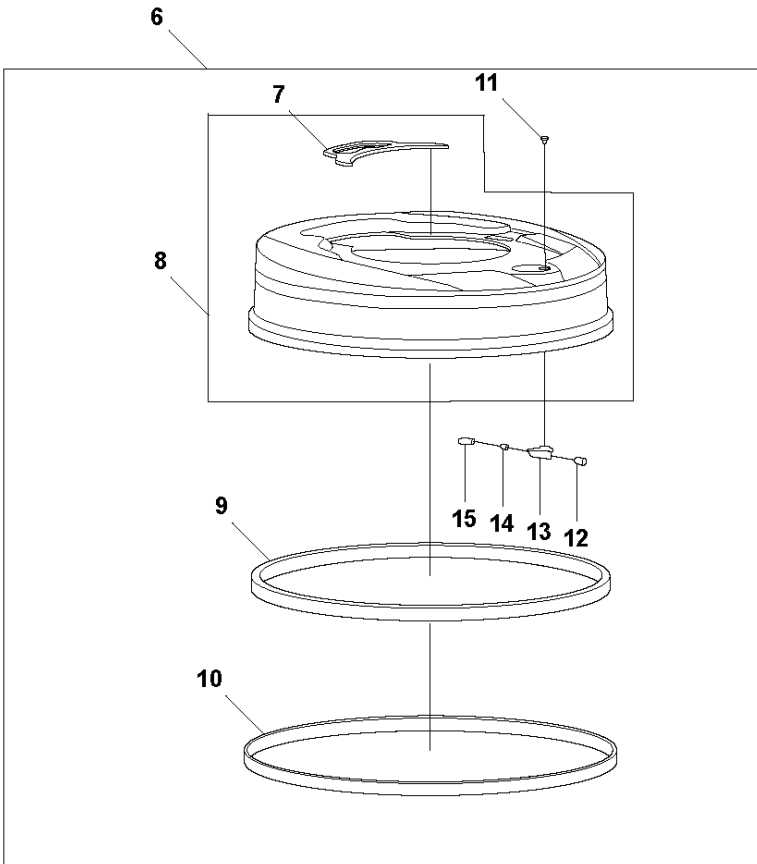
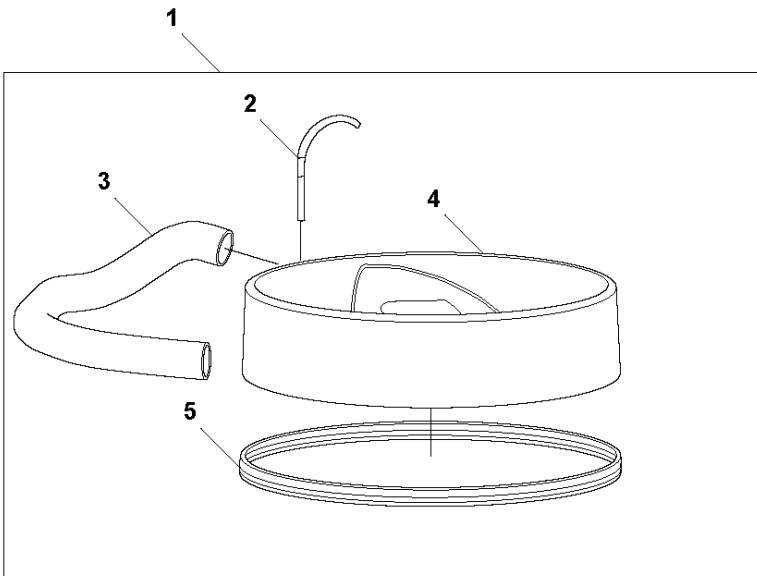
| Ref | Part No | Description | Remark | QTY KIT |
|-----|--------------|---------------|--------------------------------|---------|
| 1 | 593 50 35-01 | SCREW | Screw M16x30 | 4 |
| 2 | 593 49 75-01 | WASHER | Washer BRB M16 | 4 |
| 4 | 593 50 28-01 | SCREW | Screw M8x20 | 6 |
| 3 | 593 40 91-01 | HINGE | Hinge Bracket | 2 |
| 3 | 593 42 14-01 | BUSHING | Hinge Bracket Bushing | 2 |
| 5 | 593 49 52-01 | SCREW | Screw M8x25 | 3 |
| 6 | 593 49 62-01 | WASHER | Washer BRB M8 | 3 |
| 7 | 593 50 59-01 | SCREW | Screw M8x120 | 2 |
| 8 | 593 49 72-01 | SCREW | Screw M5x8 | 6 |
| 9 | 593 49 97-01 | SCREW | Screw M10x30 | 2 |
| 10 | 593 50 28-01 | SCREW | Screw M8x20 | 8 |
| 11 | 593 49 57-01 | WASHER | Washer TBRB 22X10.5X4 | 2 |
| 12 | 593 41 15-01 | RADIAL SEAL | Radial seal 20x30x5 | 2 |
| 13 | 593 41 03-01 | SPACER | Spacer | 2 |
| 14 | 0 | TBD | Screw 8x30 | 8 |
| 15 | 593 40 98-01 | COVER | Cover, centre hub | 1 |
| 16 | 593 41 16-01 | RING | Gamma ring 25x42x04 | 2 |
| 17 | 593 41 05-01 | SHAFT | Shaft journal | 2 |
| 17 | 593 50 53-01 | PARALLEL KEY | Wedge RK | 2 |
| 18 | 593 40 97-01 | LID | Upper plate | 1 |
| 19 | 593 49 57-01 | WASHER | Washer TBRB 22X10.5X4 | 2 |
| 20 | 593 49 97-01 | SCREW | Screw M10x30 | 2 |
| 21 | 593 41 88-01 | POLY-V BELT | Belt, upper | 1 |
| 22 | 593 41 18-01 | BALL BEARING | Ball bearing 6017-2RS1 | 1 |
| 23 | 593 41 18-01 | BALL BEARING | Ball bearing 6017-2RS1 | 1 |
| 24 | 593 40 95-01 | CUP | Bearing cup | 1 |
| 25 | 593 41 17-01 | RING | Nilos ring | 1 |
| 26 | 593 41 58-01 | HUB | Hub motor plate | 1 |
| 27 | 593 50 78-01 | SCREW | Screw M6X16 | 10 |
| 28 | 0 | TBD | Belt ring (cancelled) | 1 |
| 28 | 593 43 18-01 | RING | Belt ring part 1 | 2 |
| 28 | 593 43 19-01 | RING | Belt ring part 2 | 2 |
| 29 | 593 41 00-01 | ENGINE PLATE | Motor plate | 1 |
| 30 | 593 50 05-01 | SCREW | Screw MF6S M10x20 | 8 |
| 31 | 593 46 46-01 | MOTOR | Motor 15kW | 1 |
| 32 | 593 41 02-01 | FIXING WASHER | Fixing boss | 16 |
| 33 | 593 50 78-01 | SCREW | Screw M6X16 | 16 |
| 34 | 593 49 81-01 | CIRCLIP | Circlip SGA 35 | 2 |
| 35 | 593 38 51-01 | BALL BEARING | Ball bearing 6207 2rs C3 | 2 |
| 36 | 593 41 07-01 | WHEEL | Tensioning wheel HTC 950 | 2 |
| 37 | 593 38 51-01 | BALL BEARING | Ball bearing 6207 2rs C3 | 2 |
| 38 | 593 49 81-01 | CIRCLIP | Circlip SGA 35 | 2 |
| 39 | 593 41 06-01 | SHAFT | Axle belt tensioner, lower | 2 |
| 40 | 593 40 99-01 | SHAFT | Shaft | 3 |
| 41 | 593 62 65-01 | LID | Lower Plate | 1 |
| 42 | 593 49 96-01 | SCREW | Screw M8x25 | 8 |
| 43 | 593 50 34-01 | NUT | Nut, low fine thread | 20 |
| 44 | 593 50 28-01 | SCREW | Screw M8x20 | 3 |
| 45 | 593 50 35-01 | SCREW | Screw M16X30 | 1 |
| 46 | 593 49 75-01 | WASHER | Washer BRB M16 | 1 |
| 47 | 593 50 28-01 | SCREW | Screw M8x20 | 6 |
| 48 | 593 49 97-01 | SCREW | Screw M10x30 | 4 |
| 49 | 593 49 91-01 | WASHER | Washer BRB M10 | 4 |
| 50 | 593 50 28-01 | SCREW | Screw M8x20 | 12 |
| 51 | 593 50 33-01 | SCREW | Shoulder screw 16xM12x25 | 2 |
| 52 | 593 41 09-01 | PLATE | Tensioning wheel plate Exc. | 2 |
| 53 | 593 41 08-01 | SHAFT | Tensioning wheel shaft Exc. | 2 |
| 54 | 593 38 51-01 | BALL BEARING | Ball bearing 6207 2rs C3 | 2 |
| 55 | 593 41 07-01 | WHEEL | Tensioning wheel | 2 |
| 56 | 593 38 51-01 | BALL BEARING | Ball bearing 6207 2rs C3 | 2 |
| 57 | 593 49 81-01 | CIRCLIP | Circlip SGA 35 | 2 |
| 58 | 593 40 92-01 | SHAFT | Shaft Centre hub | 1 |

GRINDING HEAD

HTC 950RX, 967837705 967837706, 2021-01

| Ref | Part No | Description | Remark | QTY KIT |
|-----|--------------|--------------|---------------------------------|---------|
| 59 | 593 50 30-01 | CIRCLIP | Circlip SGH 100 | 1 |
| 60 | 593 41 13-01 | BALL BEARING | Ball bearing 6013-2RS1 | 1 |
| 61 | 593 40 93-01 | SPACER | Spacer 28 HTC 950 | 1 |
| 62 | 593 41 13-01 | BALL BEARING | Ball bearing 6013-2RS1 | 1 |
| 63 | 593 40 94-01 | PULLEY | Centre hub HTC 950 | 1 |
| 64 | 593 50 29-01 | CIRCLIP | Circlip SGA 65 | 1 |
| 65 | 0 | TBD | Screw MFT-TT M6X16 | 8 |
| 66 | 0 | TBD | Cross-piece, part 2 HTC | 4 |
| 67 | 593 41 14-01 | O-RING | O-ring 32.1mm cross | 4 |
| 68 | 593 49 99-01 | SCREW | Screw MFT M8X16 | 12 |
| 69 | 593 61 57-01 | CROSS MEMBER | Cross-piece, part 1 HTC | 4 |
| 70 | 593 61 58-01 | CROSS MEMBER | Cross-piece, part 3 HTC | 4 |
| 71 | 593 50 36-01 | SCREW | Screw MC6S M12x25 zinc-plated | 4 |
| 72 | 593 41 27-01 | HOLDER | Grinding holder complete | 4 |
| 72 | 593 43 90-01 | HOLDER | Grinding cardan holder complete | 4 |
| 73 | 593 41 23-01 | RING | Seal 45x75 LSTO | 4 |
| 74 | 593 49 89-01 | PIN | Cylinder pin CP 6x20 | 24 |
| 75 | 593 41 01-01 | HUB | Spacer disc Hub | 4 |
| 76 | 593 41 24-01 | HUB ASSY | Hub packet driving | 2 |
| 76 | 593 42 44-01 | HUB ASSY | Hub packet not driving | 2 |
| 77 | 593 41 19-01 | BELT | Belt, inner | 1 |
| 78 | 593 40 96-01 | RIM | Edging strip | 1 |
| 79 | 593 41 25-01 | PULLEY | | 1 |

H 950RX
COVER

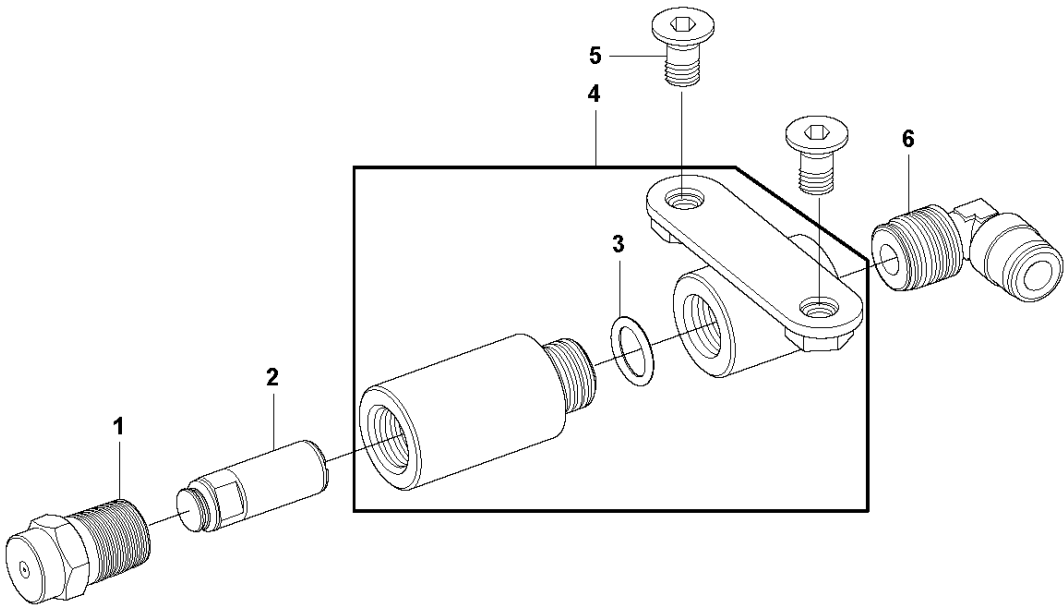


COVER

HTC 950RX, 967837705 967837706, 2021-01

| Ref | Part No | Description | Remark | QTY KIT |
|-----|--------------|--------------|---------------------------------------|---------|
| 1 | 593 52 51-02 | COVER | FLOATING COVER OUTER COMPL | 1 |
| 2 | 593 38 86-01 | TUBE | HOSE 10 mm * 1.4 m REINFORCED | 1 |
| 3 | 593 47 87-01 | HOSE | "HOSE 3"" * 1.4 m" | 1 |
| 4 | 593 45 48-02 | COVER | FLOATING COVER OUTER | 1 |
| 5 | 593 44 61-05 | STRIP | BRUSH LIST 15 mm * 3.1 m | 1 |
| 5 | 593 44 61-07 | STRIP | BRUSH LIST 15 mm * 25 m roll | 1 |
| 6 | 593 52 50-02 | COVER | FLOATING COVER INNER COMPL | 1 |
| 7 | 595 69 98-01 | COVER | COVER | 1 |
| 8 | 593 45 47-02 | COVER | FLOATING COVER INNER | 1 |
| 9 | 593 52 74-01 | COVER | FOAM VELOUR BACK 30X17 | 1 |
| 9 | 593 61 56-01 | CROSS MEMBER | VELCRO MALE 20 mm * 3 m | 1 |
| 10 | 593 52 75-01 | COVER | FOAM VELOUR BACK 30X8 | 1 |
| 10 | 593 61 56-01 | CROSS MEMBER | VELCRO MALE 20 mm * 3 m | 1 |
| 11 | 593 50 78-01 | SCREW | SCREW M6X16 | 2 |
| 12 | 593 42 38-01 | NOZZLE | NOZZLE | 1 |
| 13 | 593 51 82-01 | BRACKET | MIST BRACKET | 1 |
| 14 | 593 42 39-01 | FILTER | FILTER | 1 |
| 15 | 593 44 98-01 | CONNECTOR | "CONNECTOR ANGLE 6MM OUTS. 1/4"" " | 1 |

**950RX
MIST NOZZLE**

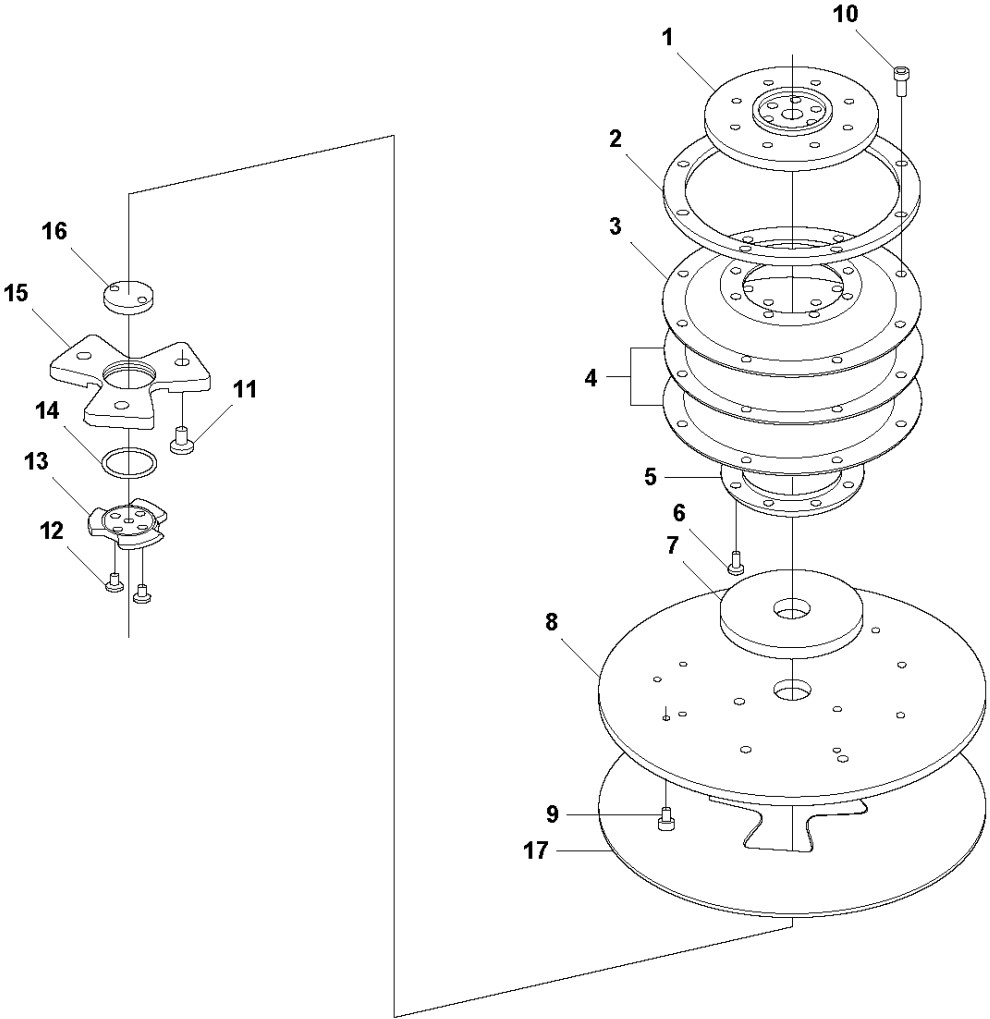


MIST NOZZLE

HTC 950RX, 967837705 967837706, 2021-01

| Ref | Part No | Description | Remark | QTY KIT |
|-----|--------------|-------------|----------------------|---------|
| 1 | 593 42 38-01 | NOZZLE | NOZZLE | 1 |
| 2 | 593 42 39-01 | FILTER | FILTER | 1 |
| 3 | 595 64 50-01 | O-RING | O-RING | 1 |
| 4 | 593 51 82-01 | BRACKET | MIST HOLDER COMPLETE | 1 |
| 5 | 593 50 78-01 | SCREW | SCREW M6X16 | 2 |
| 6 | 593 44 98-01 | CONNECTOR | CONNECTOR ANGLE | 1 |

J 950RX
GRINDING HOLDER ASSY

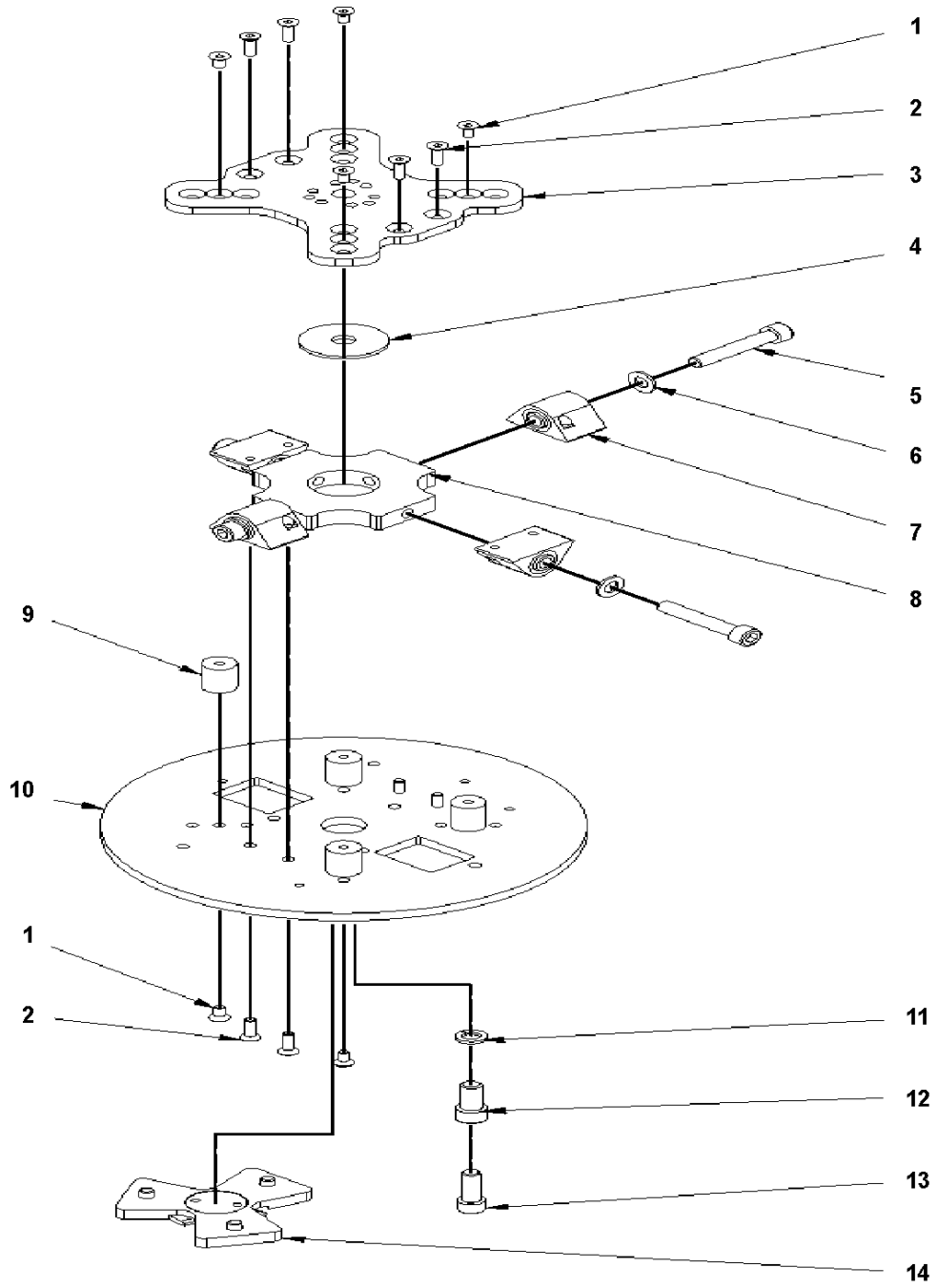


GRINDING HOLDER ASSY

HTC 950RX, 967837705 967837706, 2021-01

| Ref | Part No | Description | Remark | QTY KIT |
|-----|--------------|--------------|------------------------------------|---------|
| 1 | 593 41 10-01 | HOLDER | Grinding holder, upper HTC 950 | 1 |
| 2 | 593 41 21-01 | HOLDER | Polycord holder, outer HTC 9500 | 1 |
| 3 | 593 39 70-01 | CABLE | Polycord black 184 mm | 1 |
| 4 | 593 39 68-01 | CABLE | Polycord green 184 mm | 2 |
| 5 | 593 41 20-01 | HOLDER | Polycord holder, inner HTC 950 | 1 |
| 6 | 593 50 78-01 | SCREW | Screw MFTS M6X16 | 8 |
| 7 | 593 41 11-01 | SPRING | Spring HTC 950 | 1 |
| 8 | 593 41 22-01 | HOLDER | Lower grinding holder | 1 |
| 9 | 0 | TBD | Screw MC6S M6X10 (cancelled) | 1 |
| 10 | 593 50 07-01 | SCREW | Screw MC6S M6X16 | 8 |
| 11 | 593 49 99-01 | SCREW | Screw MFT M8X16 | 3 |
| 12 | 593 50 12-01 | SCREW | Screw MFTS M6X9 | 2 |
| 13 | 0 | TBD | Cross-piece, part 2 HTC | 1 |
| 14 | 593 41 14-01 | O-RING | O-ring 32.1mm cross | 1 |
| 15 | 593 61 57-01 | CROSS MEMBER | Cross-piece, part 1 HTC | 1 |
| 16 | 593 61 58-01 | CROSS MEMBER | Cross-piece, part 3 HTC | 1 |
| 17 | 0 | TBD | VELCRO Clos.grind.hold. 220mm | 1 |

K 950RX
GRINDING HOLDER ASSY

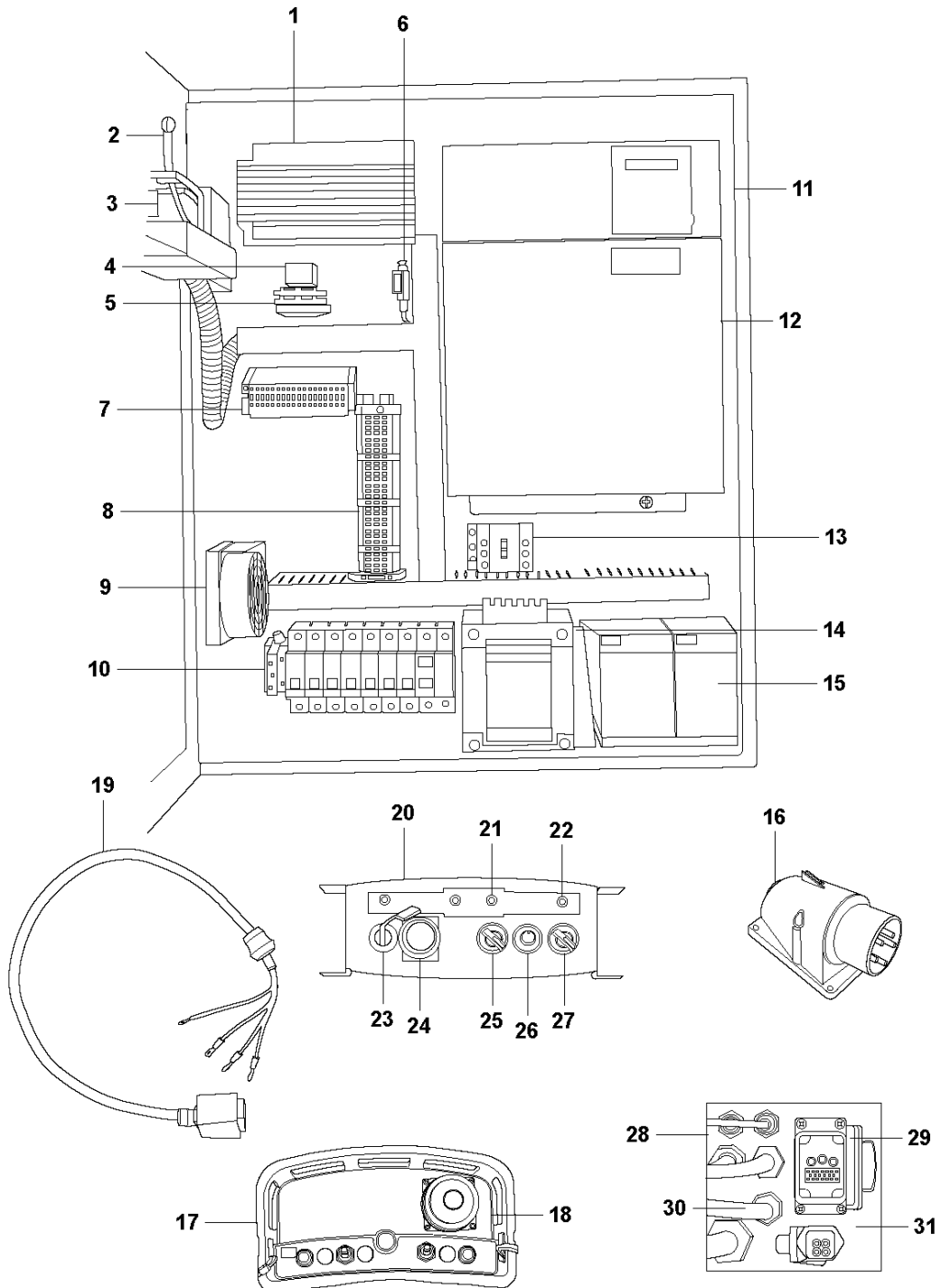


GRINDING HOLDER ASSY

HTC 950RX, 967837705 967837706, 2021-01

| Ref | Part No | Description | Remark | QTY KIT |
|-----|--------------|--------------|---------------------------------|---------|
| 1 | 593 50 85-01 | SCREW | SCREW MFTS M6X12 10.9 ZP | 8 |
| 2 | 593 50 51-01 | SCREW | SCREW MFTS M6X20 10.9 ZP | 8 |
| 3 | 593 43 82-01 | PLATE | UPPER GRIND HOLDER PLATE | 1 |
| 4 | 593 43 86-01 | HOLDER | WASHER | 1 |
| 5 | 593 49 66-01 | SCREW | SCREW MC6S M10X60 12.9 PLAIN | 4 |
| 6 | 593 49 91-01 | WASHER | WASHER BRB M10 ZP | 4 |
| 7 | 593 71 81-01 | KIT | EAR WIDE COMPLETE | 4 |
| 8 | 593 53 62-01 | CONNECTION | CARDAN CONNECTION | 1 |
| 9 | 595 74 84-01 | ABSORBER | SHOCK ABSORBER 20x25 M6 | 4 |
| 10 | 593 43 85-01 | PLATE | GRIND HOLDER PLATE | 1 |
| 11 | 593 50 99-01 | LOCKWASHER | WASHER A 10 DIN 127 | 1 |
| 12 | 593 50 36-01 | SCREW | SCREW MC6S M12X25 8.8 ZP | 1 |
| 13 | 593 50 41-01 | SCREW | SCREW MC6S M10X30 12.9 PLAIN | 1 |
| 14 | 593 61 59-01 | CROSS MEMBER | CROSS COMPLETE | 1 |

L 950RX
ELECTRICAL CABINET



ELECTRICAL CABINET

HTC 950RX, 967837705 967837706, 2021-01

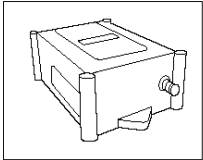
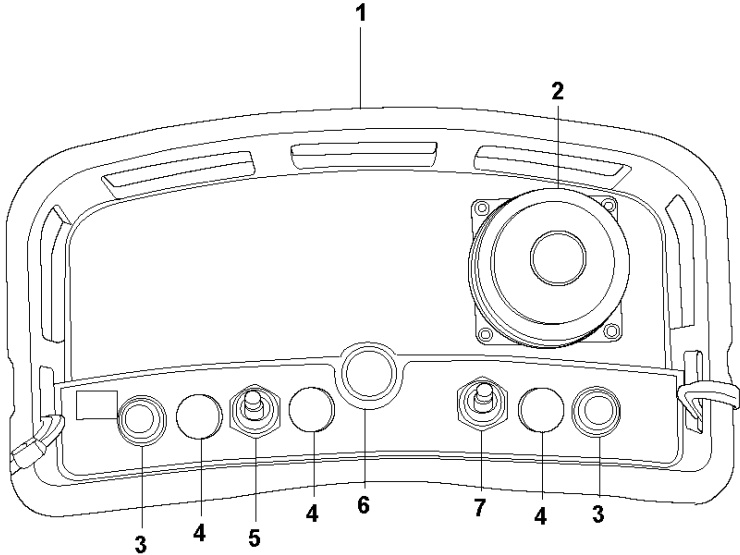
| Ref | Part No | Description | Remark | QTY KIT |
|-----|--------------|--------------------|-------------------------------|---------|
| 1 | 593 43 52-01 | BATTERY CHARGER | CHARGER | 1 |
| 2 | 593 39 53-01 | HOUR METER | HOUR METER | 1 |
| 3 | 593 42 99-01 | KNOB | MIST SWITCH | 1 |
| 3 | 593 61 49-01 | BASE | MOUNTING BASE | 1 |
| 3 | 593 39 96-01 | BLOCK | CONTACT BLOCK GREEN (NO) | 2 |
| 4 | 593 44 28-01 | RELAY | RELAY | 1 |
| 4 | 593 46 10-01 | BASE | RELAY SOCKEL | 1 |
| 5 | 593 55 35-01 | FUSE | FUSE 4A | 2 |
| 5 | 593 55 28-01 | TERMINAL | FUSE TERMINAL | 2 |
| 6 | 595734101 | TBD | FUSE 20A | 1 |
| 6 | 595734201 | TBD | FUSE TERMINAL | 1 |
| 7 | 593 44 85-01 | TERMINAL BLOCK | TERMINAL BLOCK 2.5N GREY | 16 |
| 7 | 593 55 37-01 | TERMINAL BLOCK | TERMINAL BLOCK 4N GREY | 2 |
| 8 | 593 44 85-01 | TERMINAL BLOCK | TERMINAL BLOCK 2.5N GREY | 22 |
| 8 | 593 55 37-01 | TERMINAL BLOCK | TERMINAL BLOCK 4N GREY | 3 |
| 8 | 595733801 | TBD | TERMINAL BLOCK 4N GREEN | 3 |
| 9 | 593 45 82-01 | FAN | FILTER FAN | 1 |
| 9 | 593 47 51-01 | FILTER HOLDER | FILTER HOLDER | 1 |
| 10 | 593 55 34-01 | FUSE | FUSE 1.25A | 1 |
| 10 | 593 55 28-01 | TERMINAL | FUSE TERMINAL | 1 |
| 10 | 593 44 47-01 | FUSE | FUSE 2POL C10A | 1 |
| 10 | 593 44 48-01 | FUSE | FUSE 1POL D10A | 2 |
| 10 | 593 44 16-01 | FUSE | FUSE 1POL B4A | 1 |
| 10 | 593 43 81-01 | FUSE | FUSE 2POL C1A | 1 |
| 10 | 593 45 33-01 | FUSE | RCD ID 2POL 25A 30mA | 1 |
| 11 | 593 47 51-01 | FILTER HOLDER | FILTER HOLDER | 1 |
| 12 | 593 69 74-02 | FREQUENCY INVERTER | Before serial number 91901020 | 1 |
| 12 | 598 87 55-01 | POWER UNIT | After serial number 91901020 | 1 |
| 13 | 593 45 36-01 | CONTACTOR | CONTACTOR | 1 |
| 14 | 593 43 56-01 | TRANSFORMER | TRANSFORMER | 1 |
| 15 | 593 42 54-01 | BATTERY | BATTERY | 2 |
| 16 | 593 40 01-01 | INLET | POWER INLET EU | 1 |
| 16 | 593 40 13-01 | INLET | POWER INLET US | 1 |
| 17 | 593 61 67-01 | TRANSMISSION | RADIO SYSTEM | 1 |
| 18 | 593 46 17-01 | JOYSTICK | JOYSTICK | 1 |
| 19 | 593 44 13-01 | CABLE | MOTOR CABLE | 1 |
| 19 | 595 74 10-01 | CABLE | MOTOR CABLE US | 1 |
| 20 | 593 44 12-01 | CONTROL PANEL | OPERATOR PANEL | 1 |
| 21 | 593 55 36-01 | DIODE | LED RED | 1 |
| 22 | 595734301 | TBD | LED GREEN | 1 |
| 23 | 593 43 58-01 | KNOB | KEY KNOB 3-POS | 1 |
| 23 | 593 61 49-01 | BASE | MOUNTING BASE | 1 |
| 23 | 593 39 97-01 | BLOCK | CONTACT BLOCK RED (NC) | 1 |
| 23 | 593 39 96-01 | BLOCK | CONTACT BLOCK GREEN (NO) | 1 |
| 24 | 593 40 67-01 | PUSH BUTTON | EMERGENCY STOP PRESS BUTTON | 1 |
| 24 | 593 61 49-01 | BASE | MOUNTING BASE | 1 |
| 24 | 593 39 97-01 | BLOCK | CONTACT BLOCK RED (NC) | 1 |
| 25 | 593 42 99-01 | KNOB | KNOB 2-POS | 1 |
| 25 | 593 61 49-01 | BASE | MOUNTING BASE | 1 |
| 25 | 593 39 96-01 | BLOCK | CONTACT BLOCK GREEN (NO) | 1 |
| 26 | 593 42 07-01 | KNOB | POTENTIOMETER KNOB | 1 |
| 26 | 593 42 07-01 | KNOB | POTENTIOMETER | 1 |
| 27 | 593 42 99-01 | KNOB | KNOB 2-POS | 1 |
| 27 | 593 61 49-01 | BASE | MOUNTING BASE | 1 |

ELECTRICAL CABINET

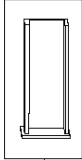
HTC 950RX, 967837705 967837706, 2021-01

| Ref | Part No | Description | Remark | QTY KIT |
|-----|--------------|-------------|--------------------------|---------|
| 27 | 593 39 96-01 | BLOCK | CONTACT BLOCK GREEN (NO) | 1 |
| 28 | 593 45 46-01 | CABLE | DRIVE MOTOR CABLE | 2 |
| 29 | 593 55 32-01 | SOCKET | MOTOR CABLE OUTLET | 1 |
| 30 | 593 55 42-01 | CABLE | OPERATOR PANEL CABLE | 1 |
| 31 | 595735701 | TBD | MIST CABLE OUTLET | 1 |
| 31 | 595 74 07-01 | INLET | MIST CABLE OUTLET US | 1 |
| 32 | 593 55 57-01 | CABLE | CABLE PANEL - RECEIVER | 1 |

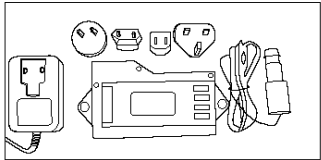
M 950RX
REMOTE CONTROL



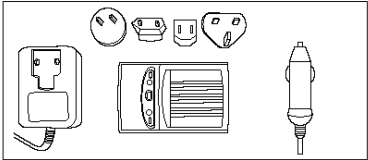
8



9



10



11

12



REMOTE CONTROL

HTC 950RX, 967837705 967837706, 2021-01

| Ref | Part No | Description | Remark | QTY KIT |
|-----|--------------|-----------------|--|---------|
| 1 | 593 61 67-01 | TRANSMISSION | RADIOSYSTEMRX | 1 |
| 1 | 593 61 69-01 | TRANSMISSION | RADIOSYSTEMRX US | 1 |
| 1 | 593 46 26-01 | TRANSMISSION | SPARETRANSMITTER SERIAL NO: 999 | 1 |
| 1 | 593 55 62-01 | TRANSMISSION | SPARETRANSMITTER SERIAL NO: 96001 | 1 |
| 2 | 593 46 17-01 | JOYSTICK | JOYSTICK | 1 |
| 3 | 593 48 52-01 | PUSH BUTTON | PUSH BUTTON | 2 |
| 3 | 593 48 53-01 | PROTECTION | DUST SHIELD | 2 |
| 4 | 593 48 51-01 | POTENTIOMETER | POTENTIOMETER | 2 |
| 5 | 593 45 62-01 | TOGGLE SWITCH | TOGGLESWITCHL-O-L | 1 |
| 6 | 593 43 07-01 | SWITCH KIT | EMERGENCY PUSH BUTTON | 1 |
| 6 | 595 79 64-01 | STOP | EMERGENCYPIEZO PUSH BUTTON | 1 |
| 7 | 593 48 03-01 | TOGGLE SWITCH | TOGGLESWITCHL-O | 1 |
| 7 | 595 79 65-01 | CABLE | CABLEFORTOGGLESWIT CHES AND PUSH BUTTONS | 8 |
| 8 | 593 61 68-01 | TRANSMISSION | RECEIVER SERIAL NO: 96001 | 1 |
| 9 | 593 43 09-01 | BATTERY | BATTERY 1500mAh 7,2V | 1 |
| 10 | 593 48 42-01 | BATTERY CHARGER | CHARGER 7.2V (12V/24V DC and adapterfor GB,AUS, US &EU) | 1 |
| 11 | 595 79 59-01 | BATTERY | CHARGERAAATTERY(1 2V/24V DC and adapterfor GB,AUS, US &EU) | 1 |
| 12 | 593 41 73-01 | DECAL | | 1 |