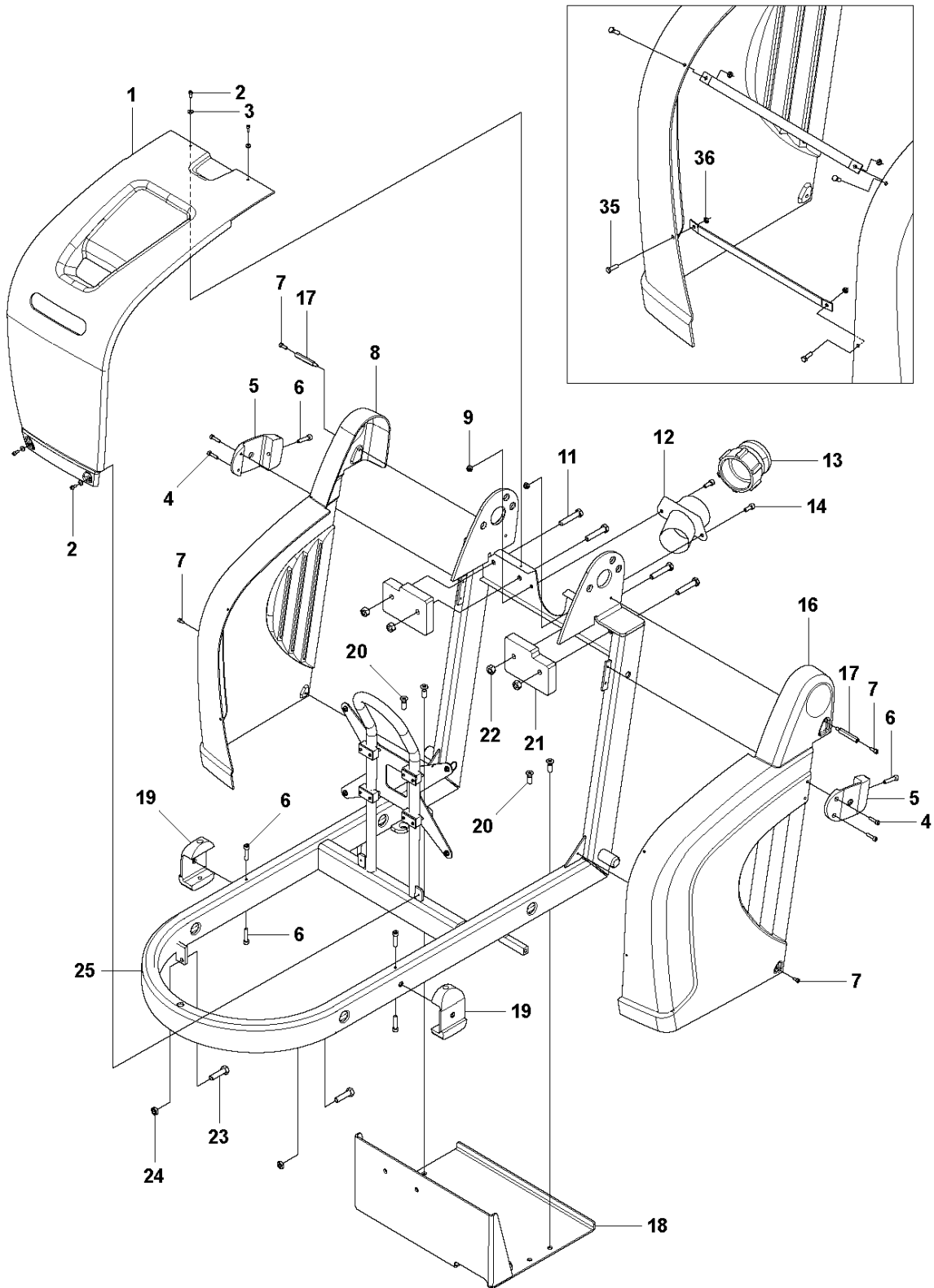


# SPARE PARTS LIST

SURFACE PREPARATION EQUIPMENT

HTC 800RXP, 967838803, 2019-09

**A** 800RXP  
PANELS

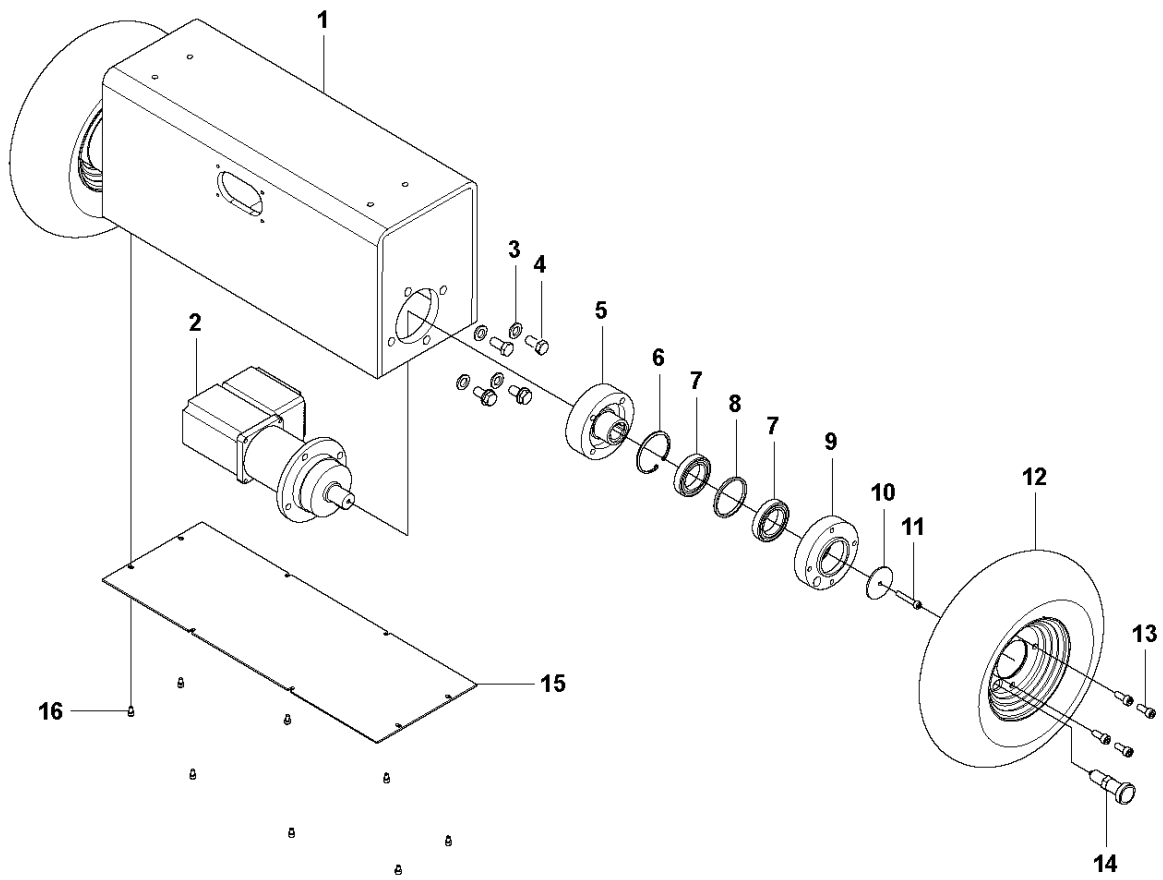


## PANEL

HTC 800RXP, 967838803, 2019-09

Ref	Part No	Description	Remark	QTY KIT
1	593 42 11-01	COVER	COVER TOP	1
2	593 50 19-01	SCREW	SCREW M5X8	2
3	593 50 43-01	WASHER	WASHER M5	6
4	593 49 78-01	SCREW	SCREW M6X25	4
5	593 42 21-01	WEAR PROTECTION	WEAR PROT UPPER	2
6	593 50 40-01	SCREW	SCREW M8X35	2
7	593 49 73-01	SCREW	SCREW M6X12	4
8	593 42 12-01	COVER	COVER RIGHT SIDE	1
9	593 49 98-01	LOCK NUT	LOCKNUT M8	2
11	597 92 20-02	SCREW		
12	593 51 83-01	HOLDER	"HOLDER 3"" CAMLOCK PIPE 76"	1
13	593 45 75-01	THREAD INSERT	"CAMLOCK MALE ALU THREAD IR 3"""	1
14	593 49 96-01	SCREW	SCREW M8X25	12
16	593 42 25-01	COVER	COVER LEFT SIDE	1
17	593 50 69-01	SCREW	DSS SCREW M6X60	
18	595708301	TBD		
19	593 41 38-01	WEAR PROTECTION	WEAR PROT LOWER	2
20	593 50 24-01	SCREW		
21	596 81 67-01	WEIGHT	WEIGHT	2
22	593 49 53-01	LOCK NUT		
23	593 49 80-01	SCREW	SCREW M12X45	2
24	593 50 45-01	NUT	NUT M12	2
25	595 70 82-03	CHASSIS	FRAME	1
35	593 50 20-01	SCREW		1
36	593 50 65-01	LOCK NUT		1

**B** 800RXP  
DRIVING BOX

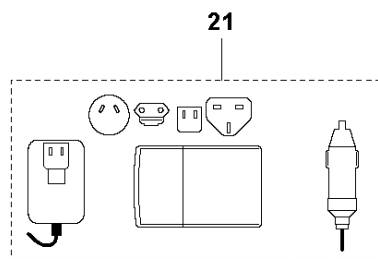
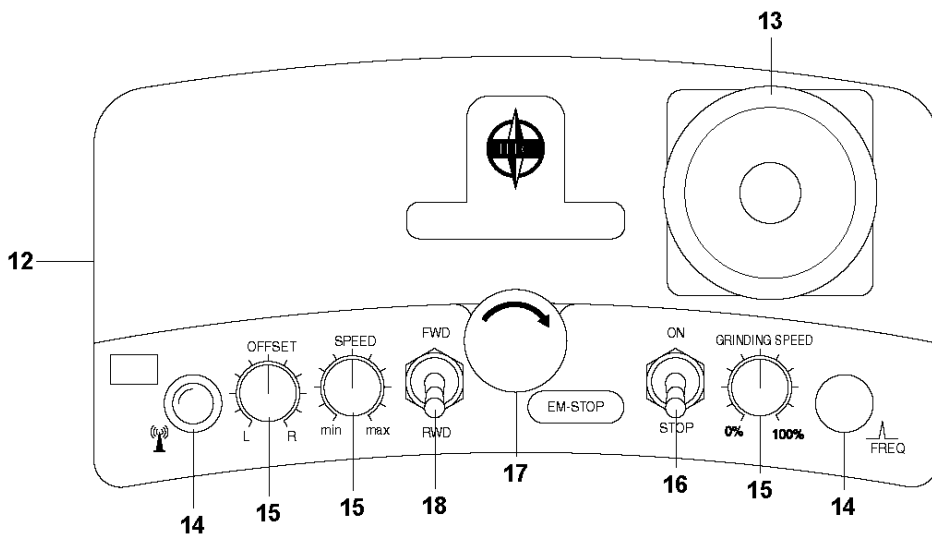
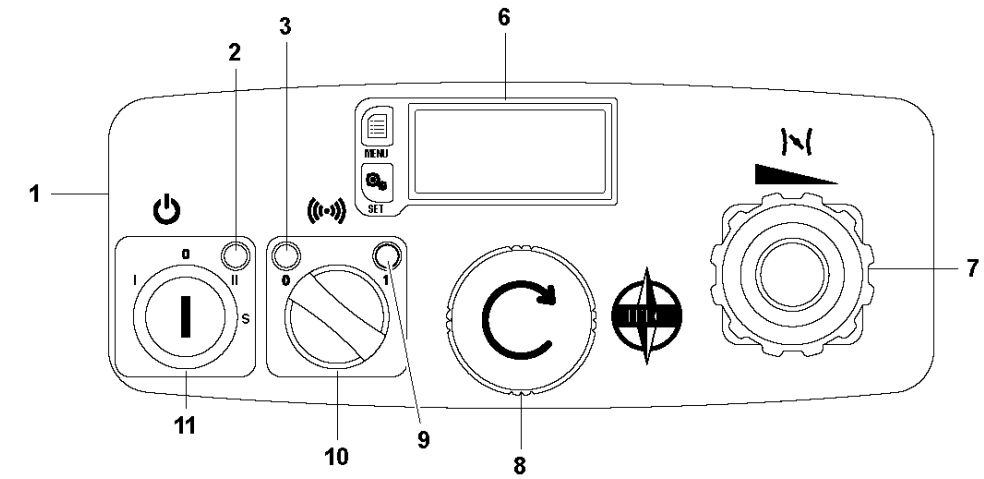


## DRIVING BOX

HTC 800RXP, 967838803, 2019-09

Ref	Part No	Description	Remark	QTY KIT
1	593 52 88-01	BOX	DRIVING BOX	1
2	593 47 04-01	DRIVER	DRIVE PACKAGE RX	2
3	593 49 94-01	WASHER	WASHER BRB M12 ZP	8
4	593 49 59-01	SCREW	SCREW M6SH M12x25 8.8 ZP	8
5	593 41 46-01	HUB	HUB WHEEL LOCKING	2
6	593 50 46-01	CIRCLIP	CIRCLIP SGH 62	2
7	593 41 63-01	BALL BEARING	BALL BEARING 61908- 2RS1	4
8	593 41 49-01	SPACER	SPACER WHEEL LOCKING	2
9	593 41 47-01	SLEEVE	SLEEVE WHEEL LOCKING	2
10	593 41 48-01	WASHER	WASHER WHEEL LOCKING	2
11	593 50 42-01	SCREW	SCREW MC6S M6X35 8.8 ZP	2
12	593 46 90-01	WHEEL	WHEEL	2
13	593 50 28-01	SCREW	SCREW MC6S M8X20 8.8 ZP	8
14	593 41 39-01	PISTON	LEVER INDEXING PLUNGER WHEEL	2
15	593 52 89-01	LID	LID DRIVING BOX	1
16	593 50 19-01	SCREW	SCREW MC6S M5X8 8.8 ZP	8

**C** 800RXP  
CONTROL PANEL & REMOTE

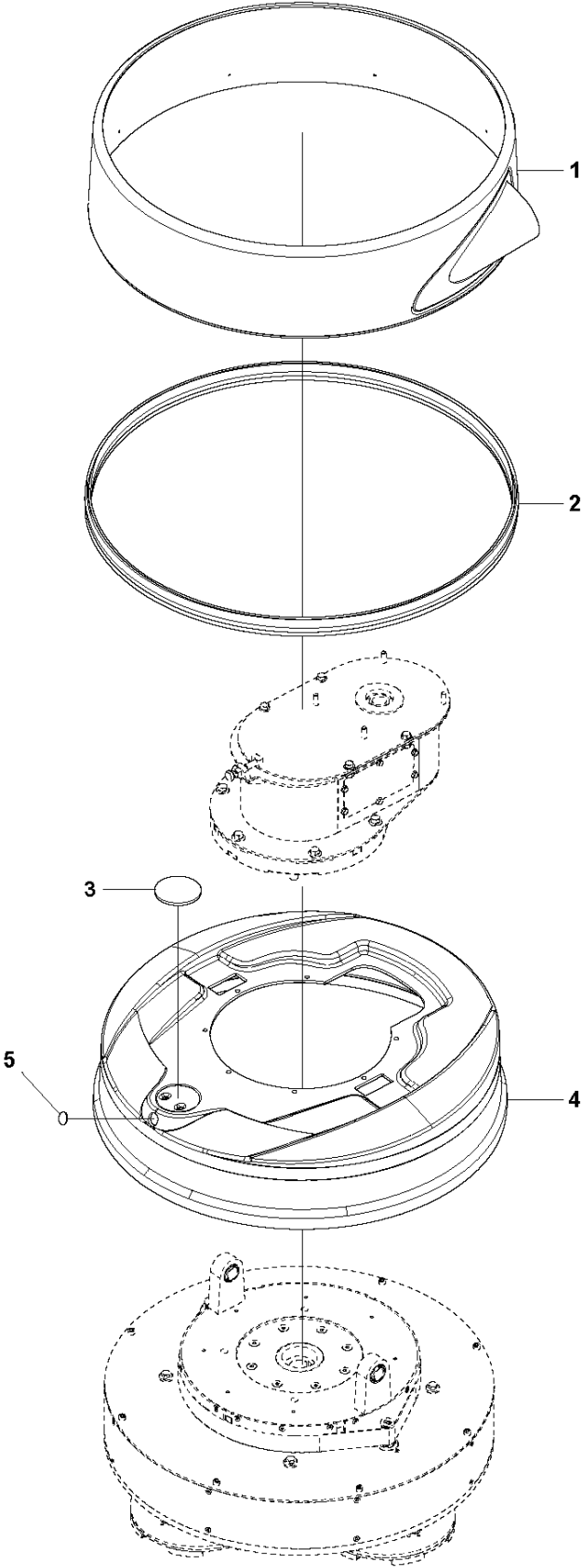


## CONTROL PANEL &amp; REMOTE

HTC 800RXP, 967838803, 2019-09

Ref	Part No	Description	Remark	QTY KIT
1	598729701	TBD	Metal Plate Control Panel	1
2	598723101	TBD	LED 8mm Green 12V	1
3	598723301	TBD	LED 8mm RED 2V	1
6	597 63 91-01	DISPLAY		
7	599 55 09-02	THROTTLE ASSY	THROTTLE CABLE RXP	1
8	598 72 95-01	STOP	EM-Stop	1
9	598723601	TBD	LED 8mm Green 2V	1
10	598 72 56-01	SWITCH	Switch	1
11	598 72 57-01	SWITCH	Start Key switch	1
11	598729901	TBD	Socket insulator	1
12	593 61 67-01	TRANSMISSION	RADIO SYSTEM RX	1
12	593 61 69-01	TRANSMISSION	RADIO SYSTEM RX US	1
12	593 46 26-01	TRANSMISSION	SPARE TRANSMITTER SERIAL NO: 999	1
12	593 55 62-01	TRANSMISSION	SPARE TRANSMITTER SERIAL NO: 96001	1
13	593 46 17-01	JOYSTICK	JOYSTICK	1
14	593 48 52-01	PUSH BUTTON	PUSH BUTTON	2
14	593 48 53-01	PROTECTION	DUST SHIELD	2
15	593 48 51-01	POTENTIOMETER	POTENTIOMETER	2
16	593 45 62-01	TOGGLE SWITCH	TOGGLE SWITCH L-O-L	1
17	593 43 07-01	SWITCH KIT	EMERGENCY PUSH BUTTON	1
17	595 79 64-01	STOP	EMERGENCY PIEZO PUSH BUTTON	1
18	593 48 03-01	TOGGLE SWITCH	TOGGLE SWITCH L-O	1
21	595 79 59-01	BATTERY	CHARGER AA BATTERY	1

**D** 800RXP  
COVER



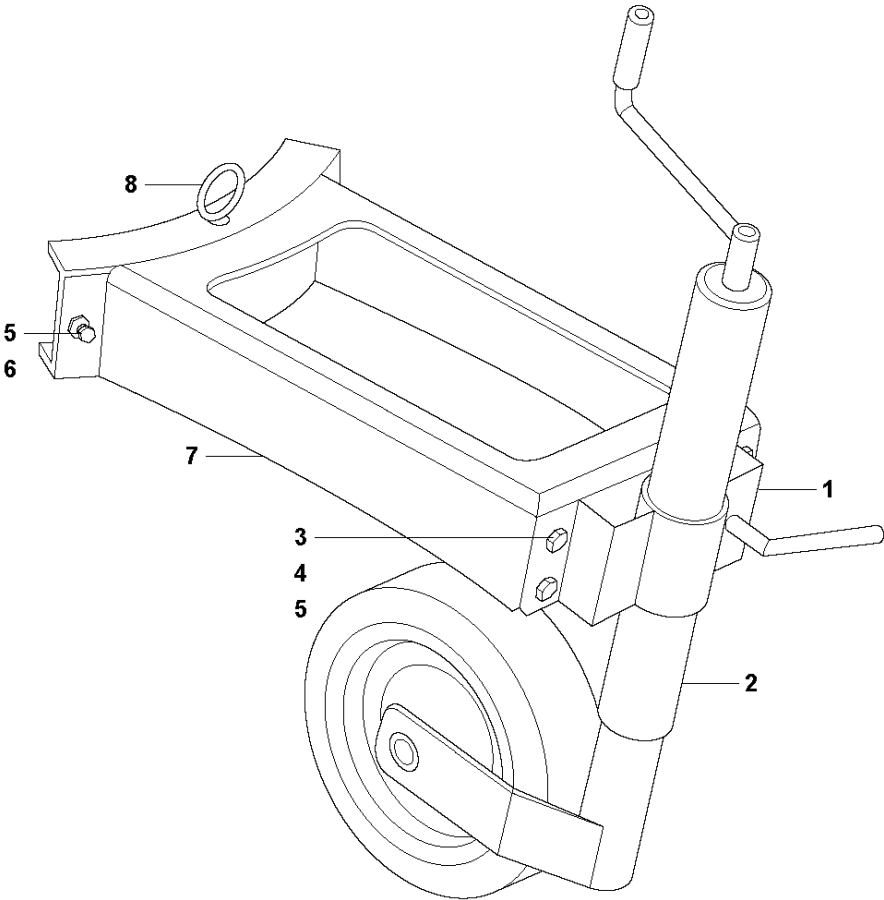


## COVER

HTC 800RXP, 967838803, 2019-09

Ref	Part No	Description	Remark	QTY KIT
1	593 52 87-01	COVER	FLOATING COVER OUTER	1
2	593 44 61-04	STRIP	BRUSH LIST 15 mm * 2.7 m	1
2	593 44 61-07	STRIP	BRUSH LIST 15 mm * 25 m roll	1
3	593 42 60-01	DECAL	DEKAL DOME Ø85	1
5	593 62 89-01	PLUG	RÖRPLUGG Ø30 (se pdf)	1
4	595 69 99-01	COVER	FLOATING COVER INNER	1

**E** 800RXP  
SUPPORT WHEEL

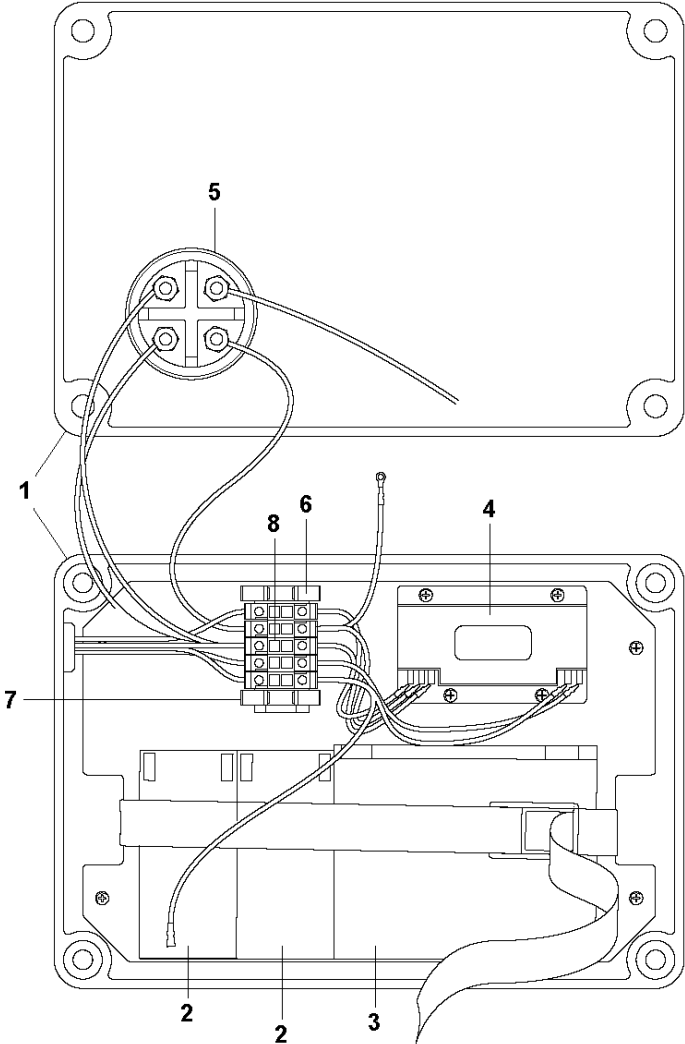


## SUPPORT WHEEL

HTC 800RXP, 967838803, 2019-09

Ref	Part No	Description	Remark	QTY KIT
1	593 47 01-01	WHEEL BRACKET	BRACKET SUPORT WHEEL	1
2	593 47 00-01	SUPPORT WHEEL	SUPPORT WHEEL	1
3	593 49 91-01	WASHER	WASHER M10	4
4	593 49 58-01	LOCK NUT	LOCK NUT M10	4
5	593 49 97-01	SCREW	SCREW M10x30	6
6	593 50 09-01	NUT	NUT M10	2
7	593 53 01-01	CHASSIS	SUPPORT WHEEL CHASSIS	1
8	593 44 06-01	WHEEL	PIN	1

**F** 800RXP  
BATTERY BOX

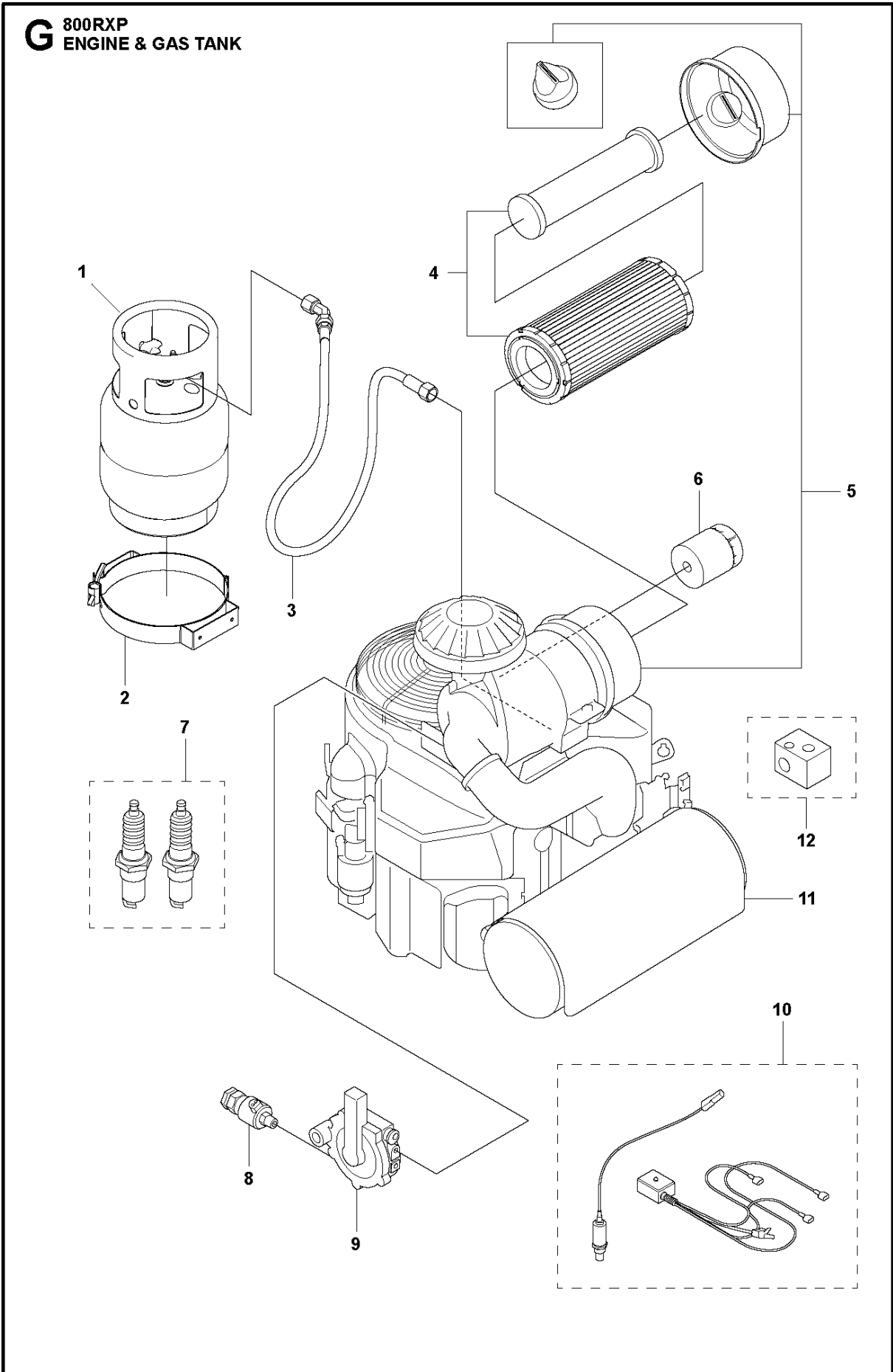


## BATTERY BOX

HTC 800RXP, 967838803, 2019-09

Ref	Part No	Description	Remark	QTY KIT
1	598 73 03-01	BOX	Enclosure, ABS	1
2	593 49 16-01	BATTERY	Battery 12V8,5Ah	2
3	596 60 87-01	BATTERY	Battery 12V20Ah	1
4	597 34 37-01	TRANSFORMER	DC/DC Converter	1
5	598730601	TBD	Battery Disconnecter	1
6	598730601	TBD		1
7	598728201	TBD		1
8	598724601	TBD	Feed-through terminal block	5

**G** 800RXP  
ENGINE & GAS TANK

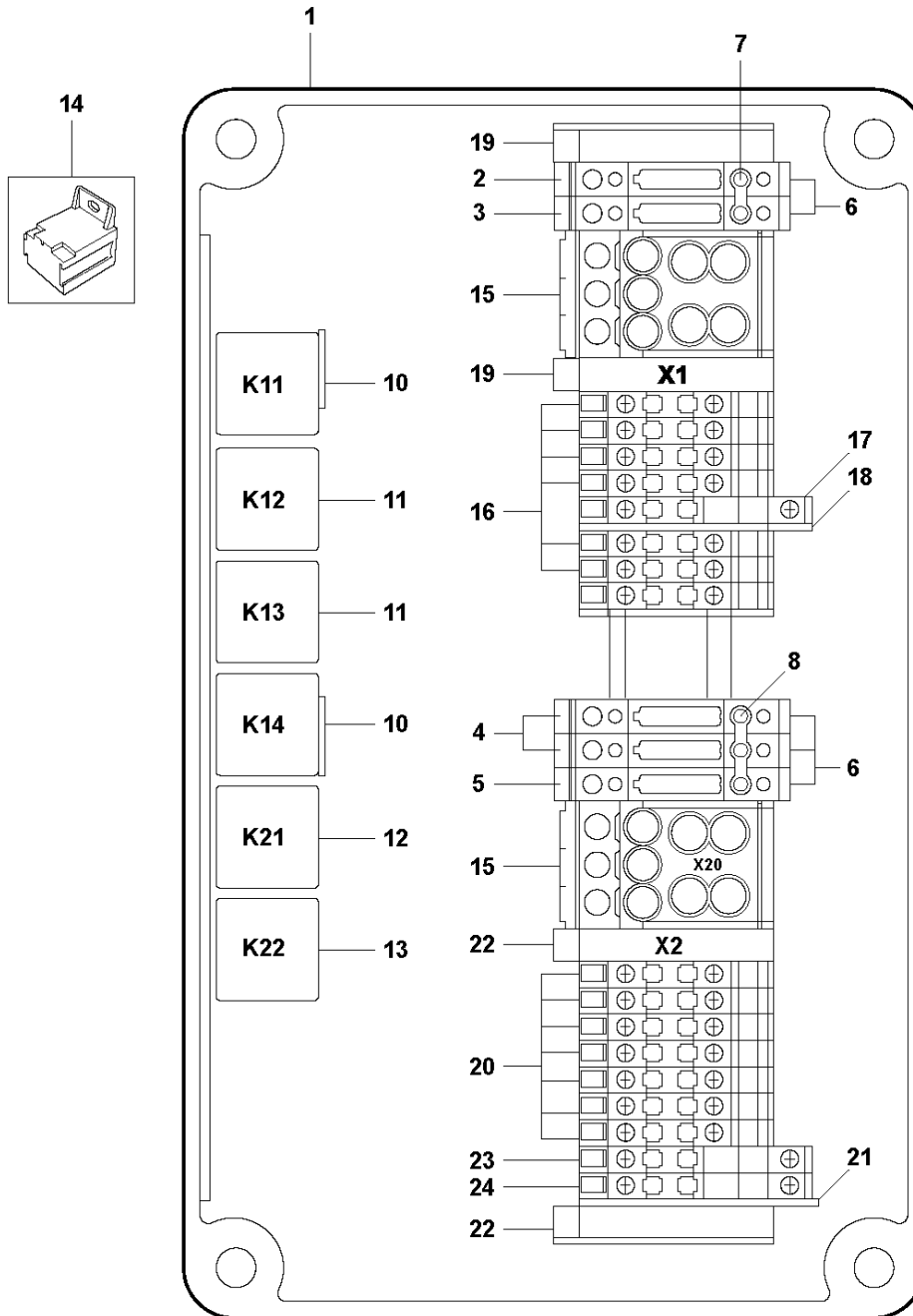


## ENGINE

HTC 800RXP, 967838803, 2019-09

Ref	Part No	Description	Remark	QTY KIT
1	596 88 27-01	TANK	PROPAN TANK	1
2	596 90 90-01	STRAP	STRAP ASSEMBLY	1
3	598481001	TBD	High pressure hose assembly	1
4	582 28 50-31	AIR FILTER	Primary air filter	1
5	598481101	TBD	complete air cleaner assembly	1
6	579 36 52-01	OIL FILTER	Oil filter	1
7	591 26 81-01	PLUG	spark plugs	2
8	591 25 66-01	LOCK	fuel solenoid	1
9	591 25 19-01	REGULATOR	regulator	1
10	591 25 49-01	SENSOR	emission sensor and module	1
11	598 86 79-01	MUFFLER		1
12	596 87 67-02	BRACKET		1

**H** 800RXP  
RELAY BOX



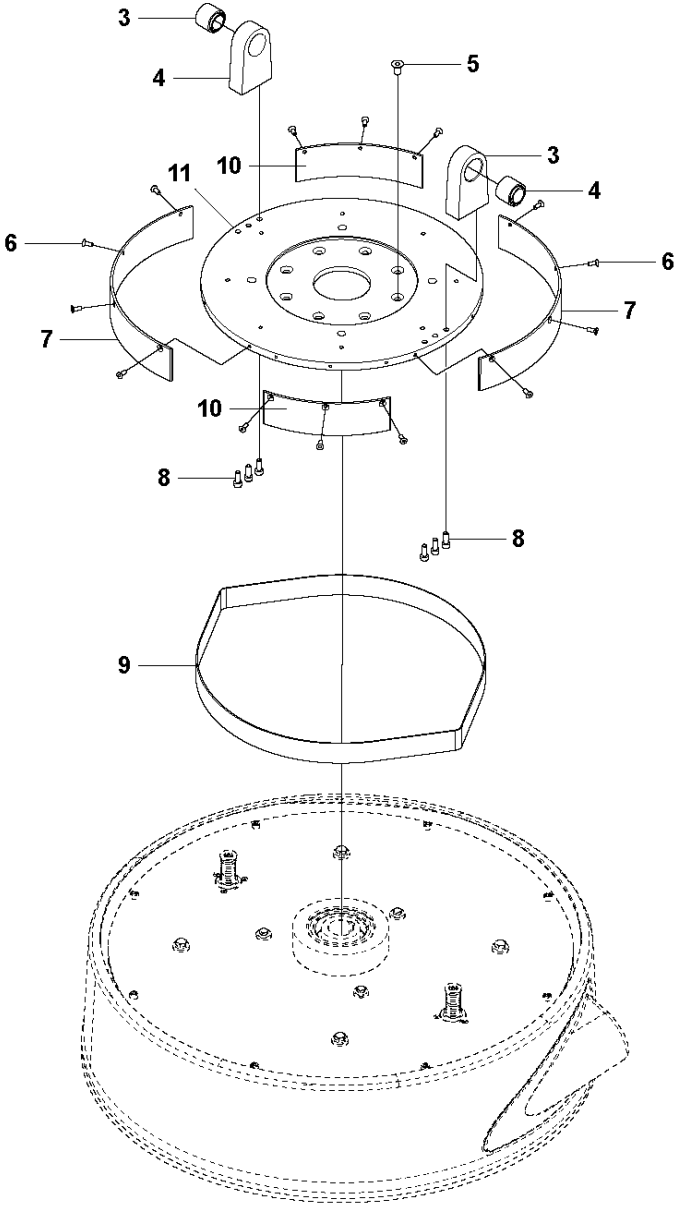


## FUSE AND RELAYS

HTC 800RXP, 967838803, 2019-09

Ref	Part No	Description	Remark	QTY KIT
1	598730201	TBD	Enclosure, PC	1
2	598728501	TBD	Blade fuse 6A	1
3	593 55 80-01	FUSE	Blade fuse 20A	1
4	598728601	TBD	Blade fuse 15A	2
5	598728701	TBD	Blade fuse 2A	1
6	598724701	TBD	Fuse modular terminal block	5
7	598728001	TBD	Fixed bridge	1
8	598728101	TBD	Fixed bridge	1
	598729301	TBD	Separating plate	3
10	598723701	TBD	Relay 50A 12V	2
11	598723801	TBD	Relay 50A 12V	2
12	597 63 89-01	RELAY	Relay 40A 24V	1
13	597 63 90-01	RELAY	Relay 40A 24V	1
14	598730101	TBD	Socket for Mini Relay	6
15	598730001	TBD	Distribution block	2
17	598724901	TBD	Component terminal block	1
23	598725101	TBD	Component terminal block	1
24	598725201	TBD	Component terminal block	1

**800RXP  
GRINDING HEAD UPPER**

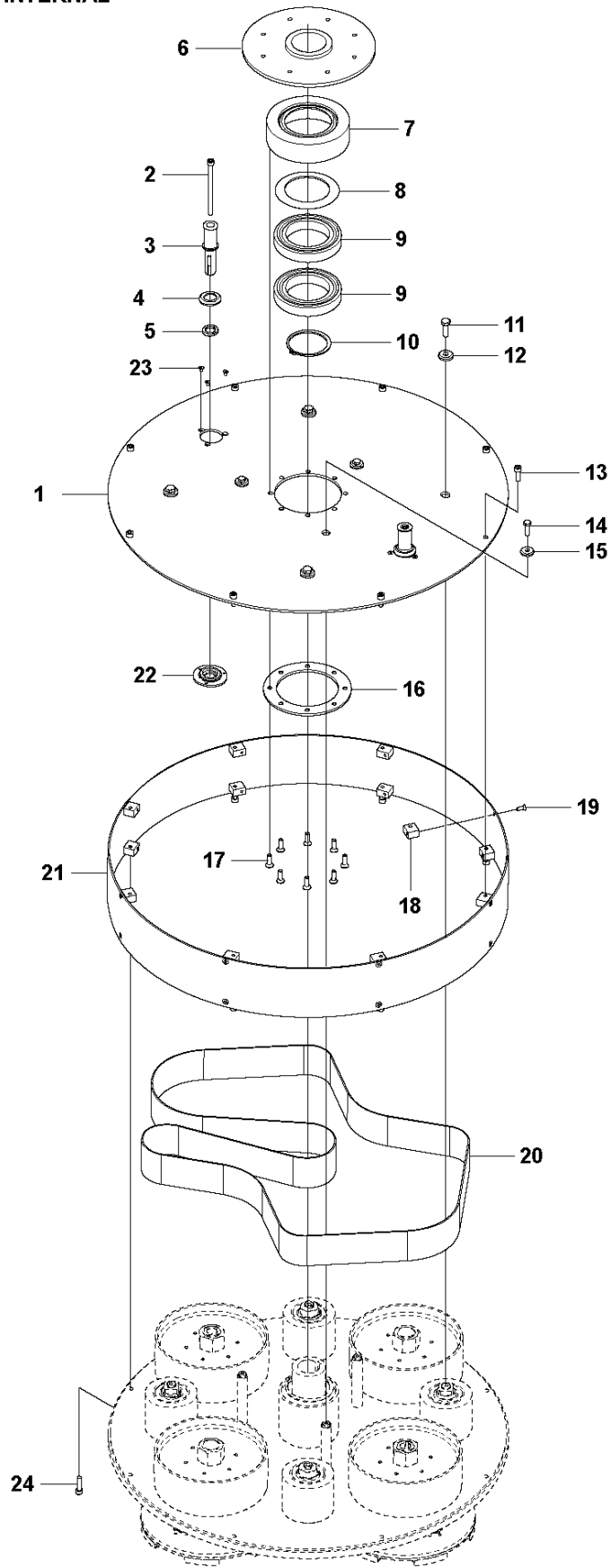


## GRINDING HEAD UPPER

HTC 800RXP, 967838803, 2019-09

Ref	Part No	Description	Remark	QTY KIT
3	593 42 18-01	BUSHING	BUSHING 25-40_30-35	2
4	593 42 26-01	HINGE	HOLD	2
5	593 50 05-01	SCREW	SCREW M10X20	8
6	593 50 78-01	SCREW	SCREW M6X16	30
7	593 42 63-01	RING	BELT RING PART 2	2
8	593 50 28-01	SCREW	SCREW M8X20	20
9	593 41 82-01	POLY-V BELT	BELT UPPER POLY-V QPJ1549-16	1
10	593 42 64-01	RING	BELT RING PART 1	2
11	593 41 60-01	ENGINE PLATE	MOTOR PLATE	1

**J** 800RXP  
GRINDING HEAD INTERNAL

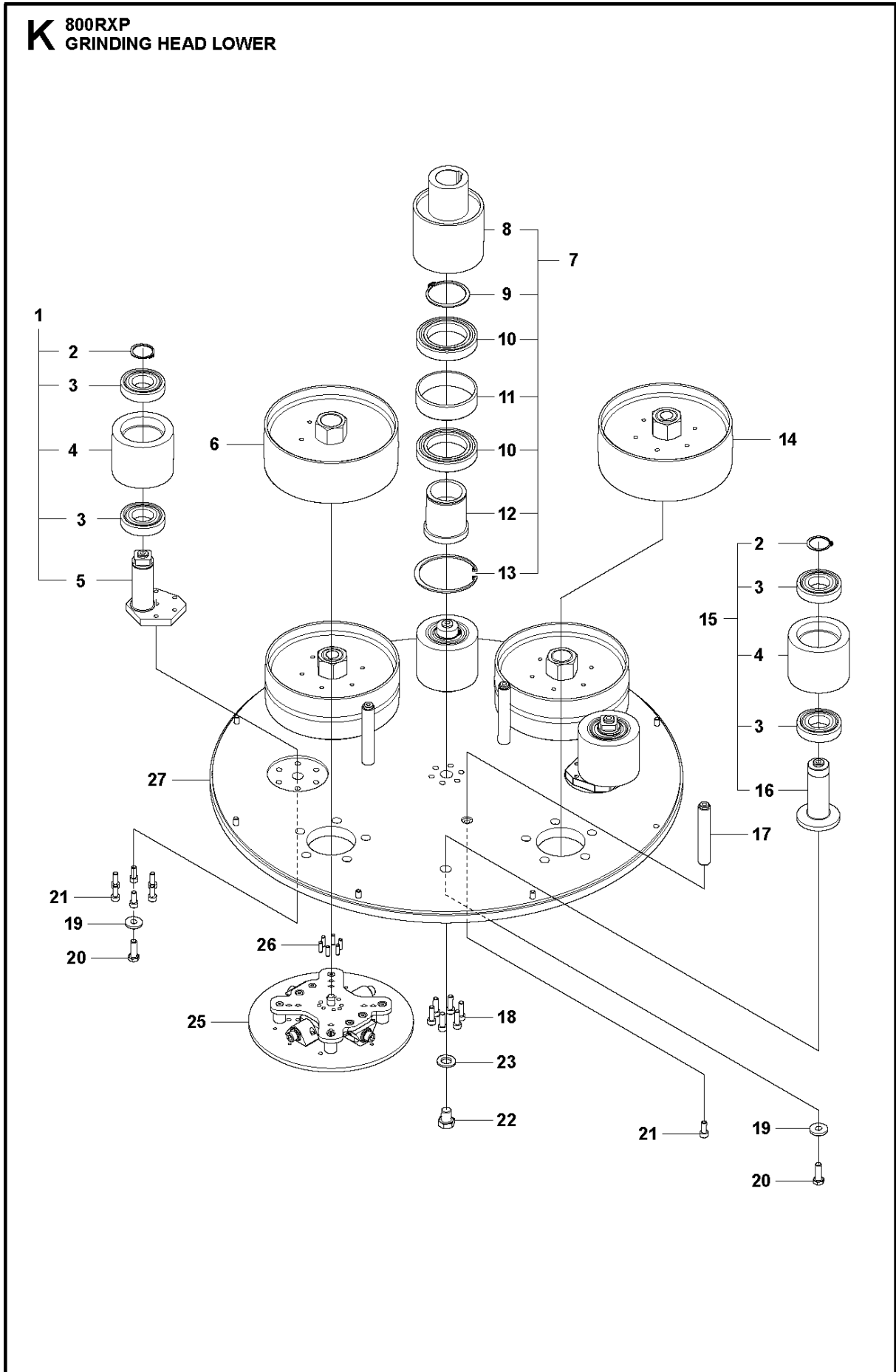


## GRINDING HEAD INTERNAL

HTC 800RXP, 967838803, 2019-09

Ref	Part No	Description	Remark	QTY KIT
1	593 41 61-01	LID	UPPER METAL PLATE	1
2	593 50 59-01	SCREW	SCREW M8X120	2
3	593 41 05-01	SHAFT	SHAFT TAP	2
4	593 41 16-01	RING	GAMMA RING 9RB 25X42X04	2
5	593 41 15-01	RADIAL SEAL	RADIAL SEAL CR20X30X5 HMS5RG	2
6	593 41 58-01	HUB	HUB ENGINE PLATE	1
7	593 40 95-01	CUP	BEARING CUP	1
8	593 41 17-01	RING	NILOS RING 6017 JV	1
9	593 41 18-01	BALL BEARING	BALL BEARING 6017- 2RS1 C3	2
10	593 50 32-01	CIRCLIP	CIRCLIP SGA 85	1
11	593 49 97-01	SCREW	SCREW M10X30	8
12	593 49 85-01	WASHER	WASHER TBRSB M10 ZP	8
13	593 50 28-01	SCREW	SCREW M8X20	29
14	593 49 52-01	SCREW	SCREW M8X25	3
15	593 49 62-01	WASHER	WASHER TBRSB M8 ZP	3
16	593 40 98-01	COVER	COVER CENTER HUB	1
17	593 50 17-01	SCREW	SCREW M8X25	8
18	593 41 02-01	FIXING WASHER	FIXING BOSS	16
19	593 50 78-01	SCREW	SCREW M6X16	30
20	593 41 89-01	BELT	BELT INNER S250H70X2740	1
21	593 41 53-01	RIM	BORDER	1
22	593 41 03-01	SPACER	SPACER BELT TENSIONER	2
23	593 49 72-01	SCREW	SCREW M5X8	6
24	593 49 96-01	SCREW	SCREW M8X25	14

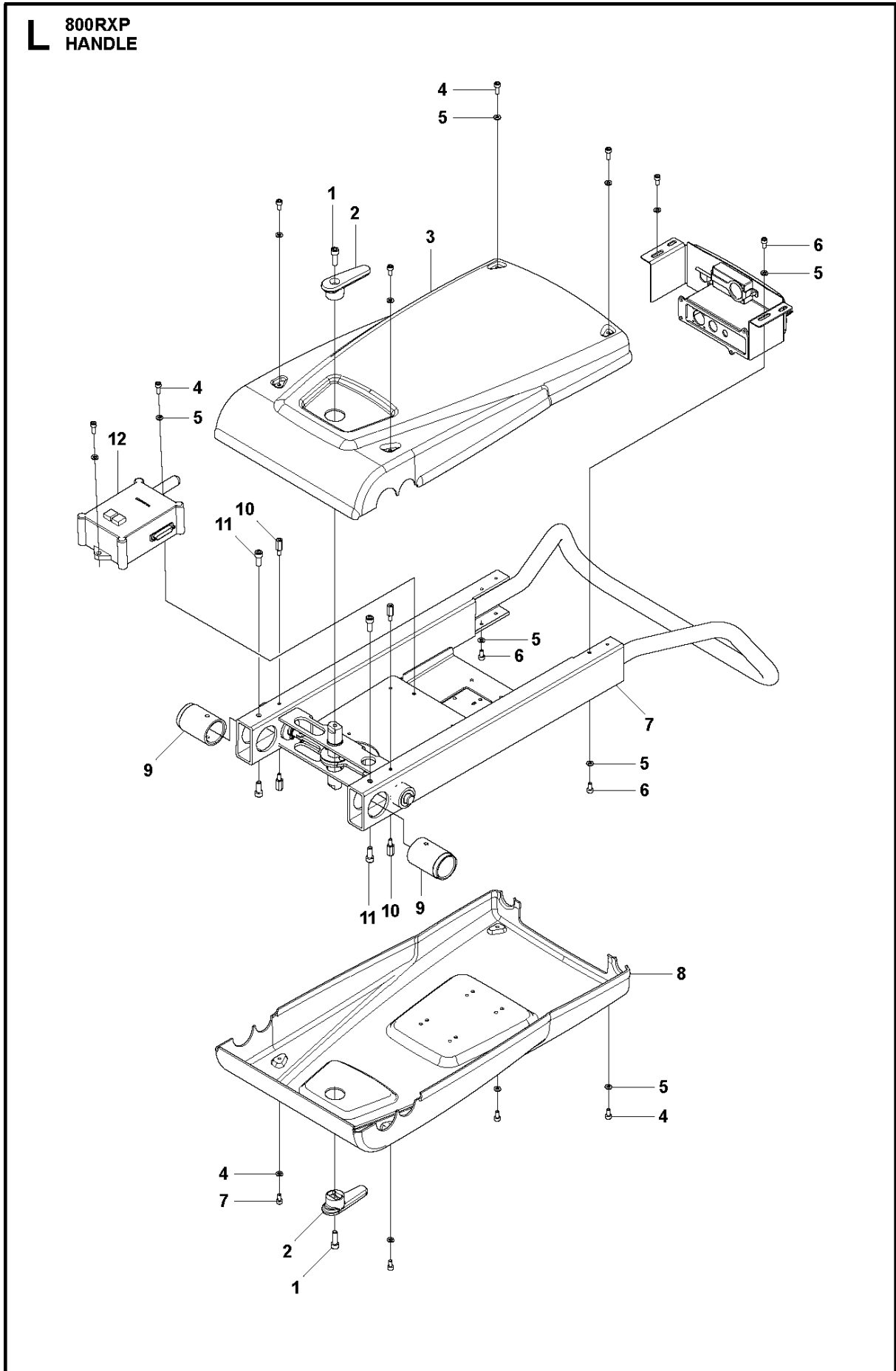
**K** 800RXP  
GRINDING HEAD LOWER



## GRINDING HEAD LOWER

HTC 800RXP, 967838803, 2019-09

Ref	Part No	Description	Remark	QTY KIT
1	595 63 71-01	WHEEL	BELT TENSIONER COMPLETE ECC.	2
2	593 49 81-01	CIRCLIP	CIRCLIP SGA 35	4
3	593 38 51-01	BALL BEARING	BALL BEARING 6207- 2RS1/C3	8
4	593 41 07-01	WHEEL	BELT TENSIONER PULLEY	4
5	598730901	TBD	SHAFT PRESS WHEEL ECC.	2
6	593 42 44-01	HUB ASSY	HUB COMPLETE (NOT DRIVING)	2
7	593 41 25-01	PULLEY	CENTER BELT PULLEY COMPLETE	1
8	593 40 94-01	PULLEY	CENTER BELT PULLEY	1
9	593 50 29-01	CIRCLIP	CIRCLIP SGA 65	1
10	593 41 13-01	BALL BEARING	BALLBEARING 6013- 2RS1/C3	2
11	593 40 93-01	SPACER	SPACER CENTER BELT PULLEY	1
12	593 40 92-01	SHAFT	SHAFT CENTER BELT PULLEY	1
13	593 50 30-01	CIRCLIP	CIRCLIP SGH 100	1
14	593 41 24-01	HUB ASSY	HUB COMPLETE (DRIVING)	2
15	593 41 26-01	WHEEL	BELT TENSIONER COMPLETE	2
16	593 41 06-01	SHAFT	SHAFT STRAPCLASP LOWER	2
17	593 40 99-01	SHAFT	SHAFT SUPPORT	3
18	593 49 96-01	SCREW	SCREW M8X25	14
19	593 49 85-01	WASHER	WASHER TBRSB M10 ZP	8
20	593 49 97-01	SCREW	SCREW M10X30	8
21	593 50 28-01	SCREW	SCREW M8X20	29
22	593 50 57-01	SCREW	SCREW M16X20	4
23	593 49 75-01	WASHER	WASHER M16	8
24	593 31 91-05	TOOL	TOOL HOLDER EZ 270:6	4
25	593 43 90-01	HOLDER	GRIND HOLDER CARDAN 270	4
26	593 49 89-01	PIN	CP 6H8X20	24
27	595 81 03-01	LID	LOWER METAL PLATE	1



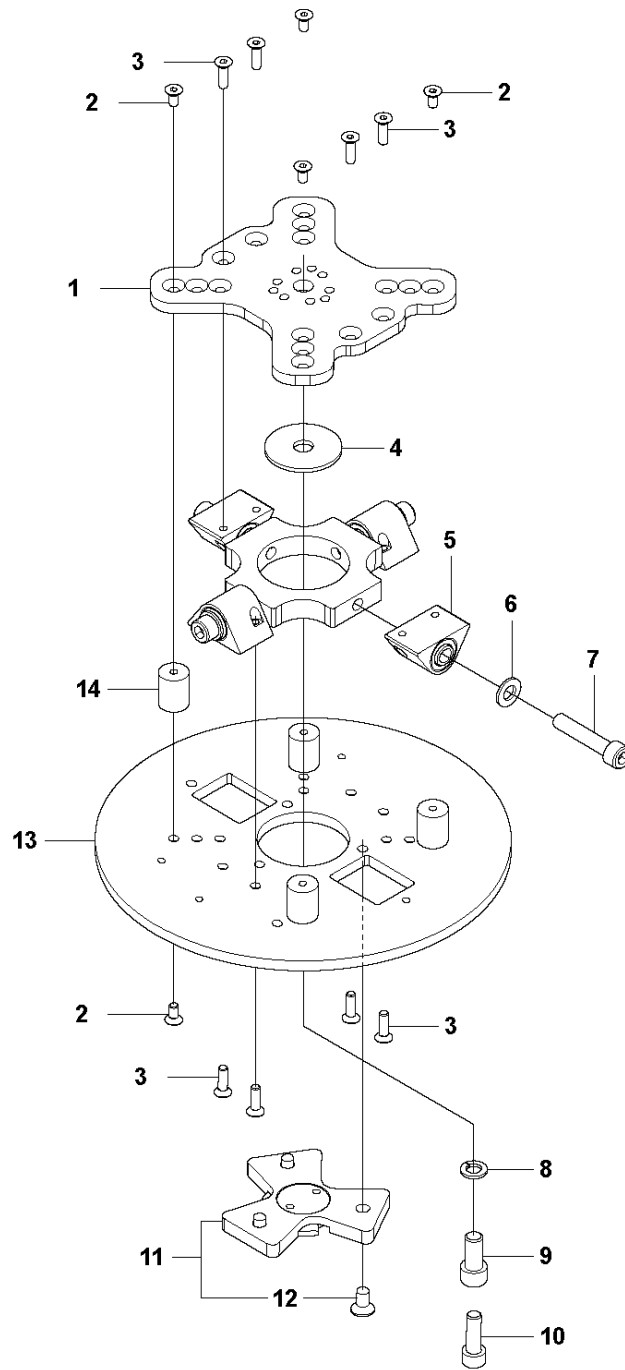


## HANDLE

HTC 800RXP, 967838803, 2019-09

Ref	Part No	Description	Remark	QTY KIT
1	593 51 62-01	KNOB	KNOB	2
2	593 49 96-01	SCREW	SCREW 8X25	4
3	593 51 64-01	COVER	HANDLE COVER UPPER	1
4	593 50 07-01	SCREW	SCREW M6X16	6
5	593 49 60-01	WASHER	WASHER M6	14
6	593 49 73-01	SCREW	SCREW M6X12	8
7	593 51 65-01	HANDLE	HANDLE WITH LOCK DEVICE	1
8	593 51 63-01	COVER	HANDLE COVER LOWER	1
9	593 41 36-01	HANDLE	FASTENING PIPE HANDLE	2
10	593 50 39-01	SCREW	SPACER SCREW M6X20	4
11	593 49 96-01	SCREW	SCREW M8X24	12
12	593 61 67-01	TRANSMISSION	RADIO SYSTEM RX COMPL.	1

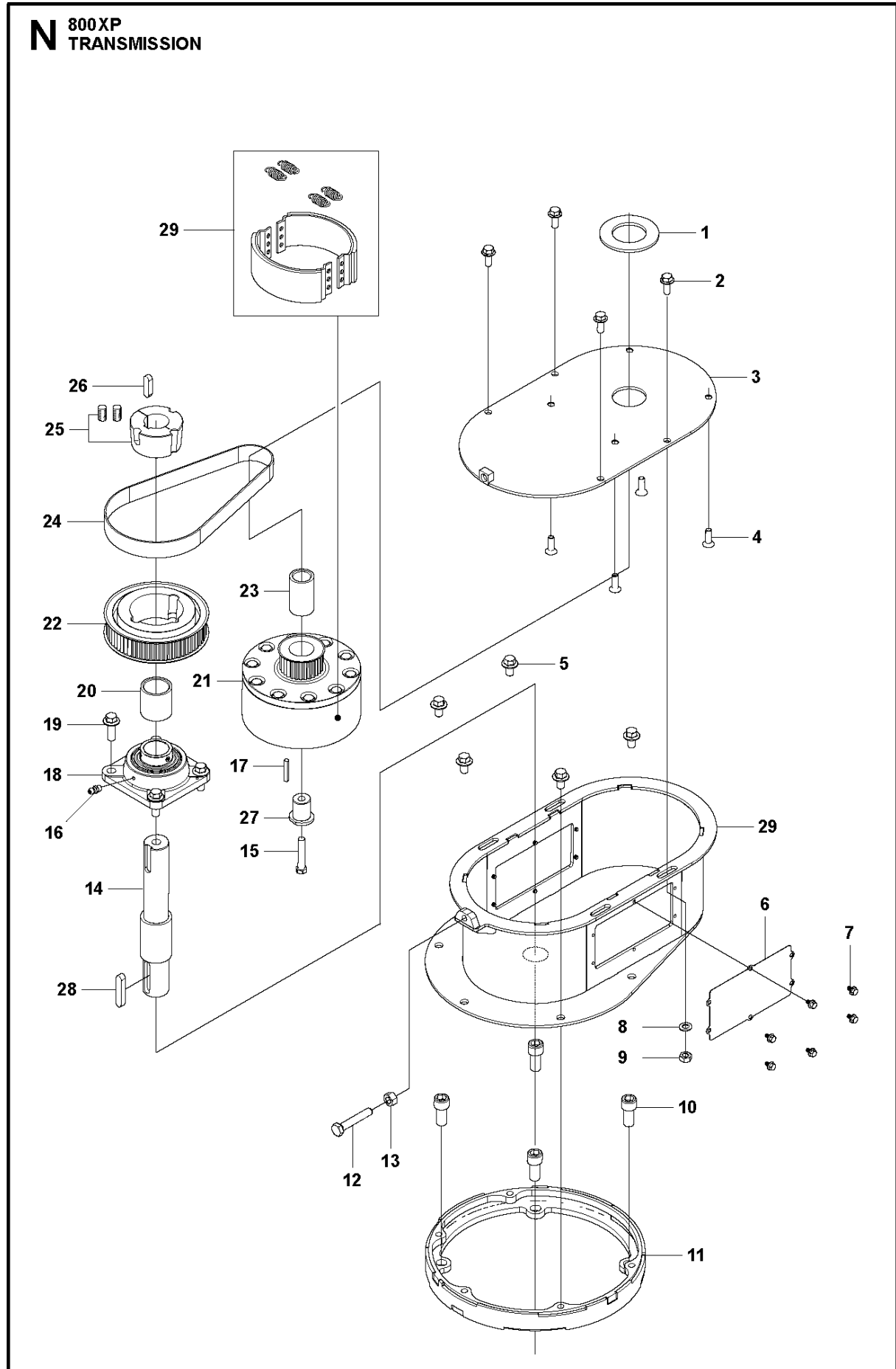
**M** 800 XP  
GRINDING HOLDER



## GRINDING HOLDER

HTC 800RXP, 967838803, 2019-09

Ref	Part No	Description	Remark	QTY KIT
1	593 43 82-01	PLATE	UPPER GRIND HOLDER PLATE	1
2	593 50 85-01	SCREW	SCREW M6X12	8
3	593 50 51-01	SCREW	SCREW M6X20	8
4	593 43 86-01	HOLDER	WASHER	1
5	593 71 81-01	KIT	EAR WIDE COMPLETE	4
6	593 49 91-01	WASHER	WASHER M10	4
7	593 49 66-01	SCREW	SCREW M10X60	4
8	593 50 99-01	LOCKWASHER	WASHER A 10 DIN 127	1
9	593 50 36-01	SCREW	SCREW M12X25	1
10	593 50 41-01	SCREW	SCREW M10X25	1
11	593 61 59-01	CROSS MEMBER	CROSS COMPLETE	1
12	593 49 99-01	SCREW	SCREW M8X16	3
13	593 43 85-01	PLATE	GRIND HOLDER PLATE	1
14	595 74 84-01	ABSORBER	SHOCK ABSORBER 20X25 M6	4

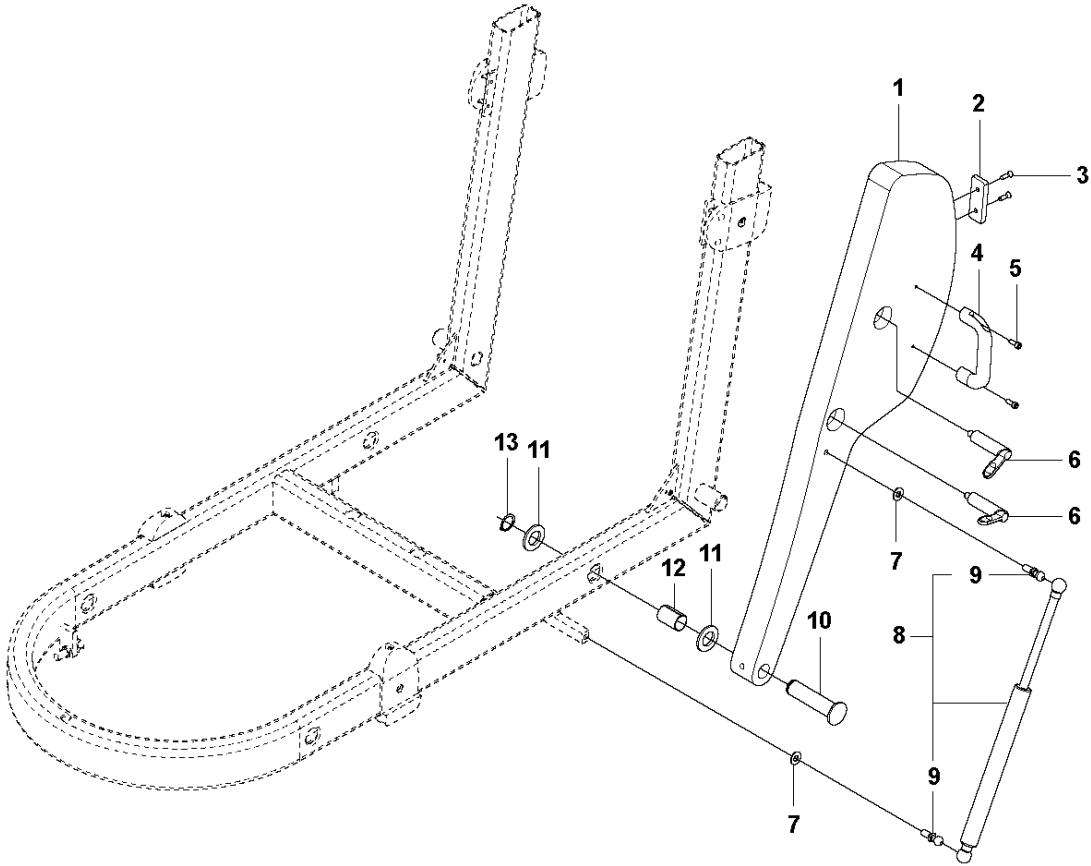


## TRANSMISSION

HTC 800RXP, 967838803, 2019-09

Ref	Part No	Description	Remark	QTY KIT
1	596 81 88-01	SEALING	Bricka	1
2	593 51 38-01	SCREW		4
3	596 81 68-01	PLATE		1
4	597 92 20-04	SCREW		4
5	595 68 13-01	SCREW		5
6	596 81 75-02	COVER		2
7	595 68 34-01	SCREW		12
8	593 49 91-01	WASHER		4
9	593 49 58-01	LOCK NUT		4
10	597 92 20-01	SCREW		4
11	596 81 69-02	SPACER RING		1
12	597 92 20-02	SCREW		1
13	593 50 45-01	NUT		
14	596 81 72-01	DRIVE SHAFT		1
15	597 08 02-01	PARALLEL KEY		
16	542 16 42-96	GREASE		1
17	597 08 01-01	PARALLEL KEY		1
18	596 81 79-01	BALL BEARING		1
19	595 68 01-01	SCREW		4
20	596 81 77-01	SLEEVE		1
21	597 68 51-01	CENTRIFUGAL CLUTCH		1
22	596 81 83-01	PULLEY		1
23	597 68 49-01	SPACER		1
24	596 81 85-01	BELT		1
25	596 81 87-01	BUSHING		1
26	593 49 87-01	PARALLEL KEY	Krysskil	1
27	597 68 50-01	STOP SLEEVE	GEAR BOX HOUSING WELD	1
28	597 08 02-01	PARALLEL KEY		
29	598 75 25-01	CLUTCH	Reservdels-kit koppling	1

**800XP**  
**WEIGHT KITS**



## WEIGHT KITS

HTC 800RXP, 967838803, 2019-09

Ref	Part No	Description	Remark	QTY KIT
1	593 42 19-01	WEIGHT	WEIGHT 33 KG	2
2	593 42 20-01	WEIGHT	SLIDING STRIP, WEIGHT	2
3	593 50 07-01	SCREW	SCREW M6X16	4
4	593 41 86-01	HANDLE	HANDLE	2
5	593 49 67-01	SCREW	SCREW M6X20	4
6	593 43 10-01	PISTON	LEVER INDEXING PLUNGER	4
7	593 49 57-01	WASHER	WASHER M10	4
8	593 42 17-01	GAS SPRING	GAS SPRING COMPLETE	2
9	593 47 37-01	BALL JOINT	BALL JOINT M10	4
10	593 41 35-01	SHAFT	SHAFT FOR WEIGHT	2
11	593 50 44-01	WASHER	WASHER M24	4
12	593 41 72-01	BUSHING	BUSHING BF25X40	4
13	593 49 68-01	CIRCLIP	CIRCLIP SGA 25	2