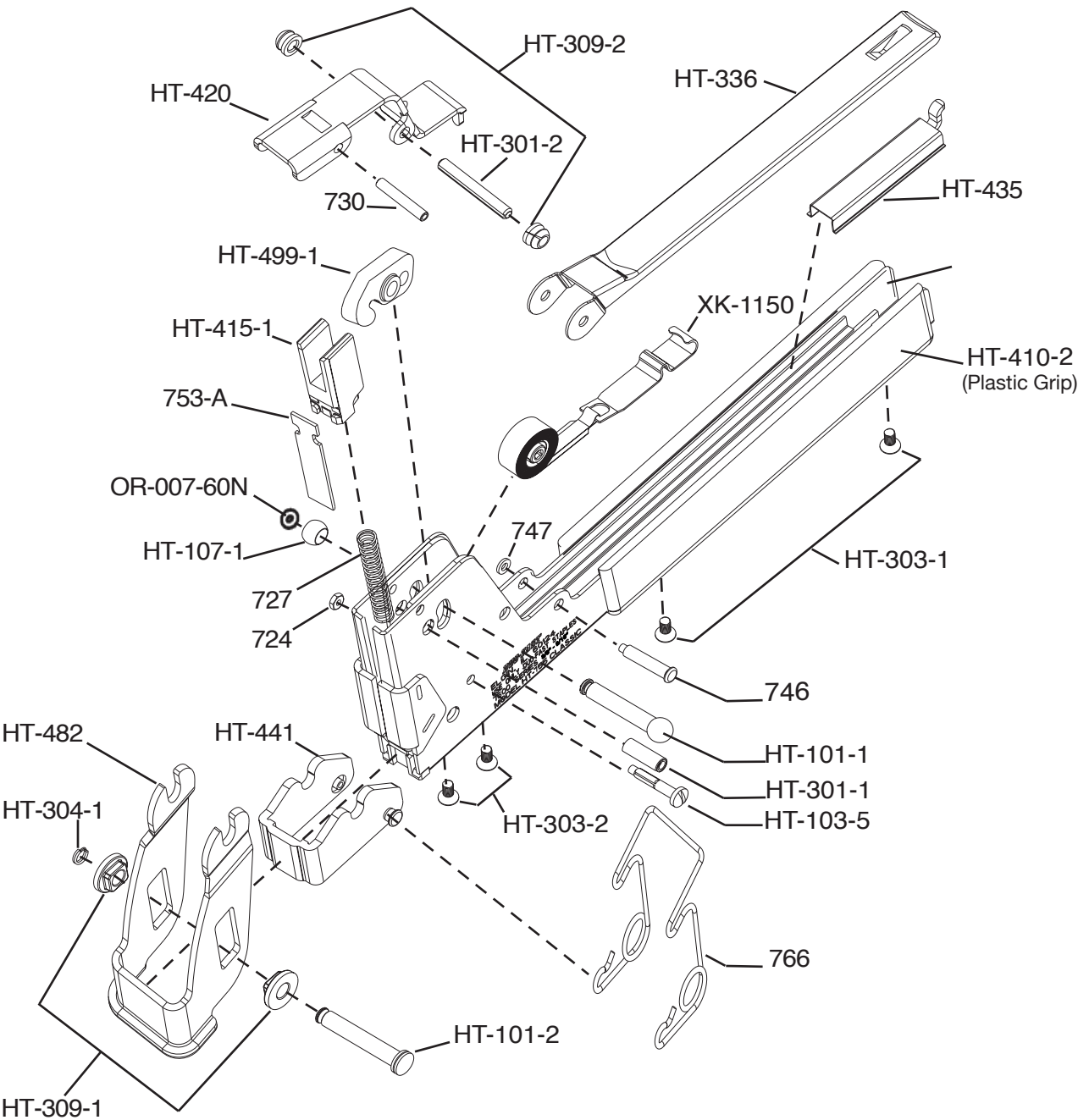


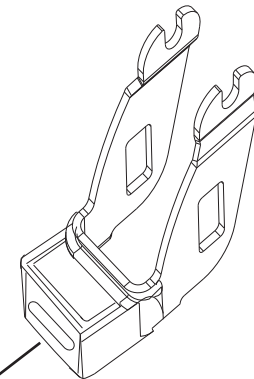
**DUO-FAST**  
**Hammer Stapler**  
**HT-755 CLASSIC HT-755M CLASSIC**  
 1013291 1013412

**ITW INDUSTRIAL FASTENING**  
 2400 GALVIN DRIVE  
 ELGIN, ILLINOIS 60124  
 U.S.A.

11/08 © 2008 **ITW INDUSTRIAL FASTENING** HT-186-755(M) CLASSIC



TORQUE IN - LBS  
 ±5 IN - LBS



XO-1198  
 (Magnetic Trip Lever  
 Assembly for HT-755M Classic)

Always Wear  
 Safety Glasses

When Using  
 Power Tools  
 402510 CLEAR

▲ DENOTES CHANGE

TOOLS MUST BE REPAIRED ONLY  
 WITH FACTORY AUTHORIZED PARTS  
 SIEMPRE REPARE LAS HERRAMIENTAS  
 SOLAMENTE CON PARTES DE REPUESTO  
 AUTORIZADAS POR DUO-FAST

**HT-755 CLASSIC**  
**HT-755M CLASSIC**

<u>UNIQUE #</u>	<u>PART NO.</u>	<u>DESCRIPTION</u>	<u>REPLACES</u>
0380279	HT-303-2	SCREW (2)	
1014182	HT-435	FEEDER BAR COMPLETE	
0380501	724	FEEDER SPRING STUD NUT	
0380527	727	PLUNGER SPRING	
380584	730	ROLL PIN	
1015433	HT-499-1	PLUNGER CAM	
1013643	HT-303-1	GRIP SCREW (2)	
0380758	746	HANDLE LID STUD	
0380766	747	HANDLE LID WASHER	
0380873	HT-309-1	TRIP LEVER BUSHING COMPLETE (2)	
0380907	766	JAW RELEASE SPRING	
0380949	HT-309-2	HAMMER CAP STUD KNOB (2)	
1014000	HT-301-1	PLUNGER CAM ROLL PIN	
0380790	753-A	DRIVER BLADE	
0380931	HT-301-2	HAMMER CAP STUD ROLL PIN	
0165662	HT-101-1	TRIP LEVER PIN	
1011949	HT-101-2	FRONT JAW PIN	
1013313	HT-103-5	FEEDER SPRING STUD	
0173807	HT-107-1	TRIP LEVER PIN KNOB	
1011947	HT-482	TRIP LEVER ASSEMBLY (HT-577 CLASSIC)	
1015432	HT-415-1	PLUNGER BODY	
1013641	HT-304-1	SPLIT RING	
1013203	HT-336	HANDLE LID	
1013651	HT-410-2	HANDLE GRIP	
1013207	HT-420	HAMMER CAP	
1013209	HT-441	FRONT JAW	
0393801	OR-007-60N	O-RING	
402510	402510	SAFETY GLASSES, CLEAR	
0536664	XK-1150	FEEDER SPRING COMPLETE	
		*UNIQUE FOR HT-755M CLASSIC	
*1013134	XO-1198	MAGNETIC TRIP LEVER ASSY	