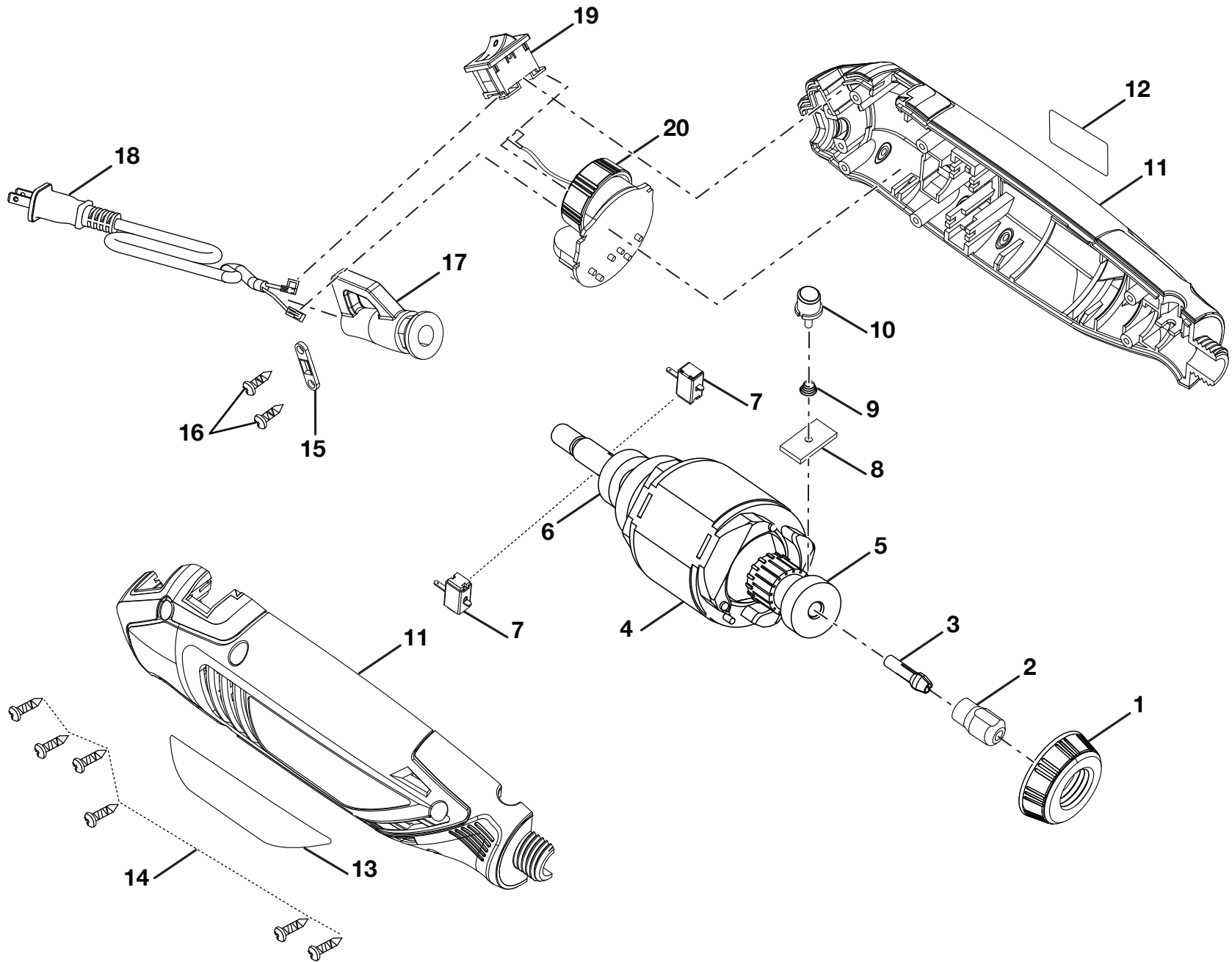


RYOBI ROTARY TOOL – MODEL NUMBER HT232



RYOBI ROTARY TOOL – MODEL NUMBER HT232

The model number will be found on a label attached to the motor housing. Always mention the model number in all correspondence regarding your **ROTARY TOOL** or when ordering parts.

PARTS LIST

KEY NO.	PART NUMBER	DESCRIPTION	QTY	KEY NO.	PART NUMBER	DESCRIPTION	QTY
1	039778001001	Front Cap.....	1	15	039778001012	Cord Clamp.....	1
2	039778001002	Collet Nut.....	1	16	039778001013	Screw (M3 x 8 mm, Pan Hd.).....	2
3	039778001003	1/8 in. Collet.....	2	17	039778001014	Bend Relief	1
	039778001019	1/16 in. Collet.....	1	18	039778001015	Power Cord.....	1
4	039778001018	Motor Assembly (Inc. Key Nos. 5-6).....	1	19	039778001016	Switch	1
5	039778001031	Ball Bearing (698z).....	1	20	039778001017	Circuit Board.....	1
6	039778001033	Ball Bearing (626z).....	1				
7	039778001005	Brush Assembly.....	2		Not Shown:		
8	039778001006	Baffle.....	1		039778001026	Tool Bag.....	1
9	039778001007	Spring	1		039778001022	Accessory Kit	
10	039778001008	Lock.....	1		039778001020	Wrench	
11	039778001009	Housing Assembly	1		988000142	Operator's Manual (HT232, 03978001027)	
12	039778001023	Logo Label	1		988000145	Operator's Manual (HTS232VSK)	
13	039778001024	Data Label.....	1		6-10-10		
14	039778001010	Screw (M3 x 16 mm, Pan Hd.).....	6		(REV:01)		