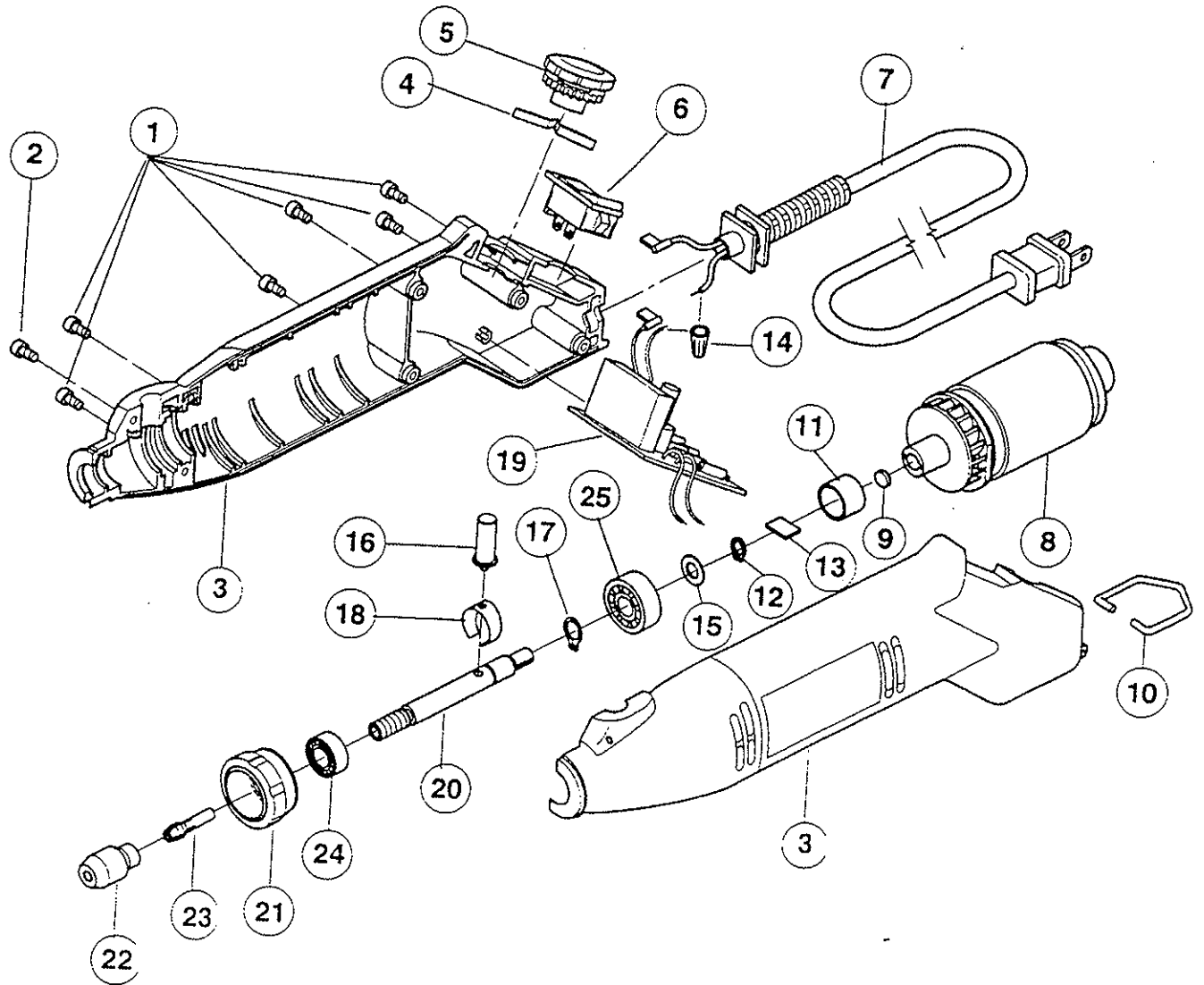


# MULTI-TOOL HT20VSK



# PARTS LIST FOR AFTER SALES SERVICE

MODEL HT20VSK

REF	PART NO.	DESCRIPTION	QTY	REF	PART NO.	DESCRIPTION	QTY
1	51215R	SCREW	7	33			
	51193R	SCREW	1	34			
3	1A51162R	HOUSING ASSEMBLY	1	35			
4	51168R	PLATE SPRING	1	36			
5	51152R	SPEED DIAL	1	37			
6	51150R	SWITCH	1	38			
7	51148R	CORD ASSEMBLY	1	39			
8	2A51140R	MOTOR	1	40			
9	51192R	SPACER	1	41			
10	51167R	HANGER	1	42			
11	51147R	COLLAR	1	43			
12	51155R	C-RING (M-6)	1	44			
13	51146R	PLATE	1	45			
14	623173007	WIRE NUT	1	46			
15	51156R	WASHER	1	47			
16	51165R	LOCK PIN	1	48			
17	51157R	C-RING (M-8)	1	49			
18	51166R	SPRING LOCK PIN	1	50			
19	51151R	PC BOARD	1	51			
20	51153R	SHAFT	1	52			
21	51170R	FRONT CAP	1	53			
22	51160R	COLLET NUT	1	54			
23	51159R	COLLET	1	55			
	51158R	BEARING (688)	1	56			
	622274001	BEARING (608)	1	57			
26	51177R	CARRYING CASE (NOT SHOWN)	1	58			
27				59			
28				60			
29				61			
30				62			
31	4700018	3/32 Collet		63			
32				64			
33				65			
34	51176R	Wrench					

SERVICE CENTER NOTES: