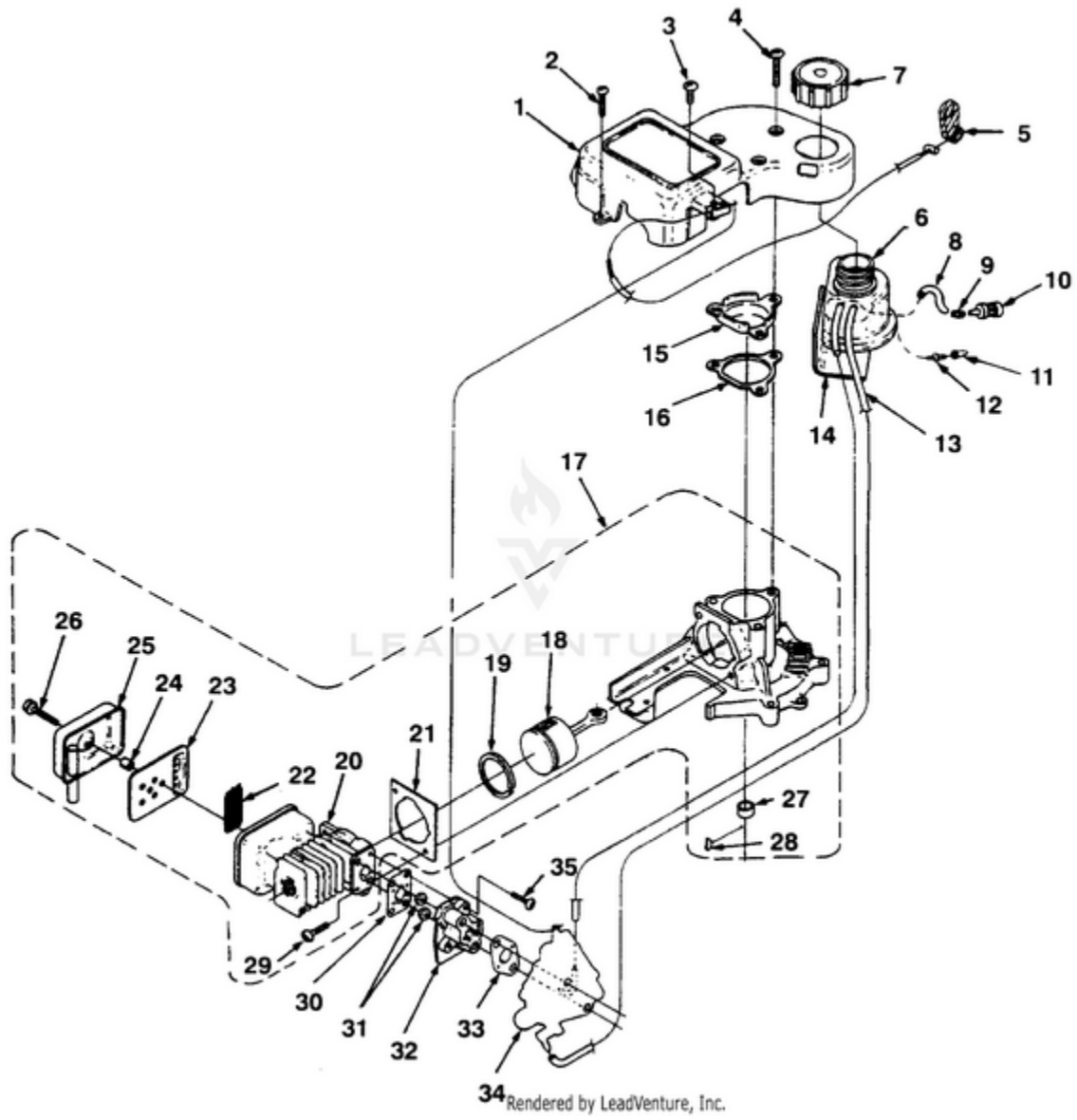


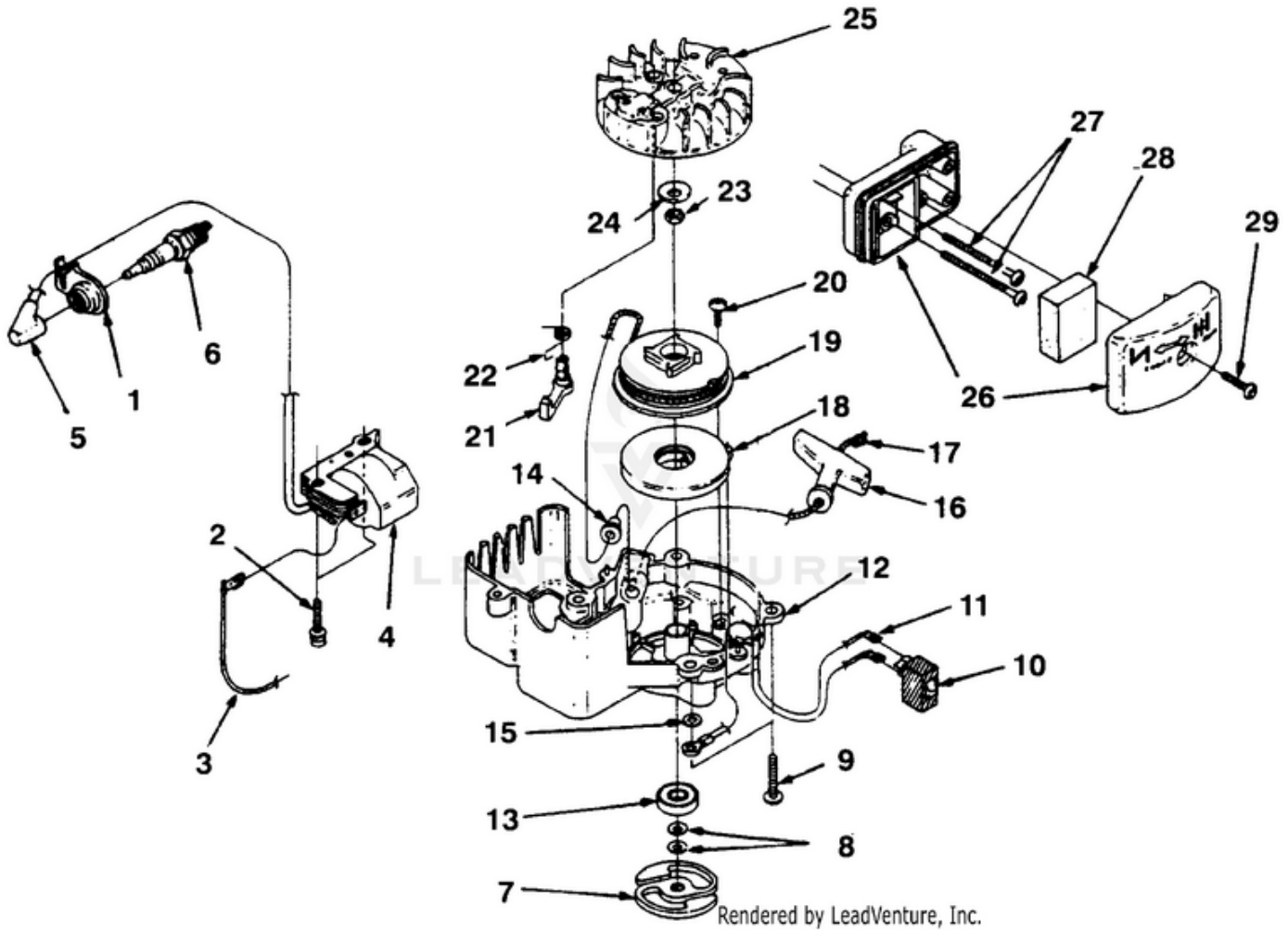
HT17 Hedge Trimmer UT-18007-C - Figure A



| Ref # | Part # | Description | Qty | Context Note |
|-------|---------|--------------------------------------|---------|--|
| 1 | A02571B | COVER-Engine | 1 | |
| 2 | 82536 | SCREW-Thread Form. (#8 X 3/4") | 2 | |
| 3 | 82541 | SCREW-Thread Form. (#10 X 1/2") | 1 | |
| 4 | 82538 | SCREW-Thread Form. (10-24 X 3/4") | 3 | |
| 5 | 00959 | LEVER-Trigger | 1 | |
| 6 | A04270A | FUEL TANK ASSEMBLY | 1 | |
| 7 | A00982B | CAP-Fuel | 1 | |
| 8 | 9477222 | TUBING-Rubber (5 1/2") | 1 | |
| 9 | 98268 | CLAMP-Wire | 1 | |
| 10 | 49422 | FILTER-Fuel | 1 | |
| 11 | 98819 | VALVE- Filter | 1 | |
| 12 | 01327 | FITTING | A/ R | |
| 13 | 9477224 | TUBING-Rubber (6 1/4") | 1 | |
| 14 | 00927A | SPACER-Fuel Tank | 1 | |
| 15 | 01836A | COVER-Crankcase | 1 | |
| 16 | 00946 | GASKET-Crankcase | 1 | |
| 17 | A02069B | SHORT BLOCK | 1 | When ordering a short block for UT18007 you must order items #4, 15 & 16. |
| 18 | A01014D | PISTON & ROD | 1 | |
| 19 | 00915 | RING-Piston | 1 | |
| 20 | A01523B | CYLINDER & MUFFLER ASSEMBLY | 1 | |
| 21 | 02059 | GASKET-Cylinder | 1 | |
| 22 | 00921 | SCREEN-Spark Arrestor | 1 | |
| 23 | 00920 | BAFFLE-Muffler | 1 | |
| 24 | 00931 | SPACER-Muffler | 1 | |
| 25 | A01838 | COVER-Muffler | 1 | |
| 26 | 82540 | SCREW-Thread Form. (8-32 X 1") | 3 | |
| 27 | 01971 | SPACER | 1 | |
| 28 | 69250 | KEY-Woodruff | 1 | |
| 29 | 82568 | SCREW-Machine (10-24 X 3/4") | 2 | |
| 30 | 00932A | GASKET-Heat Dam | 1 | |

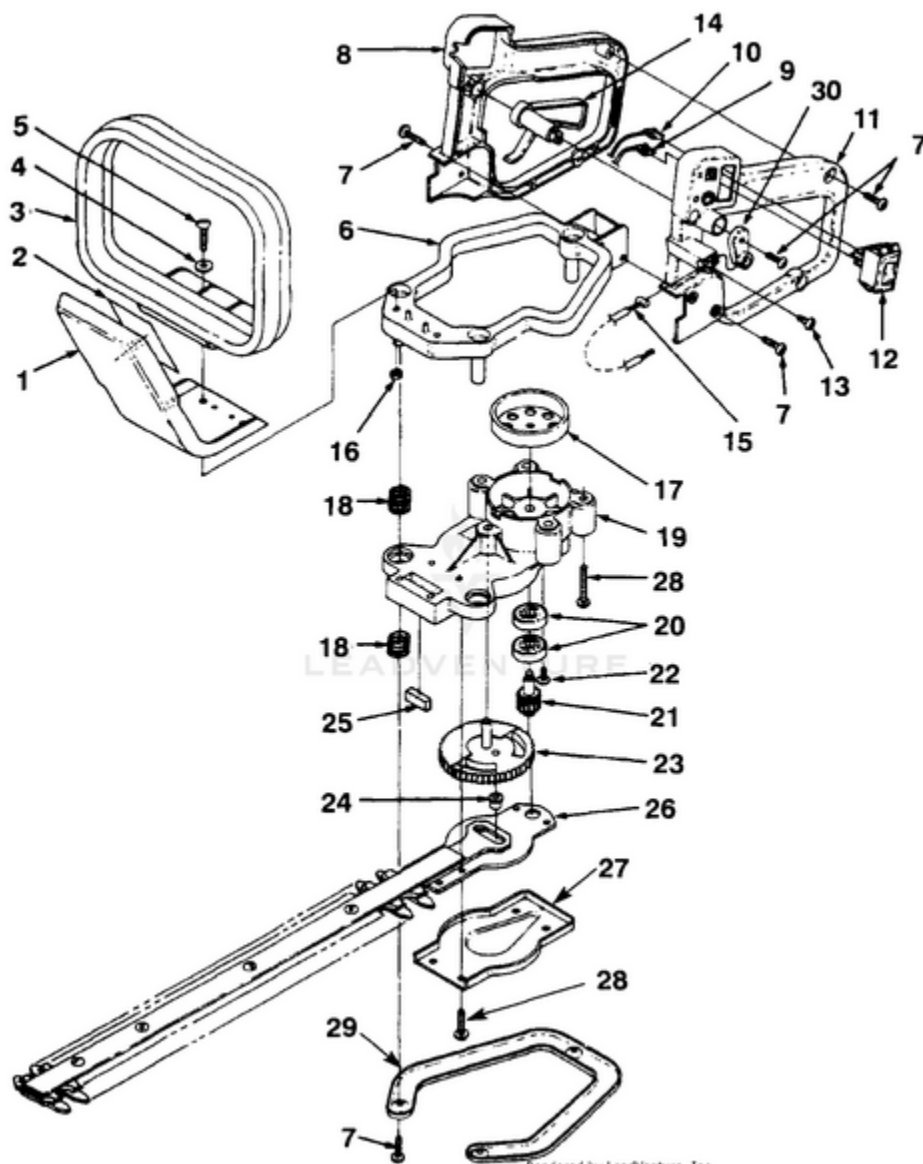
| Ref # | Part # | Description | Qty | Context Note |
|--------------|---------------|------------------------------------|------------|--|
| 31 | 81208 | NUT-Hex (10-24) | 2 | |
| 32 | 00917B | HEAT DAM | 1 | |
| 33 | 98766A | GASKET-Carburetor | 1 | |
| 34 | A00962A | CARBURETOR (Walbro) | 1 | Your original carburetor may be identified as Walbro or Zama. Either replacement type will work with your Hedge Trimmer. |
| | A00933A | CARBURETOR (Zama) | 1 | |
| 35 | 825491 | SCREW-Thread Form. (10-24 X 1") | 2 | |

HT17 Hedge Trimmer UT-18007-C - Figure B



| Ref # | Part # | Description | Qty | Context | Note |
|-------|---------|---|-----|---------|------|
| 1 | 01010A | SHIELD-Spark Plug | 1 | | |
| 2 | 82540 | SCREW-Thread Form. (8-32 X 1") | 2 | | |
| 3 | A00942 | LEAD-Electrical | 1 | | |
| | A04446 | IGNITION KIT | 1 | | |
| 4 | 94711CS | MODULE-Ignition | 1 | | |
| 5 | A02597 | SPARK PLUG BOOT KIT | 1 | | |
| 6 | 96169S | SPARK PLUG (DJ-7Y) | 1 | | |
| | 79252 | SPARK PLUG (RDJ-7Y) (HT17I, HT19I, HT21I) | 1 | | |
| 7 | 035881 | CLUTCH "S" | 1 | | |
| 8 | 70788 | WASHER-Belleville | 2 | | |
| 9 | 82538 | SCREW-Taptite (10-24 X 3/4") | 4 | | |
| 10 | 00941 | SWITCH | 1 | | |
| 10 | 02497 | SWITCH (HT-17I, HT-19I, HT-21I) | 1 | | |
| 11 | A00943 | LEAD-Ground | 1 | | |
| 12 | A01308B | HOUSING-Engine & Pulley | 1 | | |
| 13 | 98843 | BEARING-Ball | 1 | | |
| 14 | 969811A | BUSHING-Starter | 1 | | |
| 15 | 84003 | WASHER-Flat (#10) | 1 | | |
| 16 | 02264 | GRIP-Starter Rope | 1 | | |
| 17 | 9789902 | ROPE-Starter (42") | 1 | | |
| 18 | A97908 | SPRING & CONTAINER | 1 | | |
| 19 | 00924 | PULLEY-Starter | 1 | | |
| 20 | 82541 | SCREW-Thread Form. (#10 X 1/2") | 2 | | |
| 21 | 00928 | PAWL-Starter | 1 | | |
| 22 | 00929 | SPRING-Torsion | 1 | | |
| 23 | 81191 | NUT-Hex (7/16-20) | 1 | | |
| 24 | 01325 | WASHER-Conical | 1 | | |
| 25 | 00923 | ROTOR | 1 | | |
| 26 | A00335A | AIR FILTER HOUSING | 1 | | |
| 27 | 82542 | SCREW-Machine (10-24 X 2 1/4") | 2 | | |
| 28 | 00934 | FILTER-Air | 1 | | |
| 29 | 82368 | SCREW-Thread Form. (#8 X .750) | 1 | | |

HT17 Hedge Trimmer UT-18007-C - Figure C



| Ref # | Part # | Description | Qty | Context | Note |
|-------|---------|--|-----|---------|------|
| 1 | 00937 | GUARD-Hand (HX16, HT17, HT19) | 1 | | |
| | 01972 | GUARD-Hand (HT21, HT17I, HT19I, HT21I, HT22) | 1 | | |
| 2 | 01317A | DECAL-Caution | 1 | | |
| 2 | 02916A | DECAL -Warning (HT17I, HT19I, HT21I) | 1 | | |
| 3 | 00936A | HANDLE-Front | 1 | | |
| 4 | 95249 | WASHER-Flat (10-24) | 2 | | |
| 5 | 82538 | SCREW-Thread Form. (10-24 X 3/4") | 2 | | |
| 6 | 01007 | BASE-Vibration Isolator | 1 | | |
| 7 | 82536 | SCREW-Thread Form. (#8 X 3/4") | 7 | | |
| 8 | 00938 | HANDLE-Rear (Right) | 1 | | |
| 9 | A00942 | LEAD-Electrical | 1 | | |
| 10 | A00943 | LEAD-Ground | 1 | | |
| 11 | 00939 | HANDLE-Rear (Left) | 1 | | |
| 12 | 00941 | SWITCH | 1 | | |
| | 02497 | SWITCH (HT17I, HT19I, HT21I) | 1 | | |
| 13 | 82541 | SCREW-Thread Form. (#10 X 1/2") | 1 | | |
| 14 | 00958A | TRIGGER | 1 | | |
| 15 | 01973 | CABLE-Throttle | 1 | | |
| 16 | 81208 | NUT-Hex (10-24) | 2 | | |
| 17 | 00949B | DRUM-Clutch | 1 | | |
| 18 | 01009 | SPRING-Compression | 6 | | |
| 19 | A01526 | GEAR BOX ASSEMBLY | 1 | | |
| 20 | 98843 | BEARING-Ball | 2 | | |
| 21 | A01313 | PINION & SCREW ASSEMBLY | 1 | | |
| 22 | 82541 | SCREW-Thread Form. (#10 X 1/2") | 1 | | |
| 23 | A01312 | GEAR & PIN ASSEMBLY | 1 | | |
| 24 | 00955 | BUSHING | 1 | | |
| 25 | 00935 | BLADE-Seal | 1 | | |
| 26 | A00956A | BLADE ASSY. (HX16, HT17, HT17I) | 1 | | |
| | 02741 | BLADE ASSY. (HT19, HT19I) | 1 | | |
| | A01841A | BLADE ASSY. (HT21, HT21I) | 1 | | |
| | 04898 | BLADE ASSY. (HT22) | 1 | | |
| 27 | 00954 | COVER-Gear Box | 1 | | |
| 28 | 82537 | SCREW-Thread Form. (#10 X 7/8") | 4 | | |
| 29 | 01013 | BRACE | 1 | | |
| 30 | 00959 | LEVER-Trigger | 1 | | |