

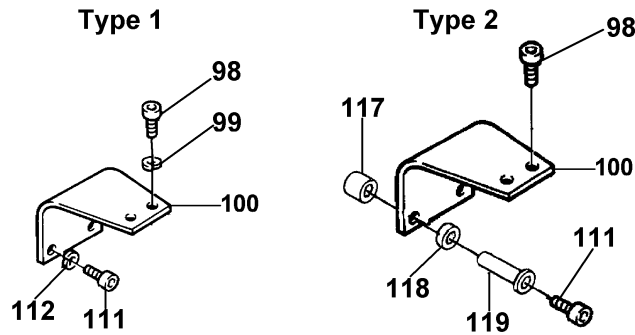
Item No.	Part No.	No. Used	Description	Item No.	Part No.	No. Used	Description
1	212551-3	1	Needle Bearing 4516	36	157306-8	1	Gear Housing (With Items 37 & 62)
2	267057-6	1	Flat Washer 40	37	263005-3	1	Rubber Pin 6
3	311674-5	1	Barrel	38	961011-9	1	Stop Ring E-4
4	213655-4	1	O Ring 56	39	212011-5	1	Needle Bearing 609
5	212551-3	1	Needle Bearing 4516	40	213055-8	1	O Ring 10
6	253832-6	1	Flat Washer 45	41	321727-2	1	Change Shaft
7	221347-1	1	Spiral Bevel Gear 36	42	342786-3	1	Plate
8	321369-2	1	Striker	43	216002-8	1	Steel Ball 4.8
9	412038-7	1	Piston Ring 34	44	231317-2	1	Compression Spring 3
10	412041-8	1	Inner Ring 30	45	410331-3	1	Change Lever
11	412038-7	1	Piston Ring 34	46	941052-1	1	Flat Washer 4
12	341743-8	1	Inner Ring 30	47	922126-7	1	Hex Socket Head Bolt M4X16
13	321370-7	1	Piston	48	942101-7	2	Spring Washer 5
14	256029-6	1	Pin 8	49	922212-4	2	Hex Socket Head Bolt M5X12
15	<b>150368-5</b>	1	Crank Cap	50	152335-6	1	Cylinder Liner Com.
16	213654-6	1	O Ring 60	51	*	1	Impact Bolt
17	312956-8	1	Rod	52	216004-4	3	Steel Ball 7.9
18	212108-0	1	Needle Bearing 1212	53	<b>213428-5</b>	1	X Ring 28
19	321726-4	1	Crank Shaft	54	213411-2	1	O Ring 27
20	254001-2	2	Woodruff Key 4	55	213411-2	1	O Ring 27
21	962203-3	1	Retaining Ring R-47	56	213604-1	1	O Ring 50
22	<b>211324-1</b>	1	Ball Bearing 6204LLU (Old 211309-7 -6204)	57	331301-8	1	Tool Retainer
23	213606-7	1	O Ring 48	58	*	1	Tool Holder
24	157307-6	1	Crank Housing Com. (With Item 23)	59	231375-8	1	Compression Spring 15
25	221689-3	1	Helical Gear 33	60	265321-9	1	Hex Bolt M8X12
26	212102-2	1	Needle Bearing 1210	61	922341-3	4	Hex Socket Head Bolt M6X25 (With Washer)
27	212359-5	1	Needle Bearing 2216	62	213459-4	1	O Ring 32
28	153150-1	1	Gear Com.	63	211109-5	1	Ball Bearing 6201
29	150055-6	1	Torque Limiter Com.	64	213160-1	1	Oil Seal 14
30	253310-6	1	Thin Washer 10	65	241634-2	1	Fan 94
31	231430-6	1	Compression Spring 11	66	514771-8	1	Armature Assy (With Items 65, 67 & 68)
32	253865-1	1	Flat Washer 8	67	<b>681635-2</b>	1	Insulation Washer (Old 681624-7)
33	211034-0	1	Ball Bearing 608	68	<b>211087-9</b>	1	Ball Bearing 6200DDW (Old 211066-7 - 6200LLB)
34	253314-8	1	Thin Washer 15	69	410163-8	1	Baffle Plate
35	<b>421689-5</b>	1	Seal Ring (Old 213853-0 - O Ring 100)				

Item No.	Part No.	No. Used	Description	Item No.	Part No.	No. Used	Description
70	265347-1	2	(+) Hex Bolt M5X45 (With Washer & Bond)	<b>Accessories</b>			
71	654020-2	2	Garner Spring	A01	<b>155827-4</b>	1	Steel Carrying Case (Old 823138-2)
72	524631-6	1	Field Assy (With Items 71 & 75)		<b>150589-9</b>	1	Plastic Carrying Case (With Item A25)
73	213406-5	1	O Ring 30	A02	765009-6	1	Blow-Out Bulb
74	953106-2	4	Rivet 0-5	A03	321248-4	1	Depth Gauge
75	654502-4	2	Solderless Connector P-2	A04	783202-0	1	Hex Wrench 4
76	<b>159034-1</b>	1	Motor Housing Com. (With Items 73, 115 & 116)	A05	783203-8	1	Hex Wrench 5
77	643650-4	2	Brush Holder Cap 6.5-13.5	A06	273472-4	1	Grip 32
78	181048-2	2	Auto Cut-Off Carbon Brush CB-155	A07	-----	1	C.T. Hammer Bit Spline Shank (See Catalogue for Details)
79	284055-5	1	Rear Cover	A08	752026-5B	1	Center Bit 8 (See Catalogue for other Center Bit sizes)
80	942101-7	2	Spring Washer 5	A09	-----	1	Core Bit (See Catalogue for Details)
81	922222-1	2	Hex Socket Head Bolt M5X16	A10	798138-0	1	Core Bit Adapter 25.4-320 Spline Shank (With Items A08 & A11) (See Catalogue for other Core Bit Shank sizes)
82	922376-4	4	Hex Socket Head Bolt M6X55	A11	256815-5	1	Rod 15
83	941151-9	4	Flat Washer 6	A12	798146-1	1	Bull Point 19-300 Spline Shank
84	931302-2	1	Hex Nut M6		798147-9	1	Bull Point 19-450 Spline Shank
85	942151-2	1	Spring Washer 6	A13	798139-8	1	Cold Chisel 26-300 Spline Shank
86	941151-9	1	Flat Washer 6		798140-3	1	Cold Chisel 26-450 Spline Shank
87	911243-8	2	P.H. Screw M5X25 (With Washer)	A14	798141-1	1	Scaling Chisel 50-300 Spline Shank
89	<b>182077-8</b>	1	Handle Set (With Items 107 & 108) (Old 152330-6)	A15	798142-9	1	Grooving Chisel 22-300 Spline Shank
90	911129-6	1	P.H. Screw M4X16 (With Washer)		798143-7	1	Grooving Chisel 26-300 Spline Shank
91	421265-5	1	Dust Cover	A16	798148-7	1	Clay Spade 105-400 Spline Shank
93	924321-5	1	Wing Bolt M6X18	A17	782407-9	1	Lock Nut Wrench 35
94	261049-7	1	Rubber Washer 5.5	A18	<b>A-90582</b>	1	Hammer Grease 30cc (Old 181490-7)
95	261049-7	1	Rubber Washer 5.5	A19	181573-3	1	Bit Grease 100g
96	164543-7	1	Grip Base	A20	798132-2	1	Ground Rod Adaptor 20-170 Spline Shank
97	164572-0	1	Grip Holder	A21	798144-5	1	Bushing Tool 67 Spline Shank
98	*	2	Hex Socket Head Bolt	A22	798149-5	1	Rammer 140 Spline Shank
99	942151-2	2	Spring Washer 6* (Type 1)	A23	<b>798135-6</b>	1	Spline to A-Taper Adaptor
100	*	2	Cushion Plate	A24	<b>421342-3</b>	1	Dust Cap 5 (For Bits 7/32" ~ 9/16")
101	<b>182077-8</b>	1	Handle Set (With Items 107 & 108) (Old 152331-4)		<b>421664-1</b>	1	Dust Cap 9 (For Bits 15/32" ~ 5/8" & For Shank 3/8" ~ 11/16")
102	321210-9	1	Handle Shaft	A25	416401-6	2	Latch
103	682503-2	1	Cord Guard 8-90				
104	664013-1	1	Cord With Plug 2P-18-2.5				
105	687002-9	1	Strain Relief				
106	911133-5	2	P.H. Screw M4X18 (With Washer)				
107	263002-9	1	Rubber Pin 4				
108	263002-9	1	Rubber Pin 4				
109	<b>421596-2</b>	1	Cap (Added)				
111	*	2	Hex Socket Head Bolt				
112	942151-2	2	Spring Washer 6 * (Type 1)				
113	<b>651145-3</b>	1	Switch AC/DC (Without Lock Button)				
114	254231-5	1	Key 4				
115	643653-8	2	Brush Holder 6.5-13.5				
116	913206-0	2	Set Screw M5X8				
117	*	2	Rubber Ring 9 (6mm Thick)				
118	*	2	Rubber Ring 9 3mm Thick)				
119	*	2	Sleeve 6				
200	652014-1	4	P.H. Screw M4X8 (With Washer)				
201	652252-5	4	Clamp Washer				
202	654002-4	4	Solderless Terminal 1.25-M4				

\* SEE SERVICE CHANGES

**SERVICE CHANGES**

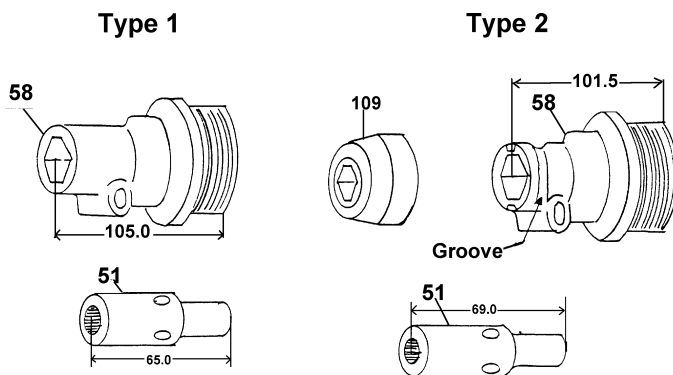
**1. Change on Cushion Plate etc.**



Item No.	Description	Type 1	# Used	Type 2	# Used
98	Hex Socket Head Bolt	922317-0 (M6X14)	2	<b>922316-2 (M6X14)</b>	2
99	Spring Washer 6	942151-2	2	-----	-
100	Cushion Plate	342613-4	2	<b>343754-9</b>	2
111	Hex Socket Head Bolt	922317-0 (M6X14)	2	<b>265914-2</b> (Old 922341-3 - M6X25))	2
112	Spring Washer 6	942151-2	2	-----	-
117	Rubber Ring 9 (6mm thick)	-----	-	<b>262051-3</b>	2
118	Rubber Ring 9 (3mm thick)	-----	-	<b>262052-1</b>	2
119	Sleeve 6	-----	-	<b>257636-8</b>	2
	Serial #	~ 2853E		2854E ~	

Above parts are completely interchangeable as a set.

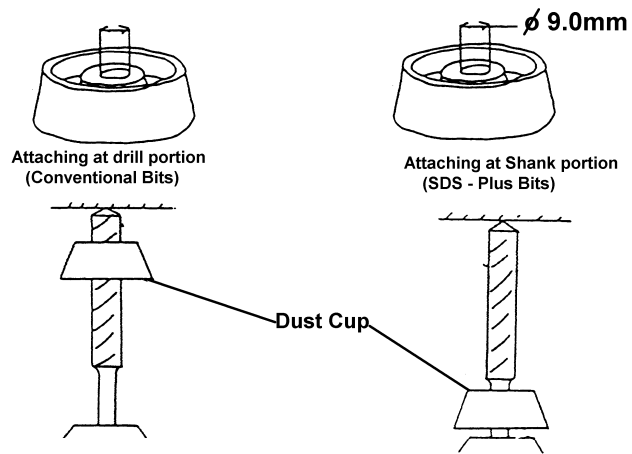
**2. Change on Impact Bolt and Tool Holder to improve endurance. Cap has been added as dust cover.**



Item No.	Description	Type 1	Type 2
51	Impact Bolt	322218-6	<b>323718-9</b>
58	Tool Holder	322221-7	<b>323717-1</b>
126	Cap	-----	<b>421596-2</b>
	Serial #	~ February 1997 Production	March 1997 Production ~

Above parts are completely interchangeable as a set.

**3. Addition of Dust Cup 9.**



Item No.	Description	Part #		
A24	Dust Cup 5	922317-0 (M6X14)	For Bits 7/32" ~ 6/16"	-----
	Dust Cup 9	942151-2	For Bits 15/32" ~ 5/8"	For Shank 3/8" ~ 11/16"