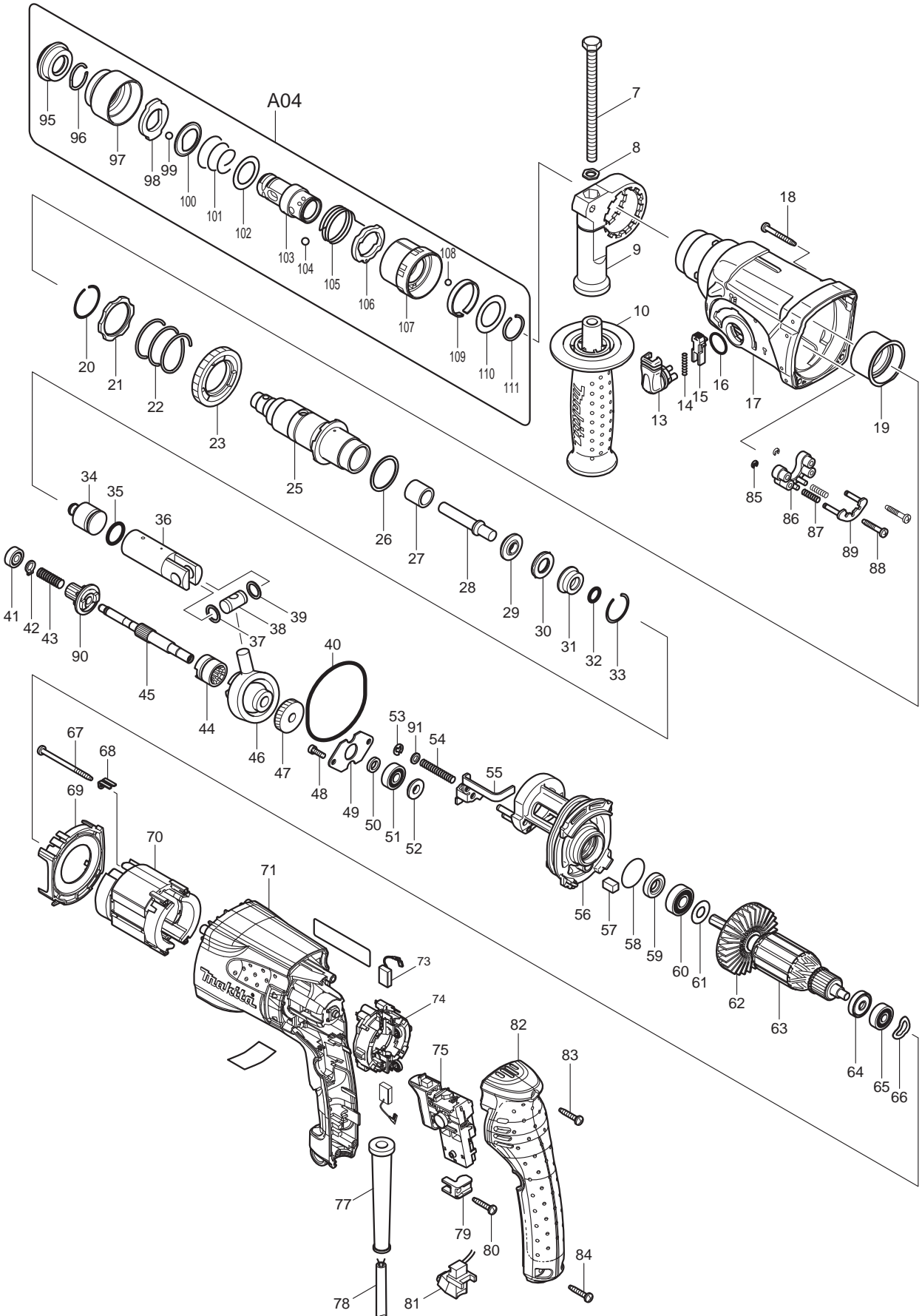




11 - 2010  
HR2470FT  
SDS - PLUS 15/16" ROTARY HAMMER



Item No	Type	Ref	Part No	Description	Qty	Unit
7			921923-8	HEX. BOLT M8X120	1	PC.
8			345280-4	HEX. WASHER	1	PC.
9			417630-4	GRIP BASE	1	PC.
		INC.	931402-8	HEX. NUT M8	1	PC.
10			158057-6	GRIP 36 COMPLETE	1	PC.
13			162245-9	CHANGE LEVER	1	PC.
14			233459-8	COMPRESSION SPRING 3	1	PC.
15			419192-8	LOCK BUTTON	1	PC.
16			213278-8	O RING 17	1	PC.
17			158216-2	GEAR HOUSING COMPLETE	1	PC.
	1	INC.	213965-9	OIL SEAL 25 (TYPE1)	1	PC.
	2	INC.	213345-9	OIL SEAL 25 (TYPE2)	1	PC.
18			266351-3	TAPPING SCREW 4X35	4	PC.
19			153290-5	NEEDLE BEARING COMPLETE	1	PC.
20			233929-7	RING SPRING 29	1	PC.
21	1		267791-8	WASHER 31	1	PC.
	2		267460-1	WASHER 31	1	PC.
22			233401-9	COMPRESSION SPRING 32	1	PC.
23			227109-5	SPUR GEAR 51	1	PC.
25			158307-9	TOOL HOLDER GUIDE COMPLETE	1	PC.
26			267229-3	FLAT WASHER 28	1	PC.
27			331769-8	SLEEVE 9	1	PC.
28			324796-2	IMPACT BOLT	1	PC.
29			324402-9	RING 10	1	PC.
30			421955-0	CUSHION RING 13	1	PC.
31			324216-6	O RING CASE	1	PC.
32			213073-6	O RING 9	1	PC.
33			233917-4	RING SPRING 28	1	PC.
34			324733-6	STRIKER	1	PC.
35			213227-5	O RING 16	1	PC.
36			318132-2	PISTON CYLINDER	1	PC.
37			267104-3	FLAT WASHER 12	1	PC.
38			324215-8	PISTON JOINT	1	PC.
39			267104-3	FLAT WASHER 12	1	PC.
40			213727-5	O-RING 63	1	PC.
41	1		211012-0	BALL BEARING 606ZZ	1	PC.
	2		210028-2	BALL BEARING 606ZZ	1	PC.
42			961003-8	RETAINING RING S-7	1	PC.
43			233343-7	COMPRESSION SPRING 7	1	PC.
44			331992-5	CLUTCH CAM (OLD# 331768-0 - N/L/A)	1	PC.
45			324668-1	CAM SHAFT	1	PC.
46			219014-0	SWASH BEARING 10	1	PC.
47			226656-3	HELICAL GEAR 26	1	PC.
48			266273-7	HEX. SOCKET HEAD BOLT M4X12	2	PC.
49			345179-3	BEARING RETAINER	1	PC.
50			267234-0	FLAT WASHER 8	1	PC.
51	1		211032-4	BALL BEARING 608ZZ	1	PC.
	2		210029-0	BALL BEARING 608ZZ	1	PC.
52			324212-4	RING 8	1	PC.
53			961011-9	STOP RING E-4	1	PC.
54			233342-9	COMPRESSION SPRING 6	1	PC.
55			345363-0	CHANGE PLATE	1	PC.
56	1		158215-4	INNER HOUSING COMPLETE	1	PC.
	2		141574-3	INNER HOUSING COMPLETE	1	PC.

Item No	Type	Ref	Part No	Description	Qty	Unit
57	1		443126-9	FELT (OLD) (F/TYPE 1 INNER HOUSING COM. #158215-4)	1	PC.
58			213407-3	O RING 26	1	PC.
59			213077-8	OIL SEAL 10	1	PC.
60			210059-1	BALL BEARING 6000DDW	1	PC.
61			267213-8	FLAT WASHER 10	1	PC.
62			240092-9	FAN 64	1	PC.
63			515286-8	ARMATURE ASS'Y 115V	1	PC.
		INC.		Item No. 60-62,64,65		
64	1		681652-2	INSULATION WASHER	1	PC.
	2		681670-0	INSULATION WASHER	1	PC.
65			210023-2	BALL BEARING 627DDW	1	PC.
66			267804-5	WAVE WASHER 15	1	PC.
67			266334-3	TAPPING SCREW 4X60	2	PC.
68			344871-8	RETAINER	2	PC.
69			419716-0	BUFFLE PLATE	1	PC.
70			626576-5	FIELD 115V	1	PC.
71			419718-6	MOTOR HOUSING	1	PC.
73	1		194074-2	CARBON BRUSH CB-325 2PC/SET (W/O ORIGIN)	1	SET
	2		195001-2	CARBON BRUSH CB-325 2PC/SET (W/ ORIGIN)	1	SET
74			638500-6	BRUSH HOLDER UNIT	1	PC.
75			650589-4	SWITCH C3VA-2L	1	PC.
77			682559-5	CORD GUARD 8	1	PC.
78			664895-1	CORD W/PLUG 2P-18-4.0M, SJ	1	PC.
79			687260-7	STRAIN RELIEF	1	PC.
80			266324-6	TAPPING SCREW 4X22	1	PC.
81			631745-5	LIGHT CIRCUIT	1	PC.
82			419717-8	HANDLE COVER	1	PC.
83			266324-6	TAPPING SCREW 4X22	1	PC.
84			266324-6	TAPPING SCREW 4X22	2	PC.
85			961017-7	STOP RING E-3	2	PC.
86			417796-0	GUIDE BASE	1	PC.
87			233344-5	COMPRESSION SPRING 4	2	PC.
88			266374-1	TAPPING SCREW 4X25	2	PC.
89			163430-7	LOCK PLATE COMPLETE	1	PC.
90			227179-4	SPUR GEAR 10	1	PC.
91			941102-2	FLAT WASHER 5	1	PC.
95			286263-4	CAP 35	1	PC.
96			233940-9	RING SPRING 19	1	PC.
97			418217-5	CHUCK COVER	1	PC.
98			345333-9	STOPPER	1	PC.
99			216022-2	STEEL BALL 7.0	1	PC.
100			345187-4	GUIDE WASHER	1	PC.
101			233916-6	CONICAL COMP. SPRING 21-29	1	PC.
102			267279-8	FLAT WASHER 21	1	PC.
103			324355-2	TOOL HOLDER	1	PC.
104			216013-3	STEEL BALL 6	2	PC.
105			231669-1	TORSION SPRING 31	1	PC.
106			345334-7	CHANGE RING	1	PC.
107			418218-3	CHANGE COVER	1	PC.
108			216018-3	STEEL BALL 5.0	1	PC.
109			345335-5	LEAF SPRING	1	PC.
110			267270-6	FLAT WASHER 24	1	PC.

Item No	Type	Ref	Part No	Description	Qty	Unit
111			233924-7	RING SPRING 21	1	PC.
		INC.	418216-7	SPACER	1	PC.
		INC.	324353-6	CHUCK HOLDER	1	PC.
		INC.	251425-3	- FLAT HEAD SCREW M6X22	1	PC.
<b><u>ACCESSORIES</u></b>			<b>See catalogue or visit <a href="http://www.makita.ca">www.makita.ca</a> for optional accessory -</b>			
A01			194079-2	QUICK CHANGE DRILL CHUCK	1	PC.
A02			324219-0	DEPTH GAUGE	1	PC.
		INC.	419216-0	HANDLE	1	PC.
		INC.	417724-5	LATCH	2	PC.
A03			824799-1	PLASTIC CARRYING CASE	1	PC.
		INC.	324319-6	SHAFT	1	PC.
A04			194080-7	QUICK CHANGE SDS-PLUS CHUCK	1	PC.
		INC.		Item No. 95-111		
A05	1		188414-4	HAMMER SERVICE KIT (TYPE 1)	1	PC.
		INC.	216022-2	STEEL BALL 7.0 (Item No. 24)	1	PC.
		INC.	194074-2	CARBON BRUSH SET (Use 195001-2 for replacement)	1	PC.
		INC.	286263-4	CAP 35 (Item No.1)	1	PC.
		INC.	181490-7	HAMMER GREASE 30G (Use A-90582 for replacement)	2	PC.
		INC.	213227-5	O RING 16 (Item No. 35)	1	PC.
		INC.	233917-4	RING SPRING 28 (Item No. 33)	1	PC.
		INC.	213073-6	O RING 9 (Item No. 32)	1	PC.
		INC.	421955-0	CUSHION RING 13 (Item No. 30)	1	PC.
A05	2		195263-2	HAMMER SERVICE KIT (TYPE 2)	1	SET
		INC.	421955-0	CUSHION RING 13	1	PC.
		INC.	286263-4	CAP 35	1	PC.
		INC.	233917-4	RING SPRING 28	1	PC.
		INC.	216022-2	STEEL BALL 7.0	1	PC.
		INC.	213227-5	O RING 16	1	PC.
		INC.	213073-6	O RING 9	1	PC.
		INC.	194074-2	CARBON BRUSH SET (Use 195001-2 for replacement)	1	PC.
		INC.	195127-0	MAKITA GREASE RB NO.00 30G	2	PC.
A06			194582-3	GRIP BASE SET	1	PC.
		INC.	122809-1	SPACER 20 ASSY	1	PC.
		INC.	419975-6	GRIP BASE 20	1	PC.
		INC.	921919-9	HEX BOLT M8X10	1	PC.
A07			194580-7	DUSTCUP SET	1	PC.