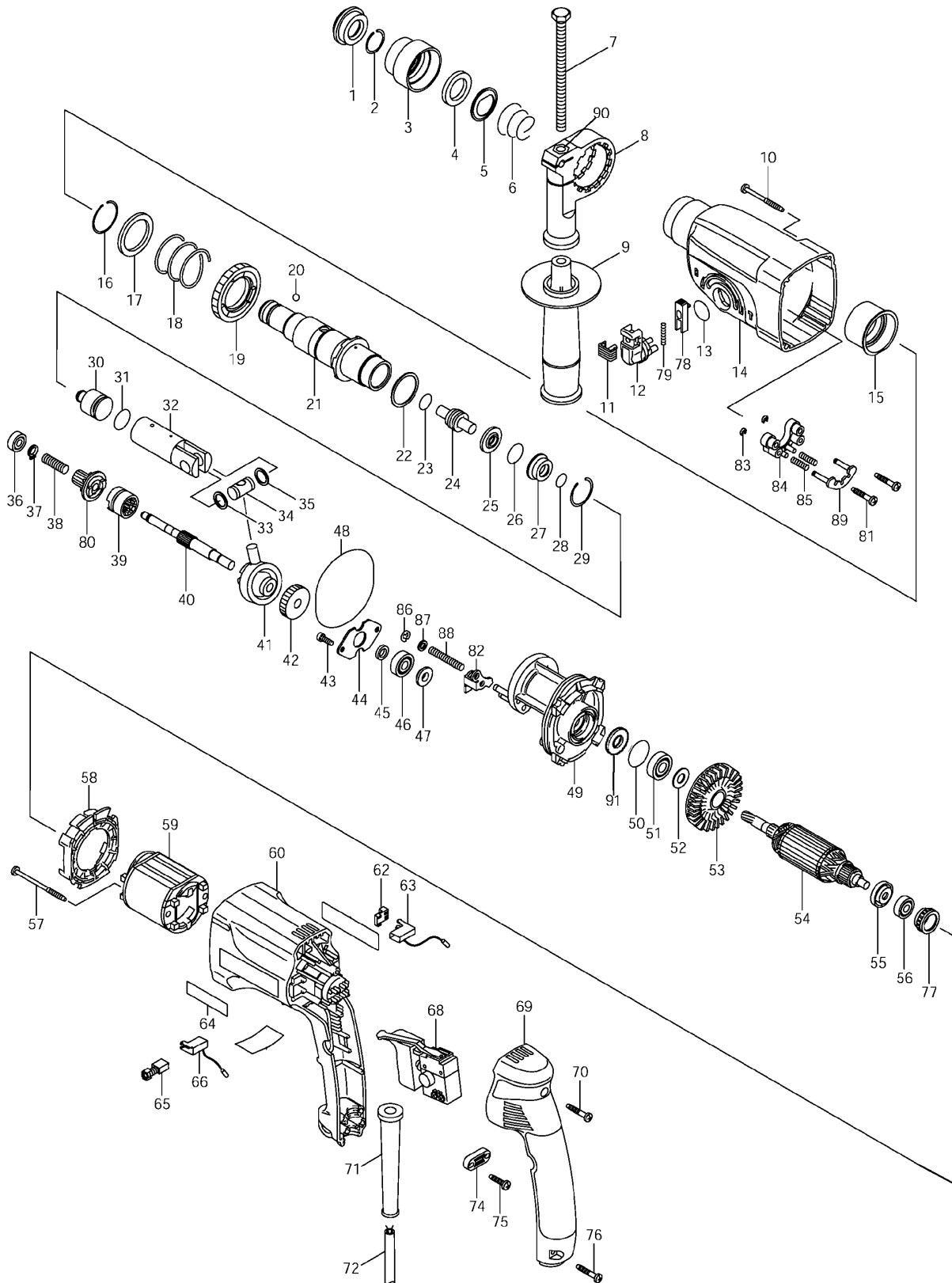
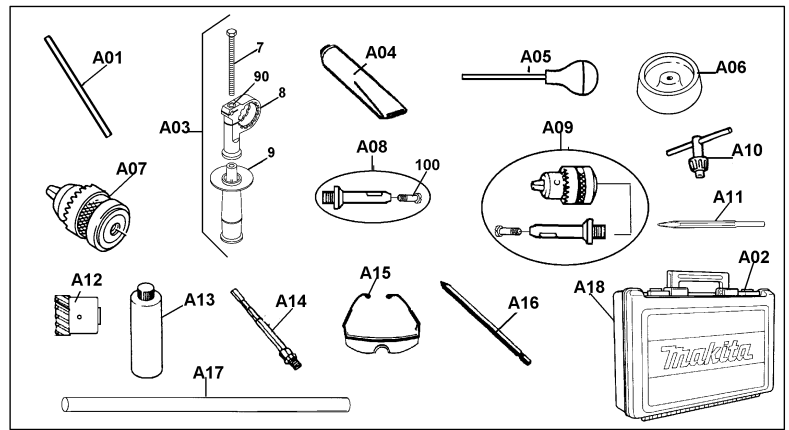
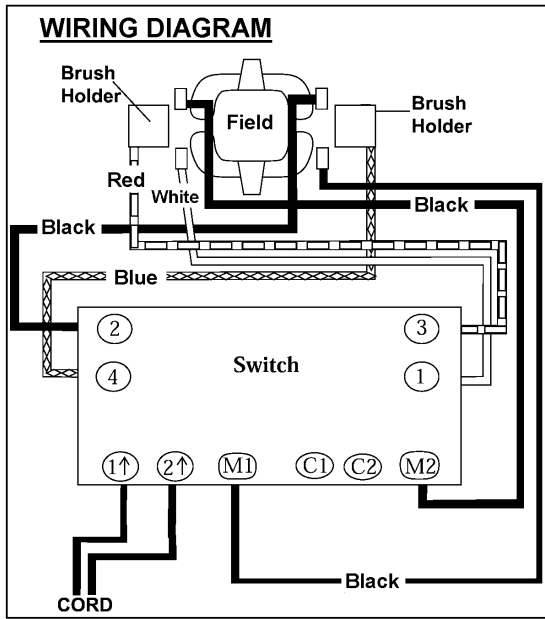




1" ROTARY HAMMER V.S. SDS-PLUS

Model HR2450 (MCC)





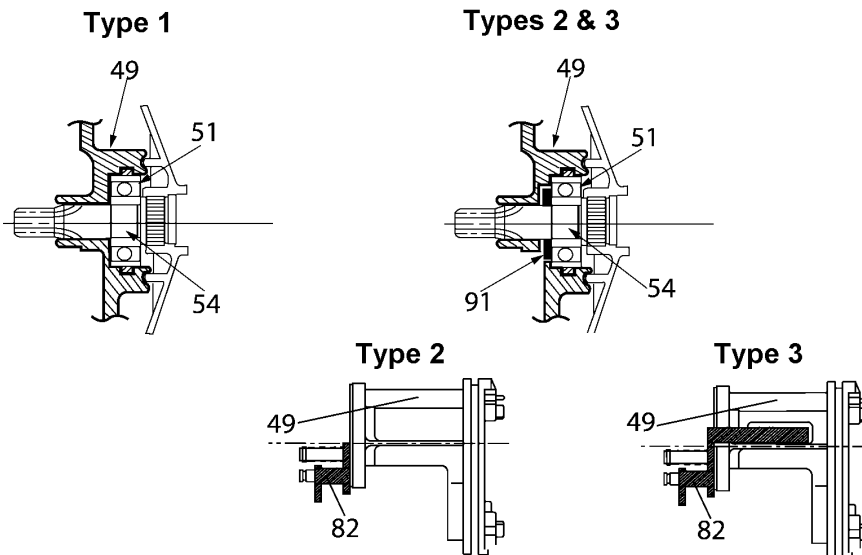
| Item No. | Part No. | No. Used | Description | Item No. | Part No. | No. Used | Description |
|----------|-----------------|----------|---|----------|----------|----------|--|
| 1 | 286263-4 | 1 | Cap 35 | 35 | 267104-3 | 1 | Flat Washer 12 |
| 2 | 233915-8 | 1 | Ring Spring 19 | 36 | 211012-0 | 1 | Ball Bearing 606ZZ |
| 3 | 417629-9 | 1 | Chuck Cover | 37 | 961003-8 | 1 | Retaining Ring S-7 |
| 4 | 257241-1 | 1 | Ring 21 | 38 | 233343-7 | 1 | Compression Spring 7 |
| 5 | 345187-4 | 1 | Guide Washer | 39 | 331634-1 | 1 | Clutch Cam |
| 6 | 233916-6 | 1 | Conical Comp. Spring 21-29 | 40 | 324248-3 | 1 | Cam Shaft |
| 7 | 921923-8 | 1 | Hex. Bolt M8X120 | 41 | 219014-0 | 1 | Swash Bearing 10 |
| 8 | 417630-4 | 1 | Grip Base | 42 | 226550-9 | 1 | Helical Gear 26 |
| 9 | 152521-9 | 1 | Grip 36 Com. | 43 | 266273-7 | 2 | Hex Socket Head Bolt M4X12 |
| 10 | 266069-6 | 4 | Tapping Screw 4X45 | 44 | 345179-3 | 1 | Bearing Retainer |
| 11 | 417794-4 | 1 | Cap | 45 | 267234-0 | 1 | Flat Washer 8 |
| 12 | 162229-7 | 1 | Change Lever Com. | 46 | 211032-4 | 1 | Ball Bearing 608ZZ |
| 13 | 213278-8 | 1 | O Ring 17 | 47 | 324212-4 | 1 | Ring 8 |
| 14 | 183441-6 | 1 | Gear Housing Set (Includes Item 15) | 48 | 213725-9 | 1 | O Ring 68 |
| 15 | 153290-5 | 1 | Needle Bearing Com. | 49 | * | 1 | Inner Housing Com. |
| 16 | 233918-2 | 1 | Ring Spring 28 | 50 | 213380-7 | 1 | O Ring 24 |
| 17 | 267228-5 | 1 | Washer 30 | 51 | 210060-6 | 1 | Ball Bearing 609LLU |
| 18 | 233328-3 | 1 | Compression Spring 31 | 52 | 267231-6 | 1 | Flat Washer 9 |
| 19 | 227028-5 | 1 | Spur Gear 51 | 53 | 240047-4 | 1 | Fan 60 |
| 20 | 216022-2 | 1 | Steel Ball 7.0 | 54 | 517376-3 | 1 | Armature Assy (Includes Items 51-53, 55 & 56) |
| 21 | 153365-0 | 1 | Tool Holder Com. | 55 | 681636-0 | 1 | Insulation Washer |
| 22 | 267229-3 | 1 | Flat Washer 28 | 56 | 211021-9 | 1 | Ball Bearing 607LLB |
| 23 | 213128-7 | 1 | O Ring 12 | 57 | 266052-3 | 2 | Tapping Screw 4X60 |
| 24 | 324396-8 | 1 | Impact Bolt (Old 324278-4) | 58 | 417631-2 | 1 | Baffle Plate |
| 25 | 324218-2 | 1 | Ring 9 | 59 | 633491-6 | 1 | Field |
| 26 | 213232-2 | 1 | O Ring 15 | 60 | 183409-2 | 1 | Motor Housing (Includes Item 64) |
| 27 | 324216-6 | 1 | O Ring Case | 62 | 689111-0 | 2 | Spacer |
| 28 | 213073-6 | 1 | O Ring 9 | 63 | 643988-7 | 1 | Brush Holder |
| 29 | 233917-4 | 1 | Ring Spring 28 | 64 | 819063-3 | 1 | Makita Label |
| 30 | 324214-0 | 1 | Striker | 65 | 191927-6 | 2 | Carbon Brush CB-407 (2pcs/Set) |
| 31 | 213227-5 | 1 | O Ring 16 | 66 | 643989-5 | 1 | Brush Holder |
| 32 | 331632-5 | 1 | Piston Cylinder (Silver, Flat --> Silver, Gloss) | 68 | 650508-0 | 1 | Switch |
| 33 | 267104-3 | 1 | Flat Washer 12 | 69 | 153284-0 | 1 | Handle Cover Com. (Includes 2X263002-9 -Rubber Pin 4) |
| 34 | 324215-8 | 1 | Piston Joint | 70 | 265999-8 | 1 | Tapping Screw 4X25 |

| Item No. | Part No. | No. Used | Description | Item No. | Part No. | No. Used | Description |
|--------------------|-----------------|----------|---------------------------|----------|----------|----------|--|
| 71 | 682559-5 | 1 | Cord Guard 8 | A03 | 134943-5 | 1 | Grip 36 Assy (Includes Items 7-9 & 90) |
| 72 | 664895-1 | 1 | Cord With Plug 2P-18-4.0M | A04 | 181573-3 | 1 | Bit Grease |
| 74 | 687063-9 | 1 | Strain Relief | A05 | 765009-6 | 1 | Blow-Out Bulb |
| 75 | 265995-6 | 2 | Tapping Screw 4X18 | A06 | 421342-3 | 1 | Dust Cup 5 (6-14.5mm Bit Dia.) |
| 76 | 265999-8 | 2 | Tapping Screw 4X25 | | 421664-1 | 1 | Dust Cup 9 (12-16mm Bit Dia.) |
| 77 | 421494-0 | 1 | Rubber Ring 19 | A07 | 763047-2 | 1 | ½" Drill Chuck |
| 78 | 417795-2 | 1 | Lock Button | A08 | 122573-4 | 1 | Chuck Adaptor (Includes Item 100) |
| 79 | 233341-1 | 1 | Compression Spring 3 | A09 | 122574-2 | 1 | Drill Chuck Assy (Includes Items A07 & A08) |
| 80 | 226399-7 | 1 | Spur Gear 10 | A10 | 763432-9 | 1 | Chuck Key |
| 81 | 265999-8 | 2 | Tapping Screw 4X25 | A11 | ----- | 1 | Bull Point, Cold Chisel, Grooving Chisel, Scaling Chisel (See Catalogue for Details) |
| 82 | * | 1 | Change Plate | A12 | ----- | 1 | Core Bit (See Catalogue for Details) |
| 83 | 961017-7 | 2 | Stop Ring E-3 | A13 | 181490-7 | 1 | Hammer Grease 30cc |
| 84 | 417796-0 | 1 | Guide Base | A14 | A-86642 | 1 | Core Bit Adaptor (SDS Plus) |
| 85 | 233344-5 | 2 | Compression Spring 4 | A15 | 191686-A | 1 | Makita Safety Glasses |
| 86 | 961011-9 | 1 | Stop Ring E-4 | A16 | 752031-2 | 1 | Center Bit |
| 87 | 941102-2 | 1 | Flat Washer 5 | A17 | 256806-6 | 1 | Rod (For 25-40mm) |
| 88 | 233342-9 | 1 | Compression Spring 6 | | 256815-5 | 1 | Rod (For 45-118mm) |
| 89 | 163430-7 | 1 | Lock Plate Com. | A18 | 824650-5 | 1 | Plastic Carrying Case (Includes Item A02) |
| 90 | 345280-4 | 1 | Hex. Washer | | | | |
| 91 | 267271-4 | 1 | Flat Washer 9 (Add) * | | | | |
| 100 | 251425-3 | 1 | (-) Flat Head Screw M6X22 | | | | |
| Accessories | | | | | | | |
| A01 | 324219-0 | 1 | Depth Gauge | | | | |
| A02 | 417724-5 | 2 | Latch | | | | |

SERVICE CHANGES

* SEE SERVICE CHANGES

1. Modification of Inner Housing Com and Change Plate.



| Item No. | Description | Type 1 | Type 2 | Type 3 |
|----------|-------------------|----------|------------|-----------------|
| 49 | Inner Housing Com | 153367-6 | 153610-3 | 153687-8 |
| 82 | Change Plate | 345220-2 | | 345363-0 |
| 91 | Flat Washer 9 | ----- | 267271-4 | |
| | Implementation | | ~ Oct 2003 | Nov 2003 ~ |

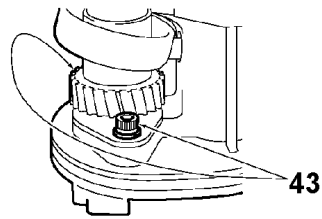
Above parts are completely interchangeable as a set.

SERVICE NOTE

Follow these steps when replacing the Inner Housing Com and the Change Plate.

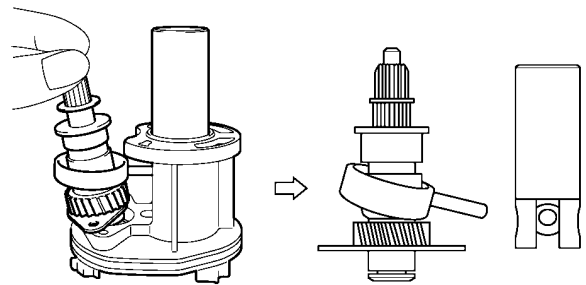
1. Remove Gear Housing Cover.
2. Remove Tool Holder section.
3. Remove two M4x12 Hex. Socket Head Bolts. (Fig. 1)

Fig. 1



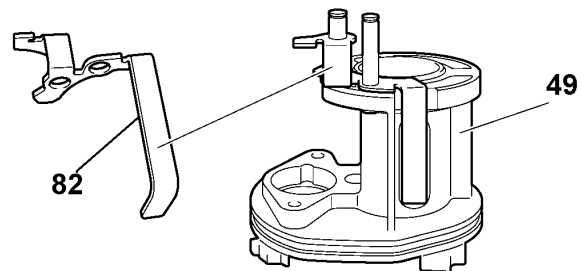
4. Remove Shaft portion and Piston Cylinder. (Fig. 2)

Fig. 2



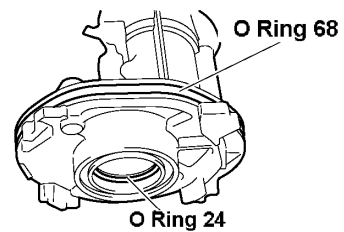
5. Remove Change Plate. (Fig. 3)

Fig. 3



6. Remove O-Ring 24 and O-Ring 68. (Fig. 4)

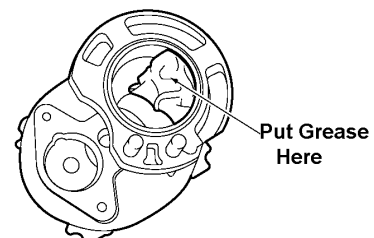
Fig. 4



All steps for removal of re-use parts have now been completed.

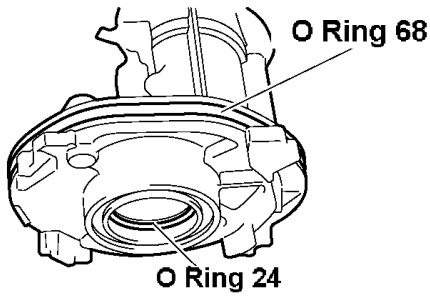
Fig. 6

7. Replace the current Inner Housing complete by the new one.
8. Apply 5g of Makita Grease RA No.1 as (Fig. 6)



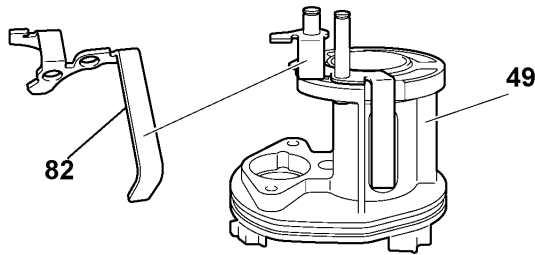
9. Install O-Ring 24 and O-Ring 68 as (Fig. 4)

Fig. 4



10. Set the new Change plate to the new Inner housing complete (Fig. 10).

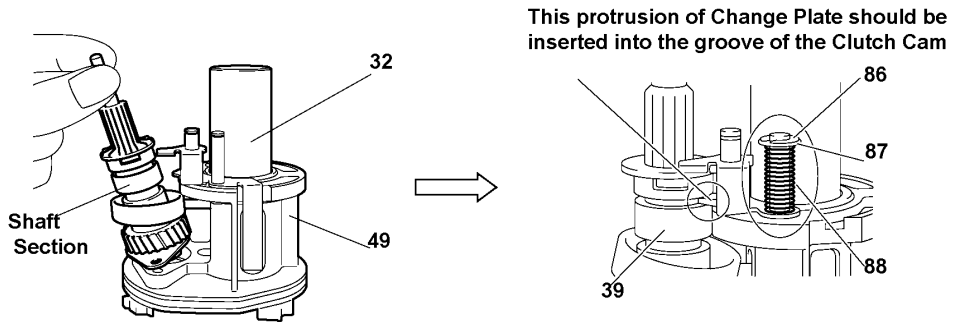
Fig. 10



11. Fix The Current Shaft Section And Pliston Cylinder with Inner Housing, and then secure them by screwing the new M4x12 Hex. Socket Head Bolts (2pcs). Next, Set the following parts on Pin 6 shown in Fig 11.

- Stop Ring E-4
- Compression Spring 6
- Flat Washer 5

Fig. 11



Supplementary information: Check whether Flat Washer 9 can be seen on the Armature Shaft as Fig. 12 by removing the Armature from the machine. If not, put Flat Washer 9 (Part No. 267271-4) as shown in (Fig 12)

