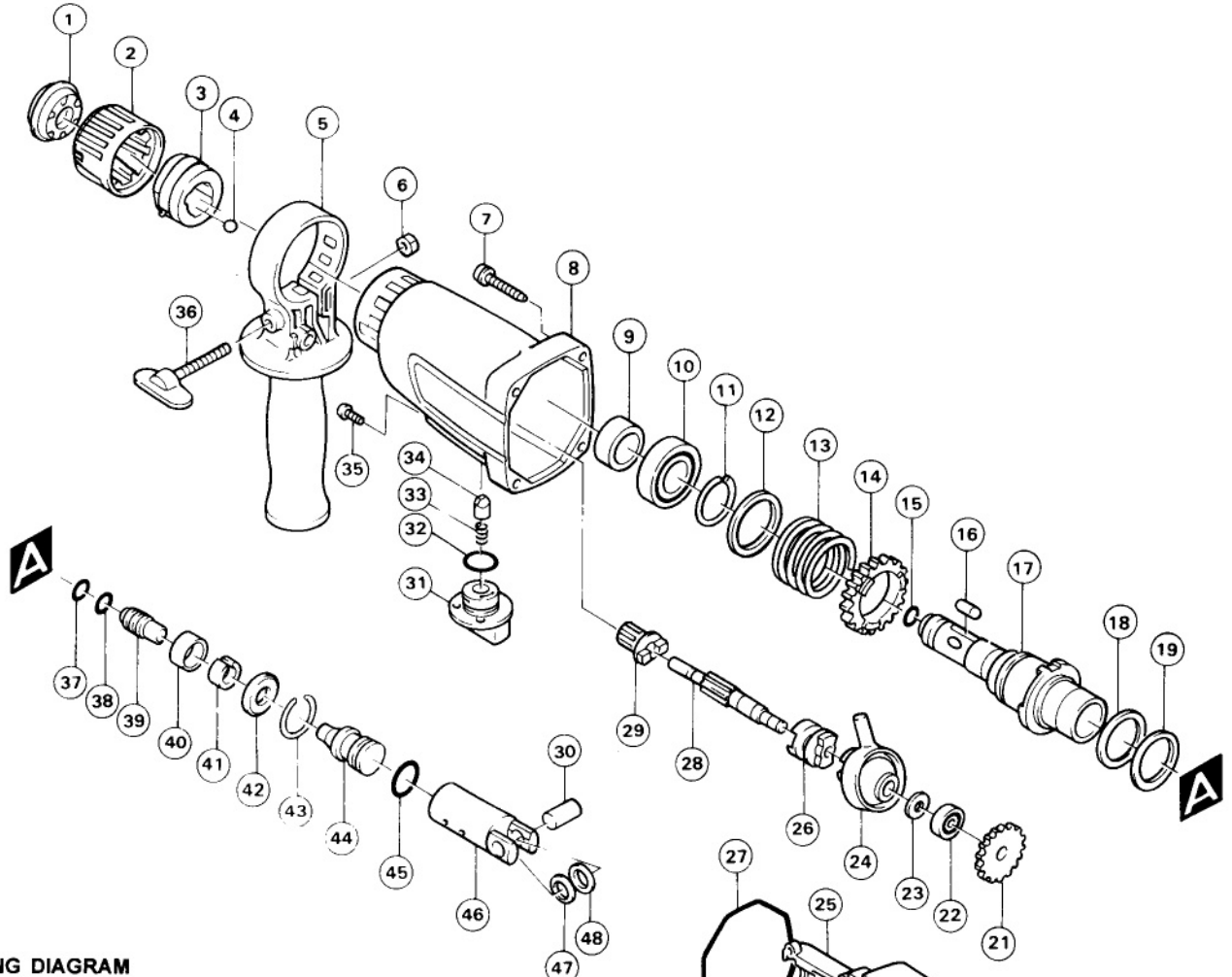


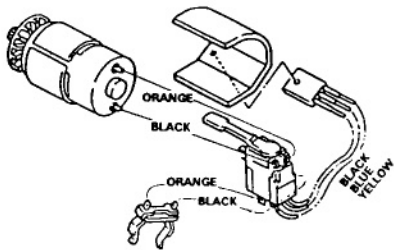


# 5/8" (16mm) CORDLESS ROTARY HAMMER

Model HR160DH  
Model HR160DWH



## WIRING DIAGRAM



**IMPORTANT** — To assure product **SAFETY** and **RELIABILITY**, repairs, maintenance or adjustments should be performed by **MAKITA** Service Centers or other qualified service organizations. Always use **MAKITA** replacement parts.

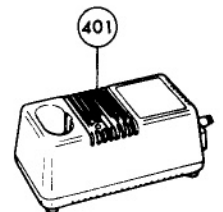
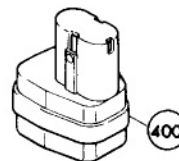
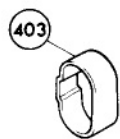
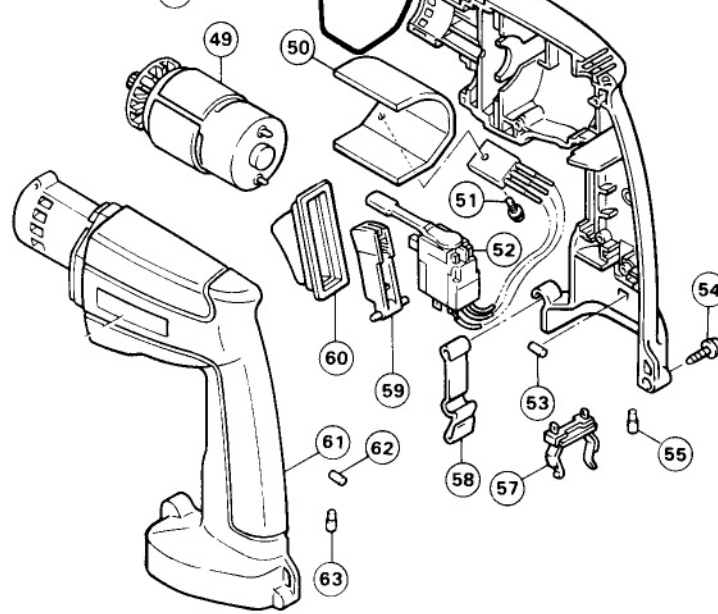


Fig.	Part No.	Qty. Used	Description	Fig.	Part No.	Qty. Used	Description
1	286234-1	1	CAP 37	38	213063-9	1	O RING 10
2	415076-8	1	CHANGE RING COVER	39	322586-7	1	IMPACT BOLT
3	154404-9	1	CHANGE RING COMPLETE (Incl. Leaf Spring 232122-0 & Spring Pin 4-6 258022-6)	40	262038-5	1	RUBBER RING 17
4	216009-4	1	STEEL BALL 7.1	41	321915-1	1	IDLER
5	273634-4	1	GRIP 33	42	267109-3	1	FLAT WASHER 13.5
6	931302-2	1	HEX. NUT M6	43	231953-4	1	RING SPRING 23
7	266012-5	4	TAPPING SREW 5X35	44	322720-9	1	STRIKER
8	159594-3	1	GEAR HOUSING (Incl. Flat Washer 7 253133-2, Compression Spring 3.5 231234-6, Steel Ball 5.6 216011-7)	45	213214-4	1	O RING 16
9	257172-4	1	RING 20	46	316450-2	1	PISTON CYLINDER
10	211322-5	1	BALL BEARING 6904LLU	47	267104-3	1	FLAT WASHER 12
11	231954-2	1	RING SPRING 28	48	267104-3	1	FLAT WASHER 12
12	267110-8	1	FLAT WASHER 31	49	629685-9	1	DC MOTOR 12V (Incl. Spur Gear 11 221975-2, Fan 44 241871-8, Flat Washer 5 253811-4, Flat Washer 15 267137-8, Flat Washer 20 267138-6)
13	233123-1	1	COMPRESSION SPRING 32	50	689028-7	1	RADIATING PLATE
14	226260-8	1	SPUR GEAR 46	51	911013-5	1	PAN HEAD SCREW M3X10
15	213068-9	1	O RING 10	52	651911-8	1	SWITCH
16	322517-6	2	ROLLER 7	53	263002-9	1	RUBBER PIN 4
17	322553-2	1	TOOL HOLDER	54	265995-6	8	TAPPING SCREW 4X18
18	267105-1	1	FLAT WASHER 29	55	263014-2	1	RUBBER PIN 4
19	267105-1	1	FLAT WASHER 29	57	643918-8	1	BATTERY HOLDER
21	226288-6	1	SPUR GEAR 49	58	344121-1	1	SET PLATE
22	211022-7	1	BALL BEARING 607ZZ	59	415499-0	1	SWITCH LEVER
23	253186-1	1	FLAT WASHER 7	60	421495-8	1	DUST COVER
24	219007-7	1	SWASH BEARING 9	61	182672-4	1	MOTOR HOUSING SET (Incl. Fig. 25)
25	182672-4	1	MOTOR HOUSINGT SET (Incl. Fig. 61)	62	263002-9	1	RUBBER PIN 4
26	322652-0	1	CLUTCH	63	263014-2	1	RUBBER PIN 4
27	213720-9	1	O RING 67	64	321144-6	1	DEPTH GAUGE
28	322721-7	1	CAM SHAFT				
29	226259-3	1	SPUR GEAR 10				
30	321916-9	1	PISTON JOINT				
31	415372-4	1	CHANGE LEVER				
32	213265-7	1	O RING 17				
33	231288-3	1	COMPRESSION SPRING 6				
34	322653-8	1	PUSH CONE				
35	251392-2	1	PAN HEAD SCREW M4				
36	265715-8	1	SCREW 6X40				
37	213063-9	1	O RING 10				
				<b><u>ACCESSORIES</u></b>			
				400	192296-8	1	HIGH CAPACITY BATTERY 1201
				401	113126-0	1	HIGH CAPACITY CHARGER DC1201
				403	414938-7	1	BATTERY COVER
				404	824435-A	1	PLASTIC CARRYING CASE

2 Model HR160DH  
2 Model HR160DWH

04-95