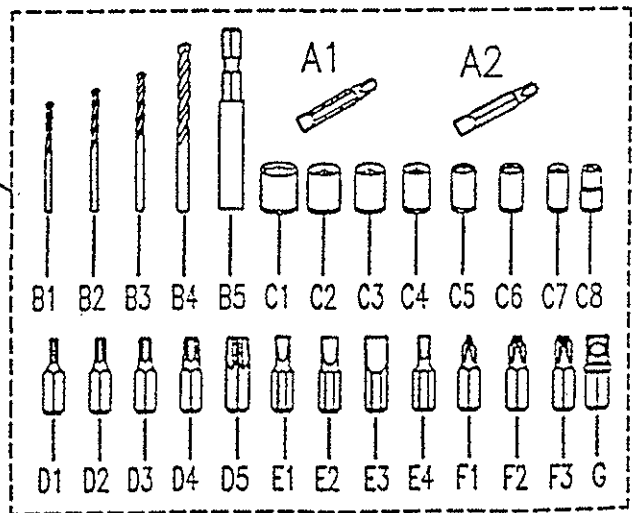
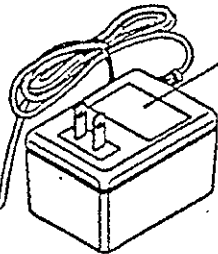
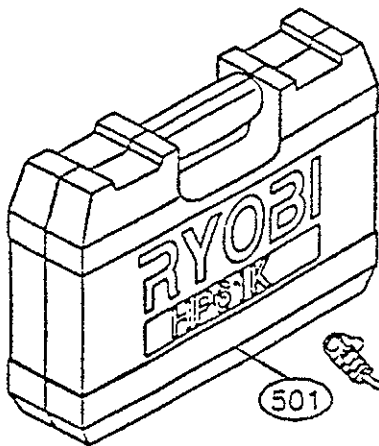
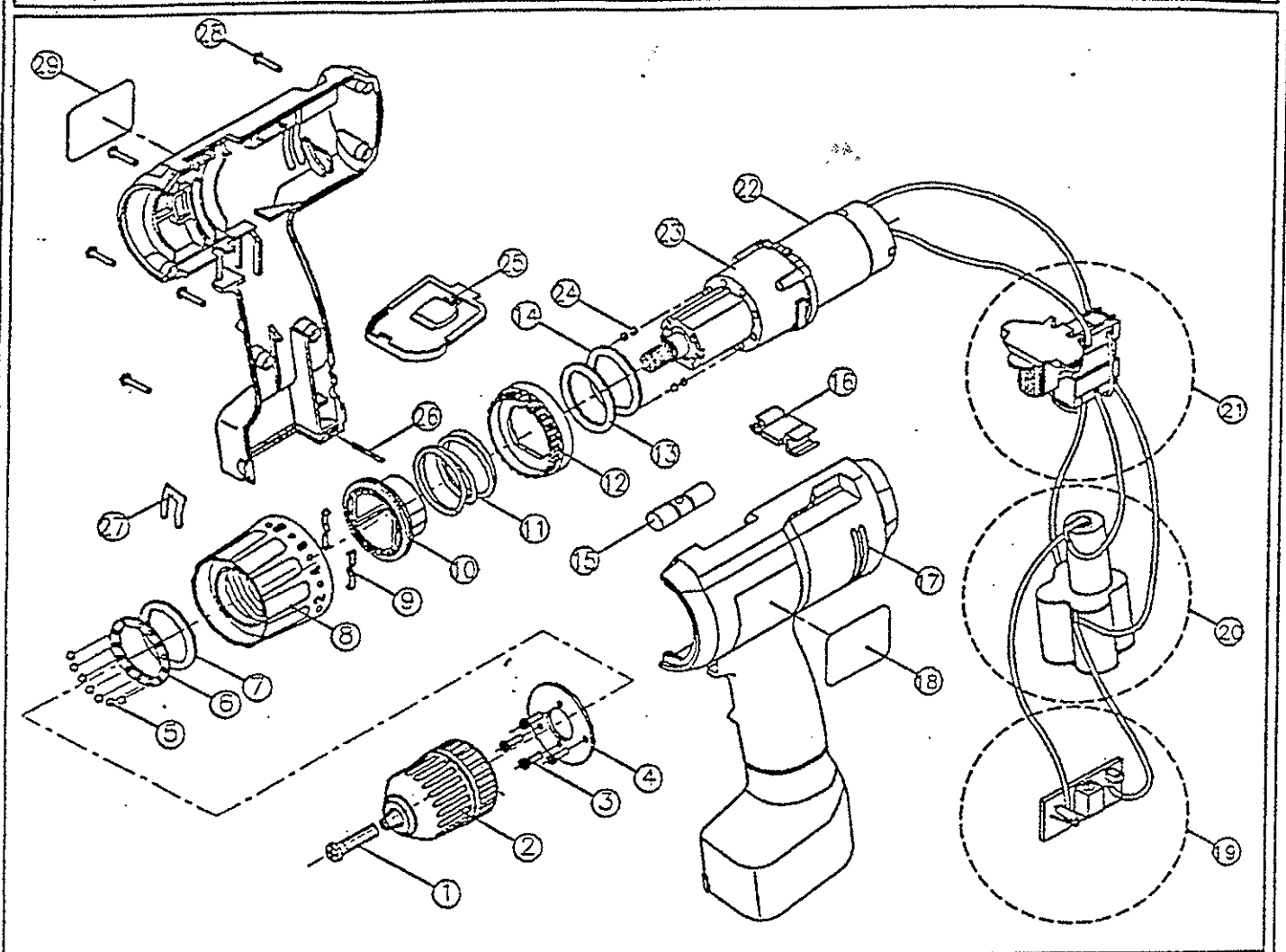


6V CTR HANDLE DRILL HP61K



**PARTS LIST FOR AFTER SALES SERVICE
MODEL HP61K**

REF	PART NO.	DESCRIPTION	QTY	REF	PART NO.	DESCRIPTION	QTY
1	1130049	SCREW M5X0.8X26MM	1	STANDARD ACCESSORIES			
2	1940015	CHUCK	1	501	4770004	CARRYING CASE	1
3	1130302	SCREW M3X14	4	502	4400001	ADAPTOR , 120V-AC	1
4	4900094	MOUNTING PLATE	1	503	4240021	ASSY, DRILL BIT SET	1
5	1290021	STEEL BALL 3MM	8				
6	4190002	BALL HOLDER, PLASTIC	1				
7	4900095	WASHER	1				
8	4900096	CLUTCH CAP	1				
9	4180026	SPRING PLATE	2				
10	4900097	PLASTIC SLEEVE	1				
11	4180027	TORQUE SPRING	1				
12	4360005	LOCATION CUP, PLASTIC	1				
13	4900098	WASHER 30.5X15MM	1				
14	4900099	CLUTCH WASHER	1				
15	4950024	LEVELLER ASSY	1				
16	4360006	BIT HOLDER, PLASTIC	1				
17	4800032	HOUSING	1				
18	4910023	BRAND LABEL	1				
19	4420008	PCB ASSY	1				
20	4590009	BATTERY PACK ASSY	1				
21	4550036	SWITCH ASSY 2-SPEED	1				
22	4030013	MOTOR ASSY	1				
23	4050010	GEAR BOX	1				
24	4750012	STEEL BALLS/32"	16				
	4360007	TRAP DOOR	1				
26	4180028	SPRING PIN	1				
27	4180029	U-CLIP	2				
28	1130304	SET SCREW	6				
29	4910026	RATING LABEL	1				

SERVICE NOTES

96/20270/em