



**4V LITHIUM-ION
REVERSIBLE SCREWDRIVER
Model No. HP54L
Replacement Parts List**

One World Technologies, Inc.
1428 Pearman Dairy Road, Anderson, SC 29625
Phone 1-800-525-2579
www.ryobitools.com

RYOBI SCREWDRIVER – MODEL NO. HP54L

The model number will be found on a label attached to the housing. Always mention the model number in all correspondence regarding your **SCREWDRIVER** or when ordering replacement parts.

FIGURE A

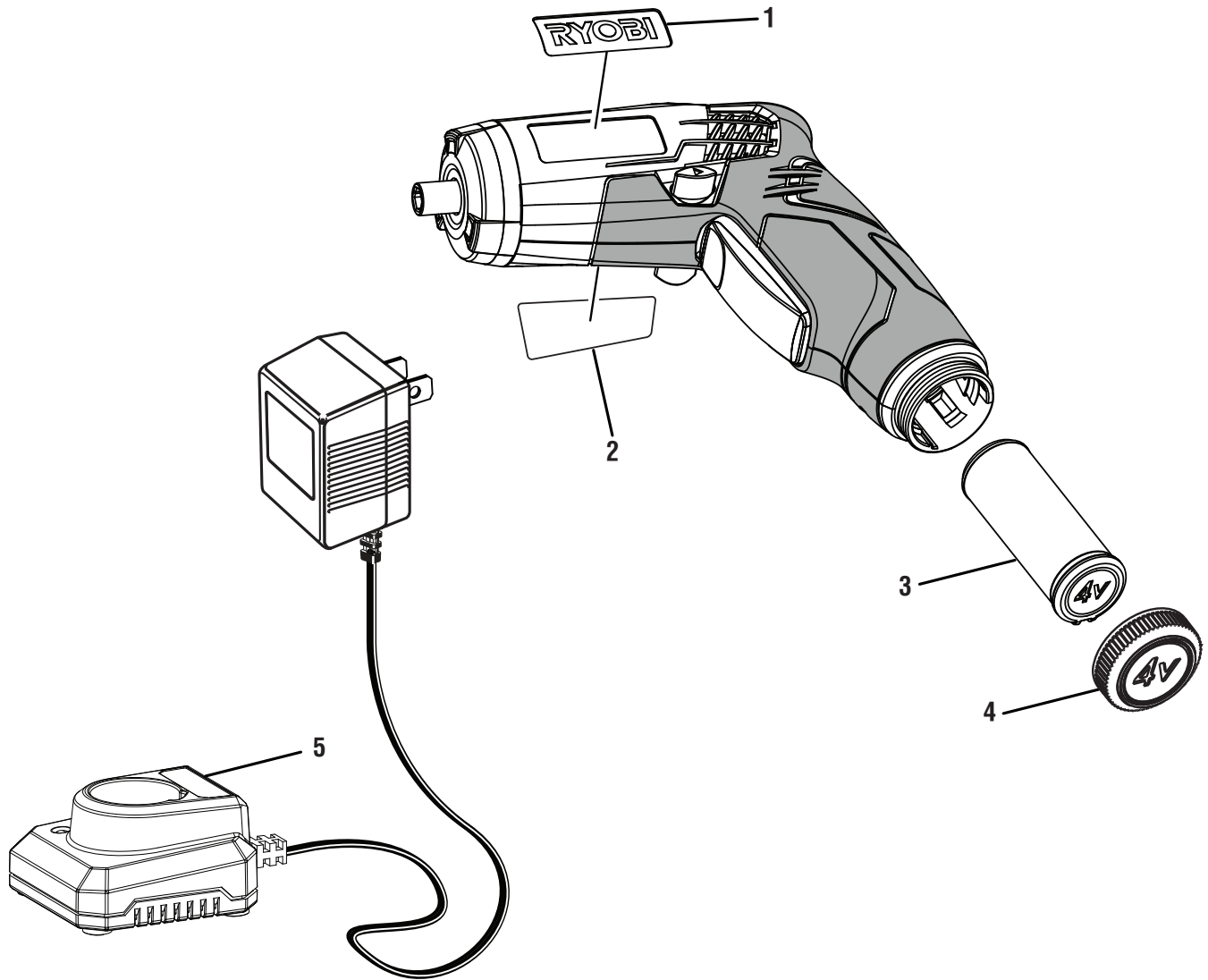


FIGURE A PARTS LIST

KEY NO.	PART NUMBER	DESCRIPTION	QTY.	KEY NO.	PART NUMBER	DESCRIPTION	QTY.
1	940114179	Logo label.....	1	NOT SHOWN:			
2	941121366	Data label.....	1	670800064	Bit (Phillips Hd.)		
3	130166025	Battery Pack (AP4001, 4 Volt Li-ion).....	1	670800084	Bit (Flat Hd.)		
4	350061002	Battery Cap Assembly.....	1	991000172	Operator's Manual (HP54L)		
5	140132007	Charger (AP4800, 4 Volt Li-ion).....	1	987000706	Operator's Manual (AP4001)		
				987000820	Operator's Manual (AP4800)		
				2-16-15			
				(Rev:01)			