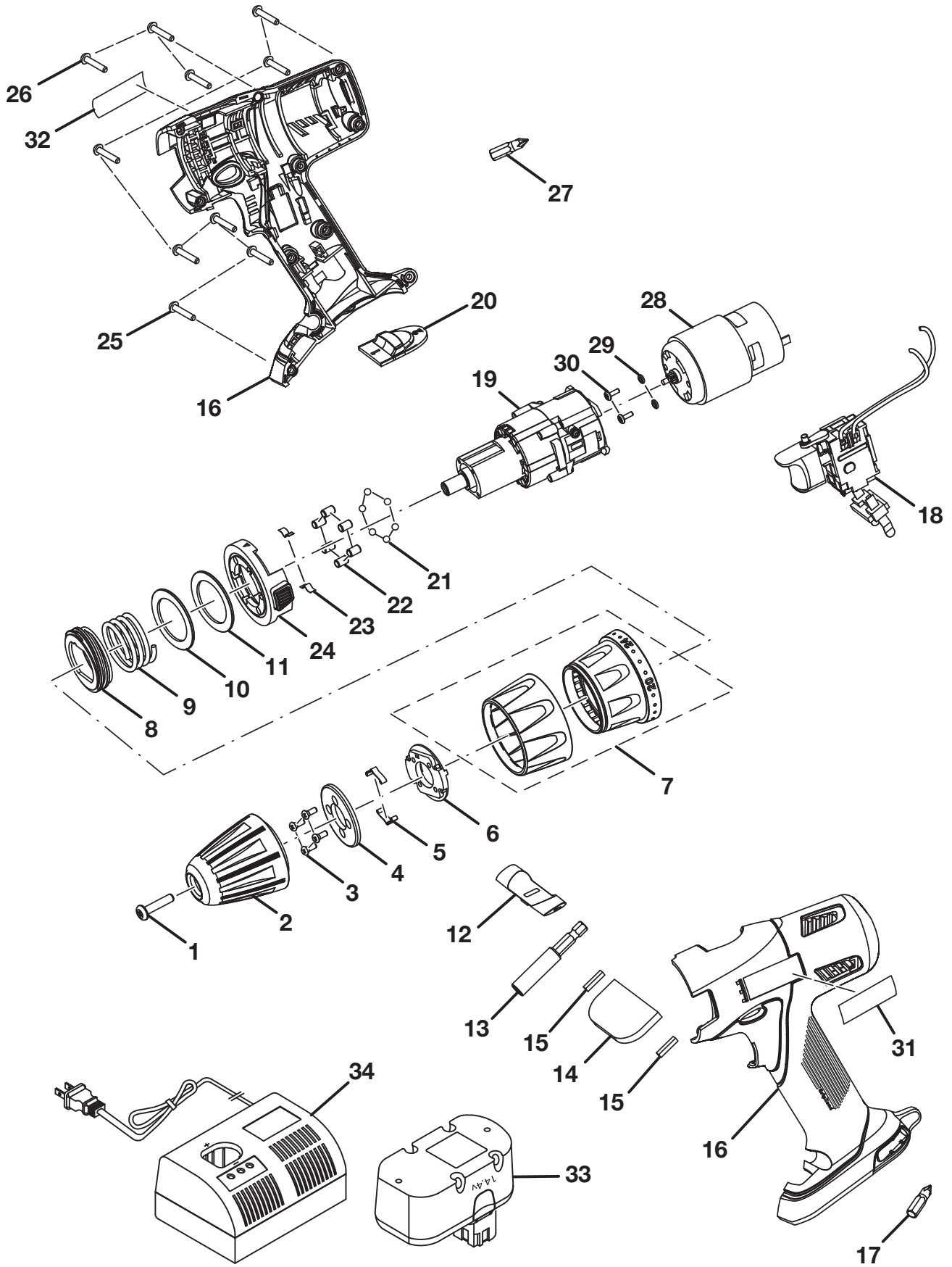


RYOBI 14.4 VOLT DRILL - MODEL NUMBER HP214



RYOBI 14.4 VOLT DRILL – MODEL NUMBER HP214

The model number will be found on a label attached to the motor housing. Always mention the model number in all correspondence regarding your **Drill** or when ordering repair parts.

PARTS LIST

KEY NO.	PART NUMBER	DESCRIPTION	QTY.
1	6613402	SCREW (SPECIAL)	1
2	690032023	1/2 in. CHUCK	1
3	660204007	SCREW (M3 x 18 mm)	4
4	631502001	MOUNTING PLATE	1
5	6392202	SPRING PLATE (0.5 mm)	2
6	540346011	SPRING HOLDER	1
7	301319001	CLUTCH CAP ASSEMBLY	1
8	5501401	SLEEVE	1
9	6872401	TORQUE CONTROL SPRING	1
10	672025001	WASHER (OD43 x ID29.4 x 1.0 mm)	1
11	671994003	CLUTCH WASHER	1
12	343547001	FORWARD/REVERSE SELECTOR	1
13	670283003	BIT HOLDER	1
14	600823003	MAGNET	1
15	560444004	FOAM RUBBER	2
16	200105025	HOUSING ASSEMBLY	1
17	670800032	SINGLE BIT (PH #2 25 mm)	1
18	270023174	SWITCH ASSEMBLY	1
19	220018036	GEAR BOX ASSEMBLY	1
20	343552003	2-SPEED CHANGE KNOB	1
21	6721901	BALL (Ø5 x 5.8 mm)	6
22	680338023	PIN	6
23	631503001	SPRING PLATE (0.3 mm)	2
24	343550001	BYPASS RING	1
25	6620614	SCREW (M3.5 x 14 mm)	7
26	660004007	SCREW (M3 x 12 mm)	3
27	670804025	SINGLE BIT (SLOT 7/32 in. 25 mm)	1
28	230076006	MOTOR ASSEMBLY	1
29	6703001	SPRING WASHER	2
30	6621205	SCREW (M4 x 8 mm PAN HD.)	2
31	940054115	LOGO LABEL	1
32	940237121	DATA LABEL	1
33	130281002	BATTERY PACK	2
34	140309002	CHARGER	1
35	300912260	CARRYING CASE (NOT SHOWN)	1
	983000916	OPERATOR'S MANUAL	
	11-30-10		
	(REV:04)		