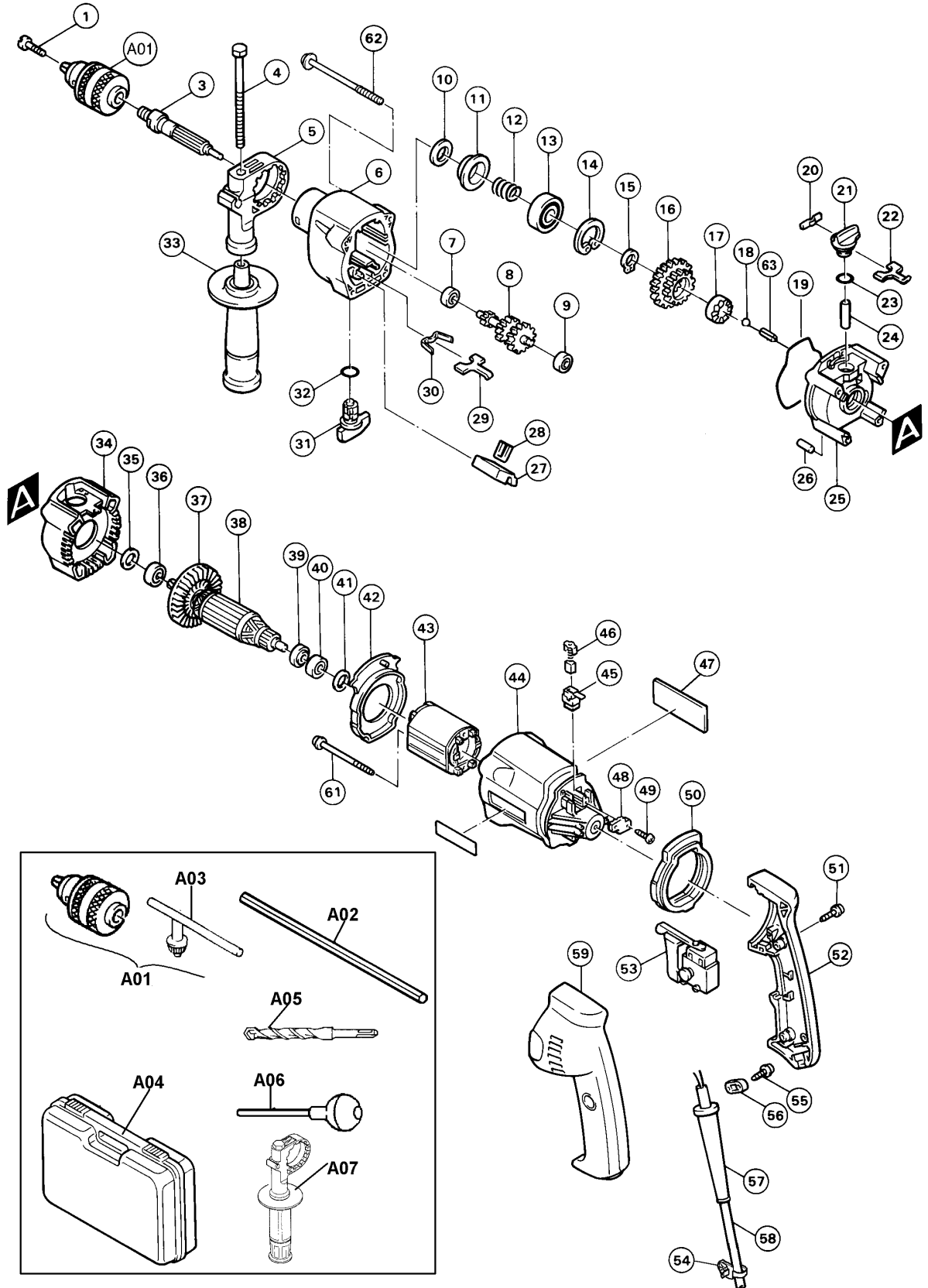


3/4" HAMMER DRILL 2 -SPEED V.S.

Model HP2030*(MME)

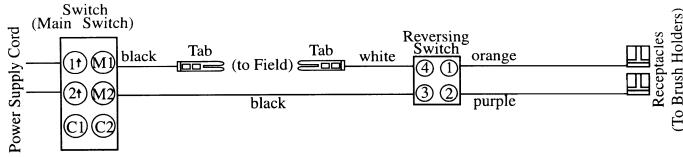
(Discontinued in 1999)

Model HP2031 (MME)



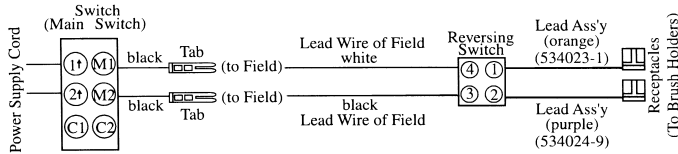
WIRING DIAGRAM

For Switch # 651935-4 with Type 1 Field # 633295-6



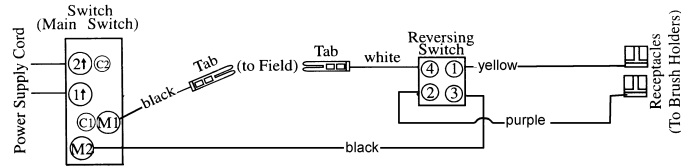
WIRING DIAGRAM

For Switch 651987-5 (J1MK721DV) with Type 1 Field # 633295-6



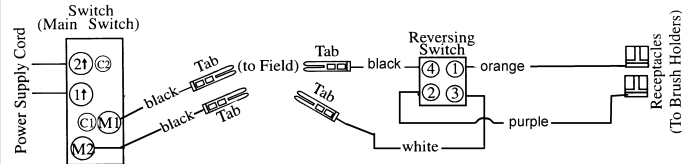
WIRING DIAGRAM

For Switch 651986-7 (TG803TLB-1) with Type 1 Field # 633295-6



WIRING DIAGRAM

For Switch 651986-7 (TG803TLB-1) with Type 2 Field # 633410-2



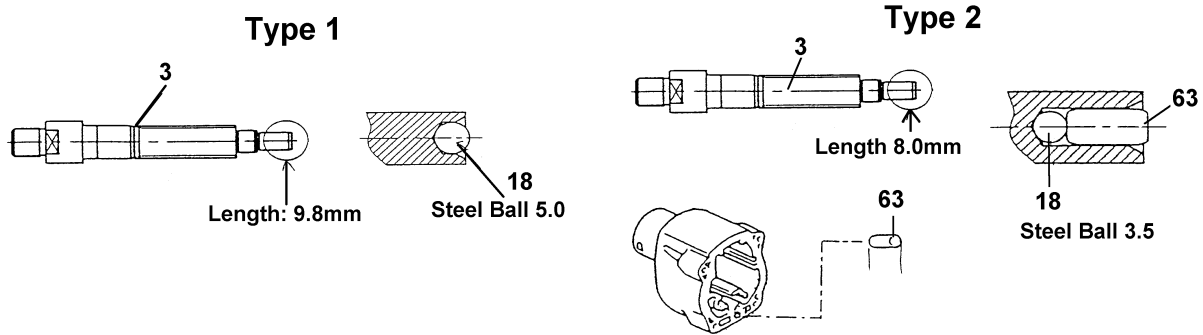
Item No.	Part No.	No. Used	Description	Item No.	Part No.	No. Used	Description
1	251425-3	1	(-) Flat Head Screw M6x22(Type 1)	33	152521-9	1	Grip 36 Com. (Old 152489-9)
	251460-1	1	(-) Flat Head Screw M6x22(Type 2)				(Includes Hex Nut M8 - 931402-8)
	251464-3	1	(-) Flat Head Screw M6x22 W/Glue (Type 3)	34	415615-4	1	Cam Hsg Cover
3	*	1	Spindle	35	253707-9	1	Flat Washer 16 *
4	921919-9	1	Hex Bolt M8x110	36	210005-4	1	Ball Bearing 608DDW
5	415485-1	1	Grip Base	37	241850-6	1	Fan 60
6	415614-6	1	Gear Hsg.	38	517101-2	1	Armature Assy
7	211012-0	1	Ball Bearing 606ZZ				(Includes Items 36, 37, 39 & 40)
8	226818-3	1	Gear Com. 8-19-25	39	681614-0	1	Insulation Washer
9	211012-0	1	Ball Bearing 606ZZ	40	211026-9	1	Ball Bearing 627LLB
10	213314-0	1	Oil Seal 19	41	253707-9	1	Flat Washer 16
11	344177-4	1	Cup Washer 26	42	415618-8	1	Baffle Plate
12	233091-8	1	Compression Spring 16	43	633410-2	1	Field (Old 633295-6)
13	211206-7	1	Ball Bearing 620LLB	44	415601-5	1	Motor Hsg.
14	962153-2	1	Retaining Ring R-35	45	643923-5	2	Brush Holder
15	961055-9	1	Retaining Ring S-15	46	191927-6	2	Carbon Brush CB-407 (2pcs/Set)
16	226289-4	1	Spur Gear 27-38	47	858233-9	1	Name Plate F/HP2030
17	223104-3	1	Cam A		858234-7	1	Name Plate F/HP2031
18	*	1	Steel Ball	48	415622-7	2	Brush Holder Plate
19	213759-2	1	O Ring 72	49	266007-8	4	Tapping Screw Bind PT3x10
20	232053-3	1	Leaf Spring	50	421505-1	1	Cushion Rubber
21	415619-6	1	Change Lever A	51	265995-6	5	Tapping Screw 4x18
22	344178-2	1	Lock Plate	52	182724-1	1	Handle Set (Old 415616-2)
23	213162-7	1	O Ring 14	53	*	1	Switch
24	322787-7	1	Change Pin 8	54	410102-8	1	Key Holder (For 1/2" & 5/8" Chuck Key)
25	*	1	Cam Hsg Com.	55	265995-6	2	Tapping Screw 4x18
26	256251-5	1	Pin 4 (Old 256226-4)	56	687063-9	1	Strain Relief
27	415621-9	1	Rack12	57	682549-8	1	Cord Guard 8-85
28	344179-0	1	Change Plate	58	664013-1	1	Cord With Plug 2P-18-2.5M
29	344178-2	1	Lock Plate	59	182724-1	1	Handle Set (Old 415617-0) *
30	232143-2	1	Leaf Spring	60	819063-3	1	Makita Label
31	415620-1	1	Change Lever B	61	266060-4	2	Tapping Screw Flange PT4x65
32	213162-7	1	O Ring 14	62	266038-7	4	Tapping Screw Flange PT5x70

2 Model HP2030*
2 Model HP2031

Item No.	Part No.	No. Used	Description	Item No.	Part No.	No. Used	Description
63	256251-5	1	Pin 4 (Added)*	Accessories			
100	534024-9	1	Lead Assy (Purple) (Receptacle & Lead Wire)	A01	192552-6	1	1/2" Drill Chuck & Chuck Key Set (HP2030)
101	534023-1	1	Lead Assy (Orange) (Receptacle & Lead Wire)		192664-5	1	1/2" Keyless Chuck (HP2031) (Old 192521-7)
102	654126-6	2	Tab	A02	415486-9	1	Depth Gauge
103	654069-2	2	Receptacle	A03	763440-0	1	Chuck Key S13 (HP2030)
				A04	824485-4	1	Plastic Carrying Case
				A05	----	1	Hammer Bit (See Catalogue for Details)
				A06	765009-6	1	Blow-Out Bulb 64
				A07	192985-5	1	Grip Assy (Includes Items 4, 5, & 33) (Old 152489-0A)

SERVICE CHANGES

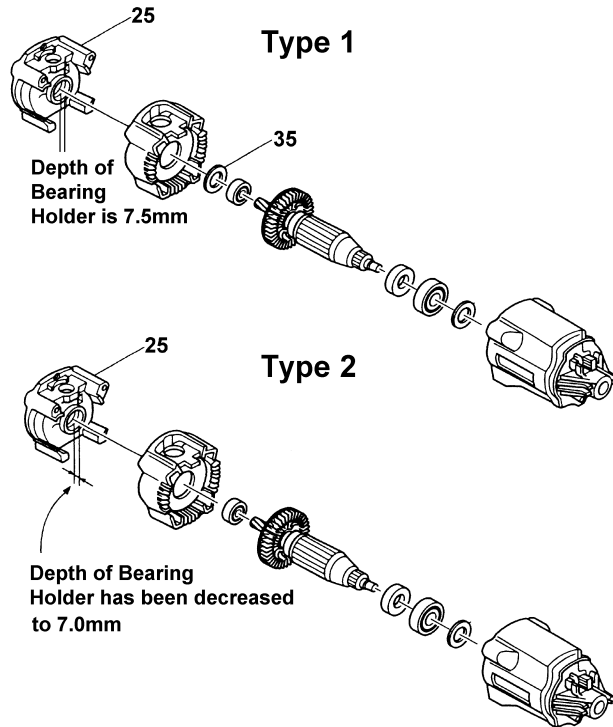
1. Change on Spindle, Steel Ball and Pin 4.



Item No.	Description	Type 1	Type 2
3	Spindle	322786-9	323854-1
18	Steel Ball	216018-3 (Size 5)	216001-0 (Size 3.5)
63	Pin 4	----	256251-5 (Added)
	Serial No.	~ 38634 E	38635E ~

Above parts are completely interchangeable as a set.

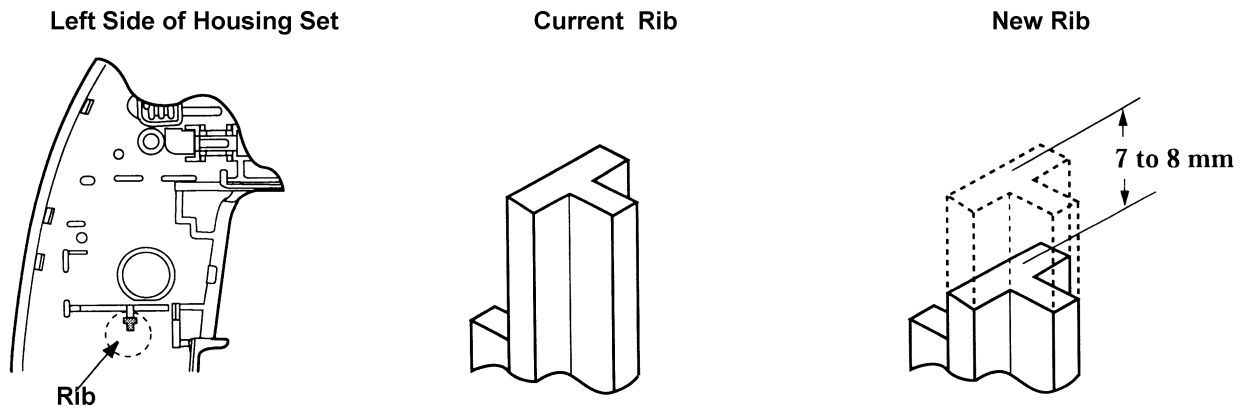
2. Change on Cam Housing Com.



Item No.	Description	Type 1	Type 2
25	Cam Hsg. Com.	159793-7(No Longer Available)	151764-0
35	Flat Washer 16	253707-9	-----
	Serial No.	N/A	N/A

Above parts are completely interchangeable as a set.
When replacing Cam Housing Com. Type 1 with Cam Hsg. Com Type 2 always remove the Item 35 on the Fan side of the Armature.

3. Change on Switch and Handle Set



The Rib encircled by the broken line has been shortened in height

Item No.	Description	Type 1	Type 2
53	Switch	651935-4	651986-7 (651987-5)
59	Handle Set	182724-1	
		Higher Higher Height	Lower Rib Height

Above parts are completely interchangeable as a set.
When installing the Type 2 Switch on the current Left Handle, be sure to cut the rib by 7.0 to 8.0mm.