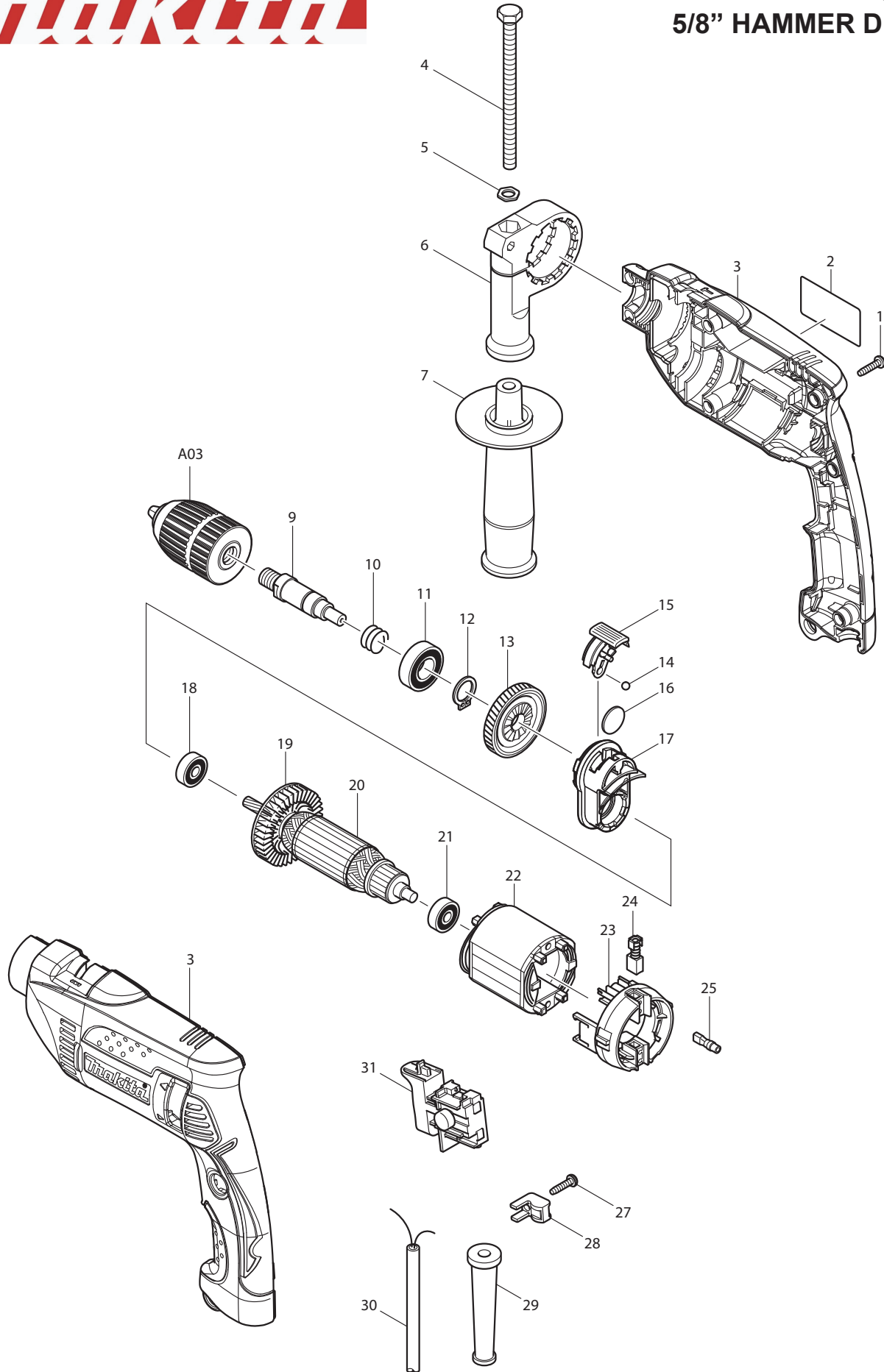




07 - 2008
HP1641K
5/8" HAMMER DRILL



Item No.	Type	Sub	Part No.	Description	Q'ty	Unit
1			265995-6	TAPPING SCREW 4X18	7	PC.
2			866006-6	HP1641 NAME PLATE	1	PC.
3			188611-2	HOUSING SET	1	SET
		INC.	345399-9	PLATE	2	PC.
4			921923-8	HEX. BOLT M8X120	1	PC.
5			345280-4	HEX. WASHER	1	PC.
6			417630-4	GRIP BASE	1	PC.
7			153503-4	GRIP 36 COMPLETE	1	PC.
9			324397-6	SPINDLE	1	PC.
10			233389-3	COMPRESSION SPRING 15	1	PC.
11			211201-7	BALL BEARING 6002LLB	1	PC.
12			961055-9	RETAINING RING S-15	1	PC.
13			226579-5	HELICAL GEAR 45	1	PC.
14			216018-3	STEEL BALL 5.0	1	PC.
15			418319-7	CHANGE LEVER	1	PC.
16			345354-1	PLATE 19	1	PC.
17			141165-0	CAM HOLDER COMPLETE	1	PC.
18			210023-2	BALL BEARING 627DDW	1	PC.
19			240067-8	FAN 55	1	PC.
20			517456-5	ARMATURE ASS'Y 115V	1	PC.
		INC.		Item No. 18,19,21		
21			211028-5	BALL BEARING 627LB	1	PC.
22			633566-1	FIELD 115V	1	PC.
23			638237-5	BRUSH HOLDER UNIT	1	PC.
24	1		191927-6	CARBON BRUSH CB-407, 2PCS/SET (W/O ORIGIN) - N/L/A	1	SET
	2		195007-0	CARBON BRUSH CB-407, 2PCS/SET (W/ ORIGIN)	1	SET
25			686038-5	RECEPTACLE SLEEVE	2	PC.
27			265995-6	TAPPING SCREW 4X18	1	PC.
28			687260-7	STRAIN RELIEF	1	PC.
29			682502-4	CORD GUARD 8-85	1	PC.
30			664064-4	CORD W/PLUG 2P-18-2.5M, SJ	1	PC.
31			650570-5	SWITCH TG843TB-2	1	PC.
100			654025-2	RECEPTACLE FS2.8B-1.25-5 (F/ FIELD)	2	PC.
102			654593-5	SPLICE (F/ SWITCH)	2	PC.

ACCESSORIES

- see catalogue or visit www.makita.ca for more accessories information -

A01			324219-0	DEPTH GAUGE	1	PC.
A02			824811-7	PLASTIC CARRYING CASE	1	PC.
A03	1		194073-4	1/2" KEYLESS DRILL CHUCK - PACKAGED	1	PC.
	2		196193-0	1/2" KEYLESS DRILL CHUCK	1	PC.
	Opt		192541-1	1/2" DRILL CHUCK (CONVENTIONAL) & KEY SET	1	PC.
A04			763440-0	CHUCK KEY	1	PC.
A05			765009-6	BLOW-OUT BULB	1	PC.
A07			135302-6	GRIP 36 ASSEMBLY	1	PC.
		INC.		Item No. 4 - 7		

SERVICE CHANGES

1. Changes on Keyless drill chuck

Item No.	Description	Type 1	Type 2
A03	Keyless drill chuck	194073-4	196193-0

(TI#A4396)

