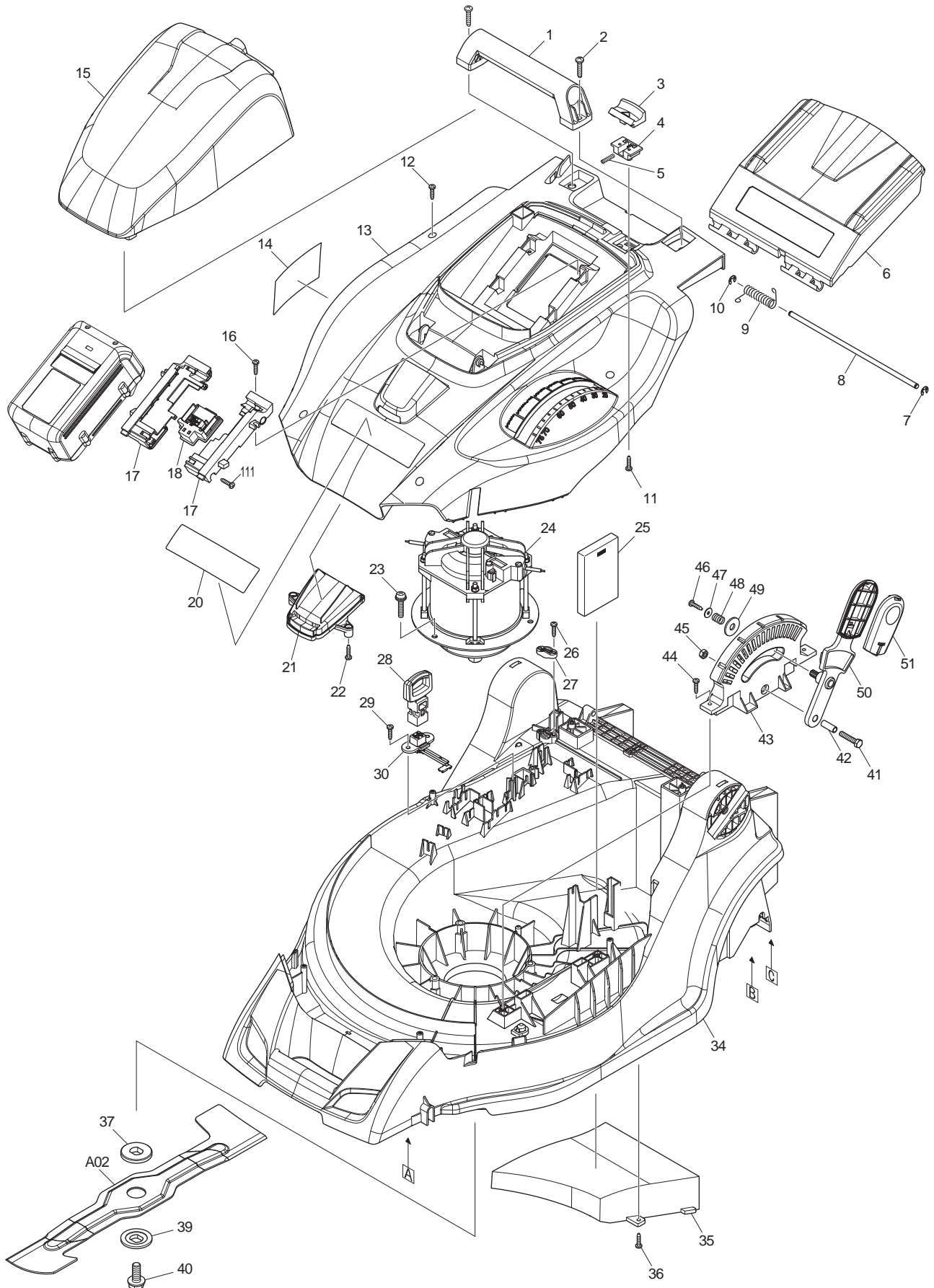
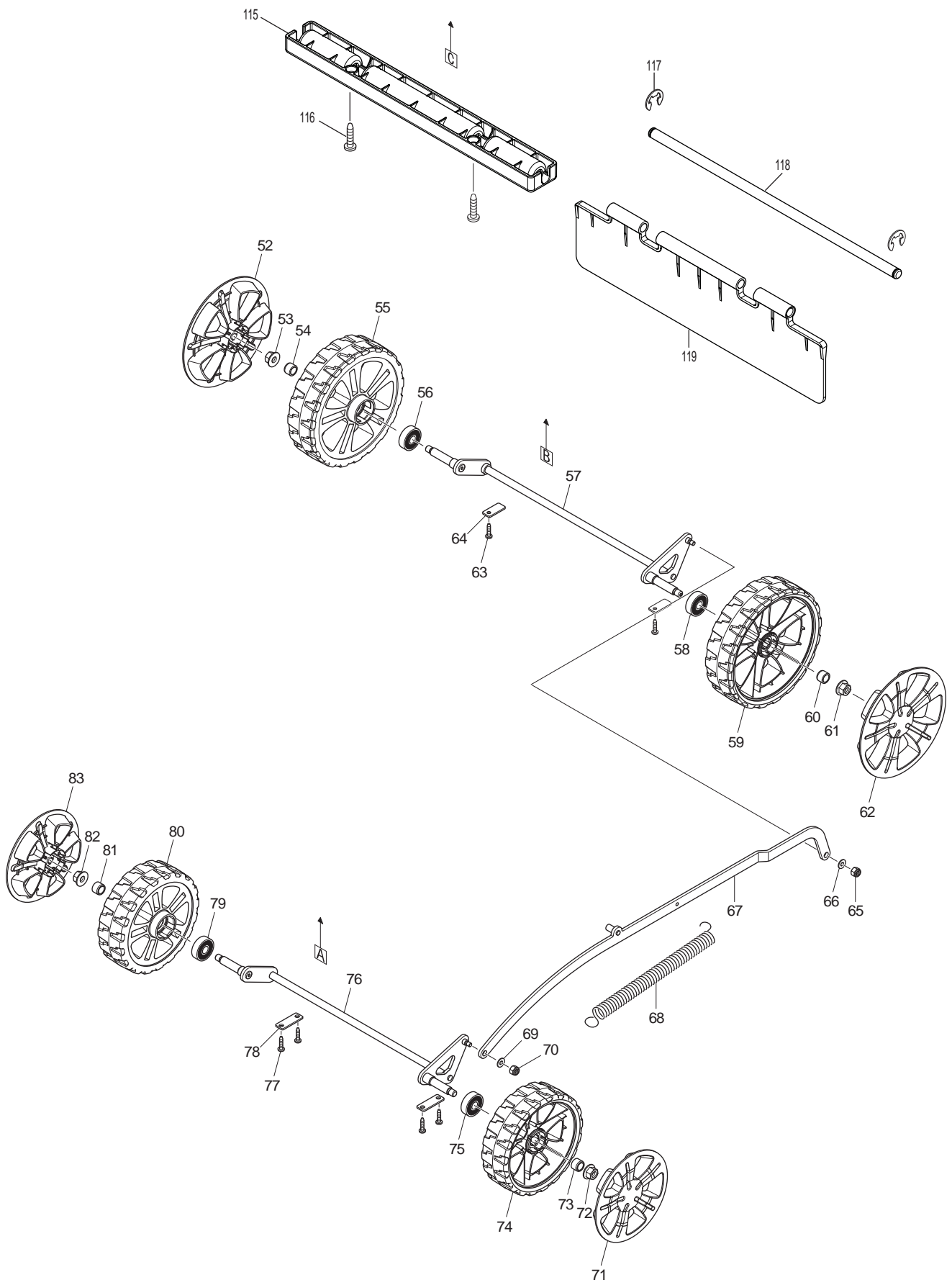


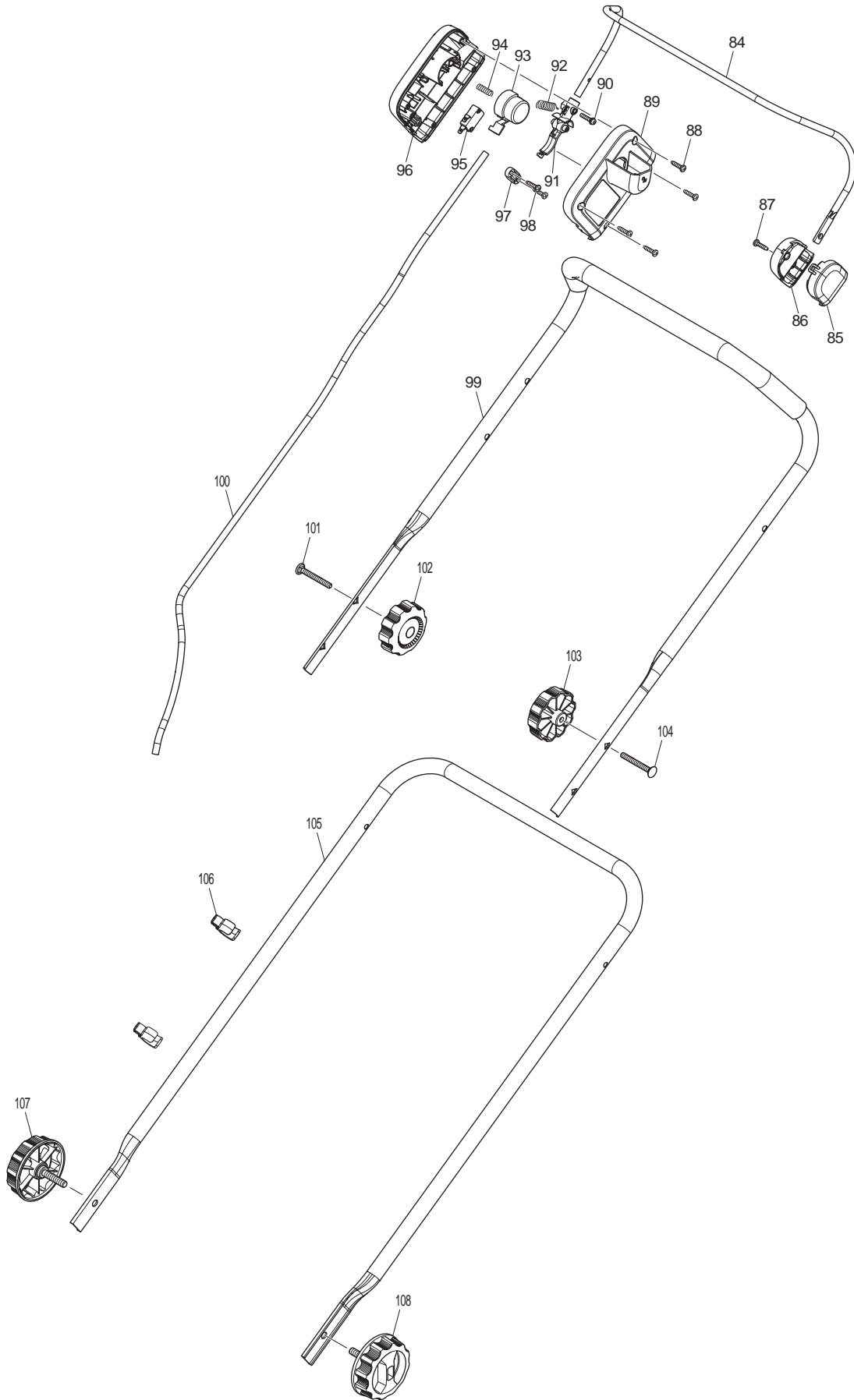


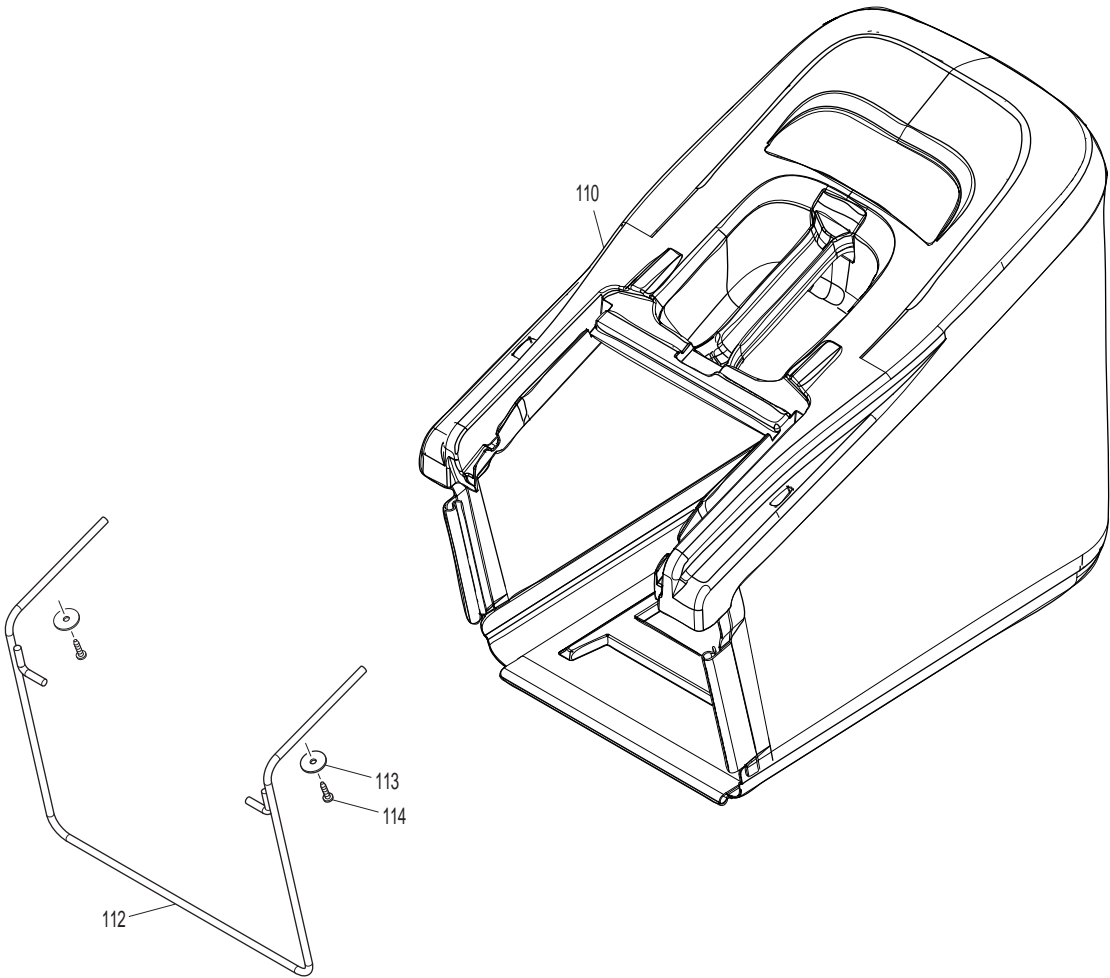
12 - 2013  
HML01ZX2

### 36V LAWN MOWER W/BATTERY CONVERTER









Item No.	Type	Sub	Part No.	Description	Qty	Unit
1			273675-0	GRIP A	1	PC.
2			266459-3	TAPPING SCREW 5X25	2	PC.
3			453250-0	LOCK LEVER	1	PC.
4			453251-8	LOCK LEVER SUPPORT	1	PC.
5			233173-6	COMPRESSION SPRING 4	1	PC.
6			141301-8	REAR FLAP COMPLETE	1	PC.
		INC.	890376-1	CAUTION LABEL EN/FR/SP	1	PC.
7			961018-5	STOP RING E-5	1	PC.
8			256871-5	ROD 6	1	PC.
9			233597-6	TORSION SPRING 8	1	PC.
10			961018-5	STOP RING E-5	1	PC.
11			266326-2	TAPPING SCREW 4X18	2	PC.
12			266326-2	TAPPING SCREW 4X18	4	PC.
13			141303-4	COWLING COMPLETE	1	PC.
		INC.	890378-7	CAUTION LABEL EN	1	PC.
14			896599-9	NAME PLATE F/HML01	1	PC.
15			141306-8	BATTERY COVER COMPLETE	1	PC.
		INC.	890381-8	CAUTION LABEL EN/FR/SP	1	PC.
16			266326-2	TAPPING SCREW 4X18	2	PC.
17			187254-7	TERMINAL HOUSING SET	1	PC.
18			643849-1	TERMINAL	1	PC.
20			890383-4	MAKITA LOGO LABEL	1	PC.
21			453258-4	COWLING COVER	1	PC.
22			266326-2	TAPPING SCREW 4X18	2	PC.
23			266774-5	+ PAN HEAD SCREW M6X30 WITH WR	3	PC.
24			629933-6	DC MOTOR	1	PC.
25			620084-8	CONTROLLER	1	PC.
26			266326-2	TAPPING SCREW 4X18	2	PC.
27			687123-7	STRAIN RELIEF	1	PC.
28			643890-4	KEY	1	PC.
29			266326-2	TAPPING SCREW 4X18	2	PC.
30			638946-6	LEAD UNIT	1	PC.
34	1	*	453234-8	DECK	1	PC.
	2	*	454662-0	DECK	1	PC.
35			453239-8	UNDER COVER	1	PC.
36			266326-2	TAPPING SCREW 4X18	3	PC.
37			224444-2	INNER FLANGE 40	1	PC.
39			224445-0	OUTER FLANGE 40	1	PC.
40			266731-3	HEX. BOLT M10X25	1	PC.
41			921352-5	HEX. BOLT M6X30	1	PC.
42			257670-8	SLEEVE 6	1	PC.
43			453255-0	ADJUST PLATE	1	PC.
44			266326-2	TAPPING SCREW 4X18	2	PC.
45			931302-2	HEX. NUT M6	1	PC.
46			266326-2	TAPPING SCREW 4X18	1	PC.
47			267102-7	FLAT WASHER 4	1	PC.
48			231297-2	COMPRESSION SPRING 9	1	PC.
49			253808-3	FLAT WASHER 9	1	PC.
50			453252-6	CHANGE LEVER	1	PC.
51			453253-4	CHANGE LEVER COVER	1	PC.
52			453241-1	REAR WHEEL CAP	1	PC.
53			252145-2	COLLARED HEX NUT M8	1	PC.
54			214067-4	PLANE BEARING 10	1	PC.
55			453243-7	REAR WHEEL	1	PC.
56			210070-3	BALL BEARING 6200ZZ	1	PC.
57			165669-8	REAR SHAFT	1	PC.
58			210070-3	BALL BEARING 6200ZZ	1	PC.

Item No.	Type	Sub	Part No.	Description	Qty	Unit
59			453243-7	REAR WHEEL	1	PC.
60			214067-4	PLANE BEARING 10	1	PC.
61			252145-2	COLLARED HEX NUT M8	1	PC.
62			453241-1	REAR WHEEL CAP	1	PC.
63			266326-2	TAPPING SCREW 4X18	2	PC.
64			346545-7	PLATE	2	PC.
65			252103-8	HEX. LOCK NUT M5-8	1	PC.
66			941101-4	FLAT WASHER 5	1	PC.
67			346543-1	CONNECTING ROD	1	PC.
68			231875-8	TENSION SPRING 16	1	PC.
69			941101-4	FLAT WASHER 5	1	PC.
70			252103-8	HEX. LOCK NUT M5-8	1	PC.
71			453240-3	FRONT WHEEL CAP	1	PC.
72			252145-2	COLLARED HEX NUT M8	1	PC.
73			214067-4	PLANE BEARING 10	1	PC.
74			453242-9	FRONT WHEEL	1	PC.
75			210070-3	BALL BEARING 6200ZZ	1	PC.
76			165668-0	FRONT SHAFT	1	PC.
77			266326-2	TAPPING SCREW 4X18	4	PC.
78			341462-6	PLATE	2	PC.
79			210070-3	BALL BEARING 6200ZZ	1	PC.
80			453242-9	FRONT WHEEL	1	PC.
81			214067-4	PLANE BEARING 10	1	PC.
82			252145-2	COLLARED HEX NUT M8	1	PC.
83			453240-3	FRONT WHEEL CAP	1	PC.
84			331975-5	SWITCH LEVER	1	PC.
85			453246-1	SWITCH LEVER CASE	1	PC.
86			453247-9	SWITCH LEVER CASE COVER	1	PC.
87			266326-2	TAPPING SCREW 4X18	1	PC.
88			266326-2	TAPPING SCREW 4X18	4	PC.
89			141298-1	SWITCH BOX COVER COMPLETE	1	PC.
		INC.	890374-5	INDICATION LABEL (PICTURE)	1	PC.
90			911138-5	PAN HEAD SCREW M4X20	1	PC.
91			453248-7	LEVER	1	PC.
92			231876-6	TENSION SPRING 9	1	PC.
93			453249-5	SWITCH BUTTON	1	PC.
94			233068-3	COMPRESSION SPRING 6	1	PC.
95			650681-6	SWITCH D3V-16-3A5	1	PC.
96			453244-5	SWITCH BOX	1	PC.
97			687123-7	STRAIN RELIEF	1	PC.
98			266326-2	TAPPING SCREW 4X18	2	PC.
99			141299-9	UPPER PIPE COMPLETE	1	PC.
100			664780-8	CORD W/PLUG 2P-18-1.2M SJTW	1	PC.
101			266730-5	CUP H. SQUARE NECK BOLT M6X50	1	PC.
102			264070-5	THUMB NUT M6	1	PC.
103			264070-5	THUMB NUT M6	1	PC.
104			266730-5	CUP H. SQUARE NECK BOLT M6X50	1	PC.
105			331973-9	LOWER PIPE	1	PC.
106			453385-7	HOLDER 9-19	2	PC.
107			266729-0	THUMB SCREW M8X35	1	PC.
108			266729-0	THUMB SCREW M8X35	1	PC.
110	1		141549-2	* REAR BAG COMPLETE	1	PC.
		INC.	890379-5	* CAUTION LABEL	1	PC.
	2		142309-5	* REAR BAG COMPLETE	1	PC.
		INC.	890379-5	* CAUTION LABEL	1	PC.
111			266326-2	TAPPING SCREW 4X18	2	PC.
112			326118-2	REAR BAG ROD	1	PC.

Item No.	Type	Sub	Part No.	Description	Qty	Unit
113			267438-4	FLAT WASHER 5	2	PC.
114			266326-2	TAPPING SCREW 4X18	2	PC.
115			453257-6	PROTECTIVE SHIELD HOLDER	1	PC.
116			266326-2	TAPPING SCREW 4X18	2	PC.
117			961013-5	STOP RING E-7	2	PC.
118			256872-3	ROD 8	1	PC.
119			424481-8	PROTECTIVE SHIELD	1	PC.
C01			872807-2	CARTON F/HML02ZX2	1	PC.
D01			654069-2	RECEPTACLE	2	PC.
D02			654509-0	CONNECTOR 2-SD	2	PC.
D03			654510-5	INSULATED CONNECTOR 5.5-SD	3	PC.

**ACCESSORIES**

A01			782210-8	SOCKET WRENCH 17	1	PC.
A02			196061-7	BLADE 430 SET	1	PC.
A03	1		195850-7	BATTERY CONVERTER BCV02	1	PC.
	2		196810-2	BATTERY CONVERTER BCV03	1	PC.
A04			194874-0	36V LI-ION BATTERY BL3626	1	PC.
A05			DC36RA	CHARGER DC36RA	1	PC.