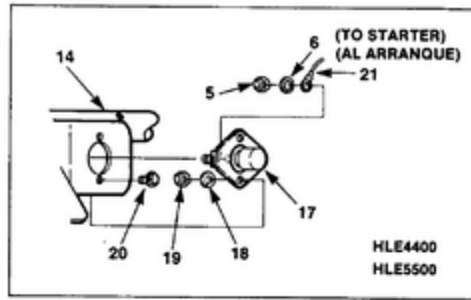
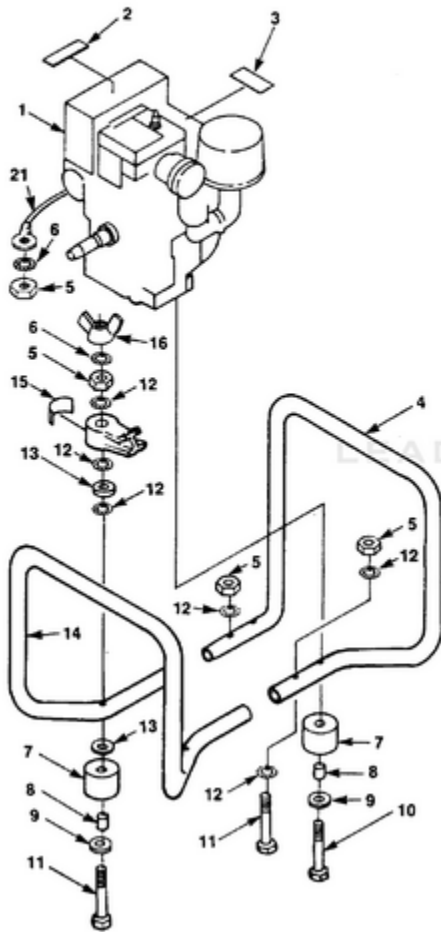


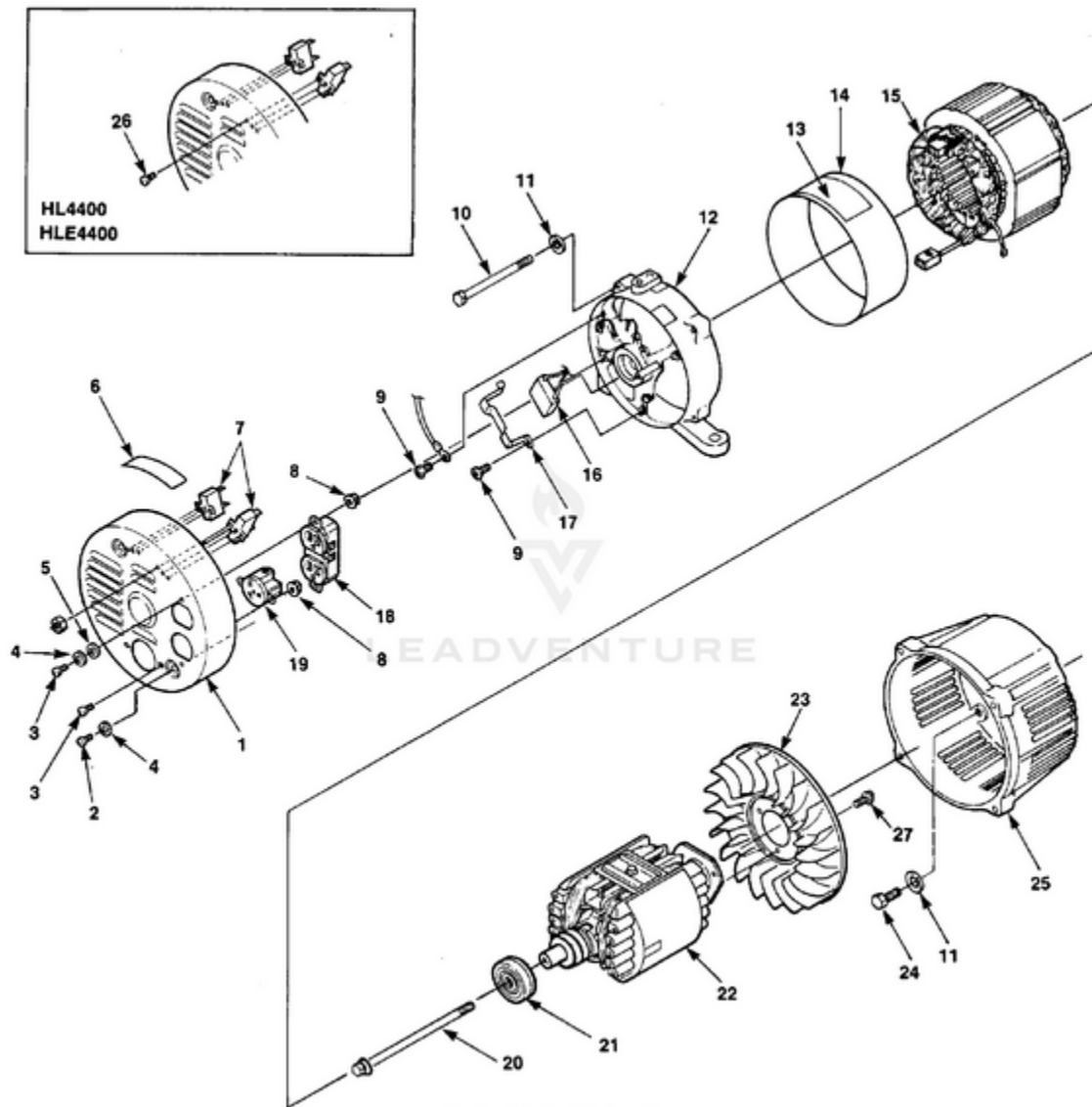
HLE4400 Generator UT-03683 - Engine & Frame



Rendered by LeadVenture, Inc.

Ref #	Part #	Description	Qty	Context Note
1		ENGINE	1	For engine replacement parts locate the engine brand name, model number, and type number and consult the appropriate dealer in your area.
2	49613	DECAL- Warning	1	
3	49598	DECAL- Caution	1	
4	020451	MEMBER- Frame (Engine)	1	
5	81162	NUT- Hex (5/16-18)	7	
6	83081	WASHER- Locking (5/16")	2	
7	48789	FOOT	4	
8	49733	SPACER- Foot	4	
9	84046	WASHER- Flat (5/16")	4	
10	82529	SCREW- Cap hex hd (Gen & Carburetor Side)	2	
	82530	SCREW- Cap hex hd. (Engine Side)	2	
11	JA400200	BOLT- Engine (Rear)	2	
12	83033	WASHER- Lock ext./int.	13	
13	84058	WASHER- Flat (5/16")	4	
14	A021631	MEMBER & STARTER BRACKET	1	
15	49490	DECAL- Ground	1	
16	81015	NUT- Wing- (5/16-18)	1	
17	49705	SWITCH- Starter	1	
18	83009	WASHER	2	
19	81242	NUT	2	
20	82477	SCREW- Hex hd	2	
21	JA376123	CABLE	1	

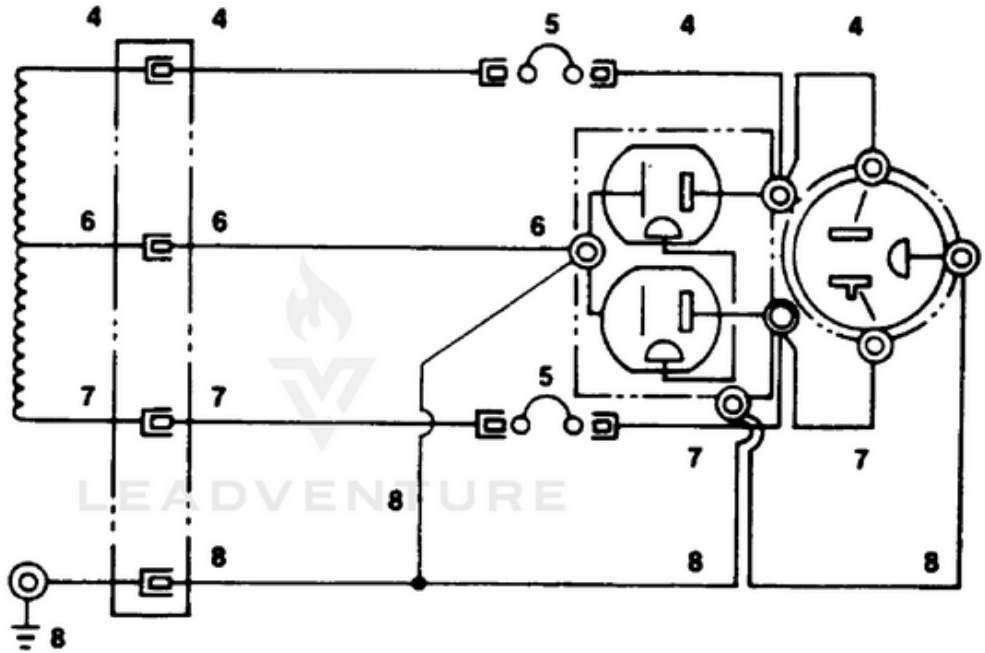
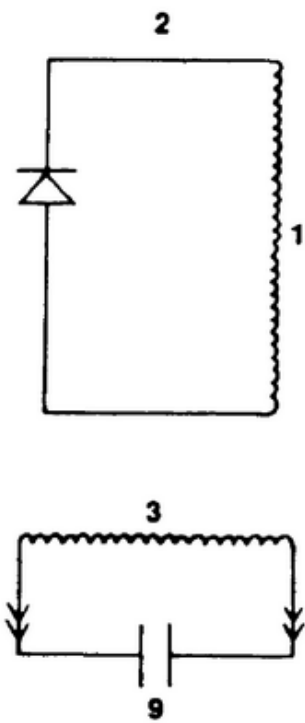
# HLE4400 Generator UT-03683 - Generator



Rendered by LeadVenture, Inc.

<b>Ref #</b>	<b>Part #</b>	<b>Description</b>	<b>Qty</b>	<b>Context Note</b>
1	0120928	END COVER	1	
2	0078216	BOLT- End cover	2	
3	80260	SCREW- Rd. hd.	2	
4	83022	WASHER- Lock	4	
5	84111	WASHER- Flat	4	
6	49495	DECAL- Warning	1	
7	49801	BREAKER- Circuit (20 amp)	1	
8	81009	NUT- Hex	2	
9	0120911	SCREW- (M5 x 12mm)	3	
10	0078209	BOLT- Stator	1	
11	83018	WASHER- Lock	1	
12	0120926	END- Bell	1	
13	49706	DECAL- Output	1	
14	0120923	COVER- Stator	1	
15	0120922	STATOR	1	
16	0078245	CAPACITOR	1	
17	0078246	CAPACITOR HOLDER	1	
18	50991	RECEPTACLE (120v)	1	
19	49708	RECEPTACLE (240v)	1	
20	0120925	BOLT- Rotor	1	
21	0078205	BEARING- Ball	1	
22	0120924	ROTOR	1	
23	0078218	FAN	1	
24	JA400264	SCREW- Hex hd. (3/8-16 x 1 1/4")	1	
25	0120921	ADAPTOR	1	
26	88170	SCREW- Fillister hd.	4	
27	0078214	SCREW- Hex tapping (M5 x 14mm)	4	

HLE4400 Generator UT-03683 - Wiring Diagram



Rendered by LeadVenture, Inc.

<b>Ref #</b>	<b>Part #</b>	<b>Description</b>	<b>Qty</b>	<b>Context Note</b>
1		Main Coil	1	
2		Field Coil	1	
3		Coil Condenser	1	
4		Red	1	
5		Circuit Protector	1	
6		White	1	
7		Blue	1	
8		Ground	1	
9		Condenser	1	