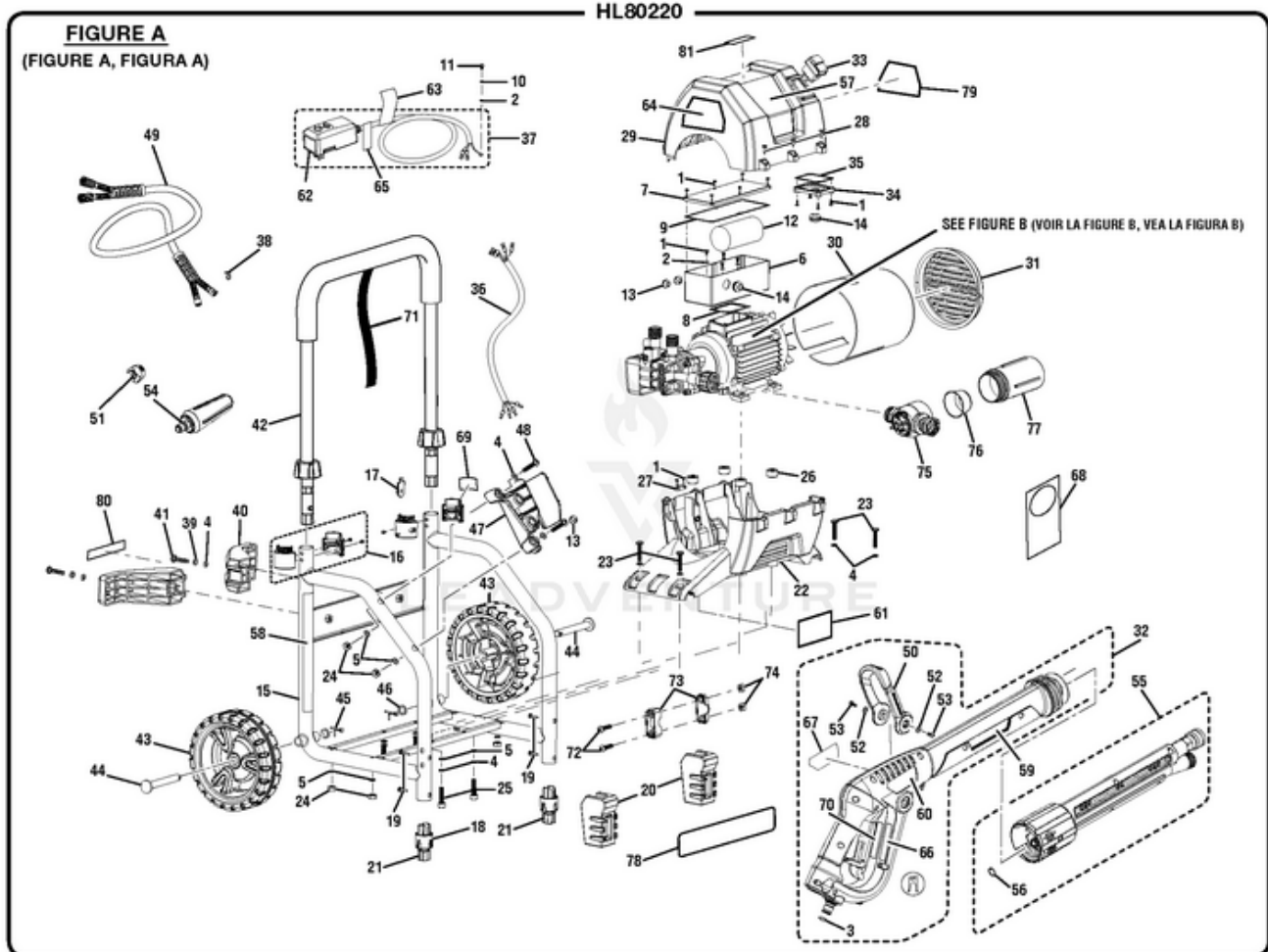


HL80220 Electric Pressure Washer - Figure A



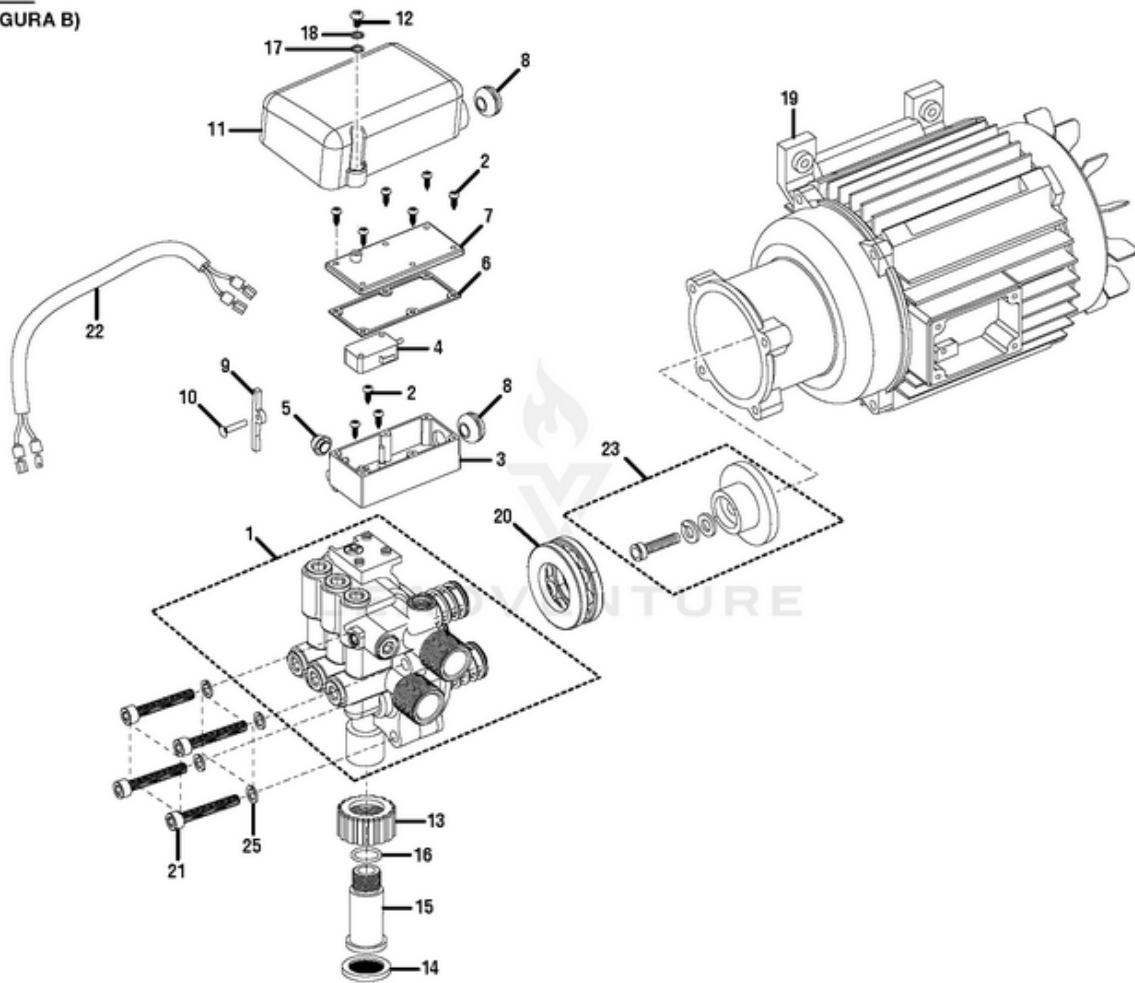
Ref #	Part #	Description	Qty
1	661425002	Screw (M10)	16
2	678600006	Washer (M4)	6
3	570768001	O-ring	1
4	678823002	Lock Washer (M6)	12
5	678370006	Washer (M6)	10
6	290429011	Electrical Box	1
7	519707003	Electrical Box Cover	1
8	570740017	Upper Electrical Box Gasket	1
9	290403015	Lower Electrical Box Gasket	1
10	678600007	Lock Washer (M4)	1
11	661610005	Screw (M4 x 6 mm)	1
12	820270003	Capacitor	1
13	561383008	Grommet	3
14	561383009	Grommet	2
15	308582023	Frame (w/Label)	1
16	308638024	Handle Clamp Assembly	2
17	308910004	Handle Release Button	1
18	308909009	Foot	2
19	661610004	Screw (M4 x 18 mm)	4
20	570355004	Foot Cover	2
21	570554008	Foot Pad	2
22	522038001	Lower Housing (w/Label)	1
23	660481014	Screw (M6 x 40 mm)	4
24	678460007	Lock Nut (M6)	6
25	660481012	Screw (M6 x 35 mm)	4
26	638791001	Motor Pad	4
27	67819004	Cord Clamp	1
28	661610002	Screw (M3.5 x 20 mm)	6
29	522032002	Upper Housing (w/Labels)	1
30	519832006	Baffle	1
31	522039001	Vent Cover	1
32	310425001	Trigger Housing Assembly (w/Labels)	1
33	760504005	Switch	1
34	570417002	Switch Cover	1
35	570740016	Switch Cover Gasket	1
36	290493002	Wiring Harness	1
37	290426005	Power Cord Assembly	1
38	519858002	Low Pressure Hose Clip	1
39	678823002	Washer	2
40	522037001	Cord Wrap Arm	2
41	660481011	Screw (M6 x 16 mm)	2
42	308790024	Handle Assembly	1
43	308451020	Wheel	2
44	620599013	Axle	2
45	678522012	Pin	2

Ref #	Part #	Description	Qty
46	638275003	Washer	2
47	518955003	Wand Holder Assembly	1
48	660481013	Screw (M6 x 38)	2
49	308835028	Hose Assembly	1
50	519819002	Low Pressure Trigger	1
51	308246004	High Pressure Nozzle	1
52	678370007	Washer (M6)	2
53	661425001	Screw (M2.9 x 20 mm)	2
54	308311008	Turbo Nozzle	1
55	308494031	Lance Assembly	1
56	120442002	O-ring	1
57	940779032	Performance Label	1
58	940620007	Quick Start Label	1
59	940870001	HydroSurge Trigger Handle Label	1
60	940324007	Trigger Handle Logo Label	1
61	940678129	Data Label	1
62	940971051	GFCI Reset Label	1
63	940324013	Warning Label (UL)	1
64	940707009	Danger Label	1
65	940604001	California Proposition 65 Label	1
66	940779008	Trigger Handle Specifications Label	1
67	940324005	Trigger Handle Warning Label	1
68	940971052	G-Clean Hang Tag	1
69	940758010	Handle Release Label	1
70	940654087	Wand Warning Label (FR/SP)	1
71	310765003	Hose Strap	1
72	661426001	Clamp screw	1
73	678890001	G-Clean Clamp	1
74	678891001	Clamp nut	1
75	309024005	G-Clean Assembly	1
76	678981001	Mesh Filter	1
77	519840004	Detergent Container	1
78	940869001	Front Panel Label	1
79	940707027	Danger (FR)	1
80	940604005	Homelite Inquires Label	1
81	940324014	Hydrosurge Label	1
	987000904	Operator's Manual	1
	987000906	Assembly Guide	1

HL80220 Electric Pressure Washer - Figure B

HL80220

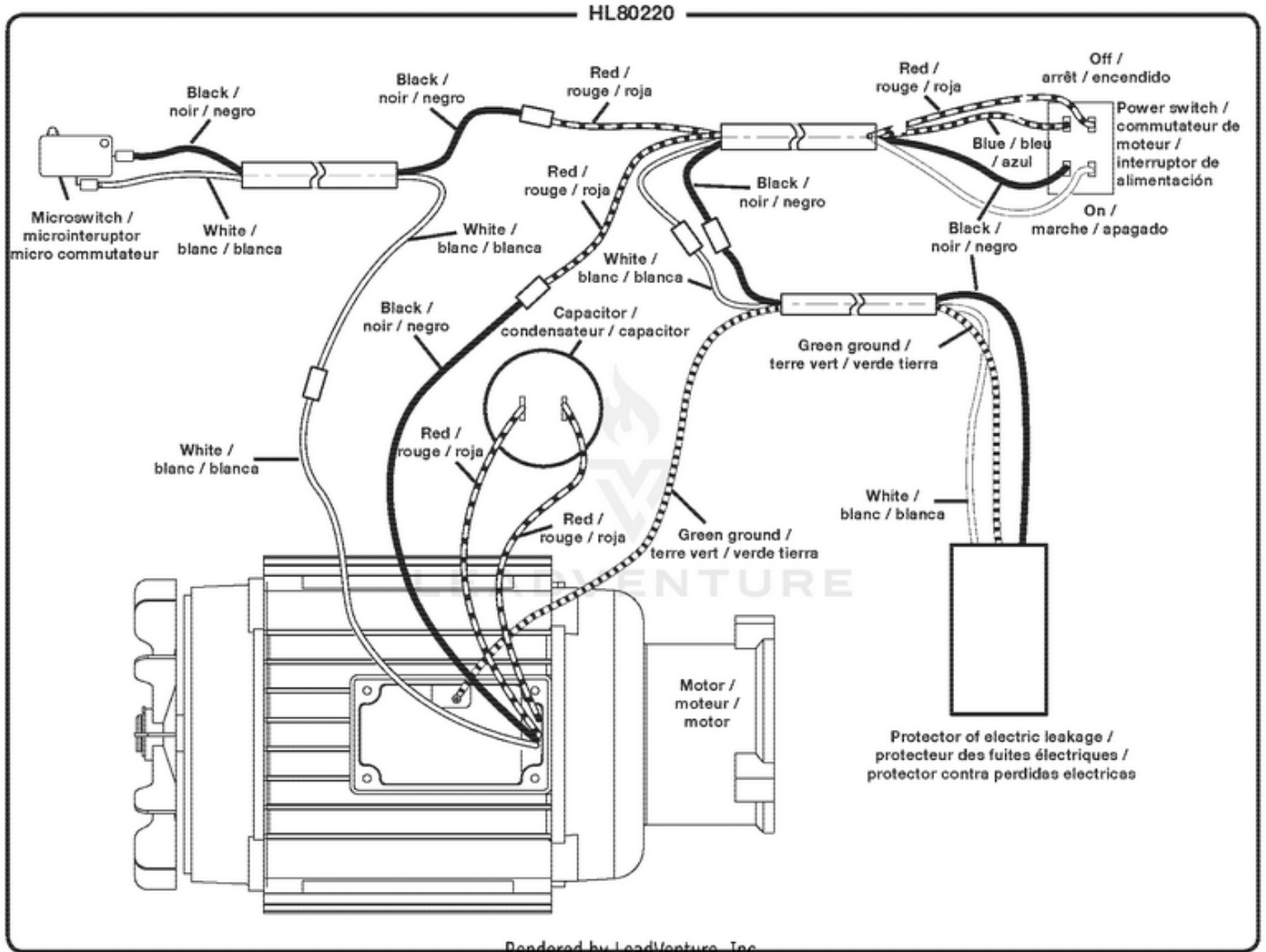
FIGURE B
(FIGURE B, FIGURA B)



Rendered by LeadVenture, Inc.

Ref #	Part #	Description	Qty
1	308653024	Pump Assembly	1
2	661425002	Screw (M2.9 x 10 mm)	9
3	522040001	Switch Box	1
4	270290003	Stop Switch	1
5	570769001	Switch Box Seal	1
6	570740015	Switch Box Gasket	1
7	519813007	Switch Box Cover	1
8	561383007	Grommet	2
9	522041001	Stop Switch Lever	1
10	522042001	Stop Switch Lever Pin	1
11	34110301G	Stop Switch Protective Cover	1
12	661610003	Screw (M4 x 10 mm)	1
13	310423001	Hose Connector	1
14	308103006	Inlet Filter	1
15	310422001	Hose Adaptor	1
16	570768002	O-Ring	1
17	678600006	Washer	1
18	638678007	Lock Washer	1
19	310424001	Induction Motor Assembly	1
20	678289009	Bearing	1
21	660481015	Screws (M6 x 45 mm)	4
22	290493003	Stop Switch Wiring Harness Assembly	1
23	310426001	Wobble Plate w/Screw	1
24	678823002	Lock Washer (M6)	4

HL80220 Electric Pressure Washer - Wiring Diagram



Rendered by LeadVenture, Inc.