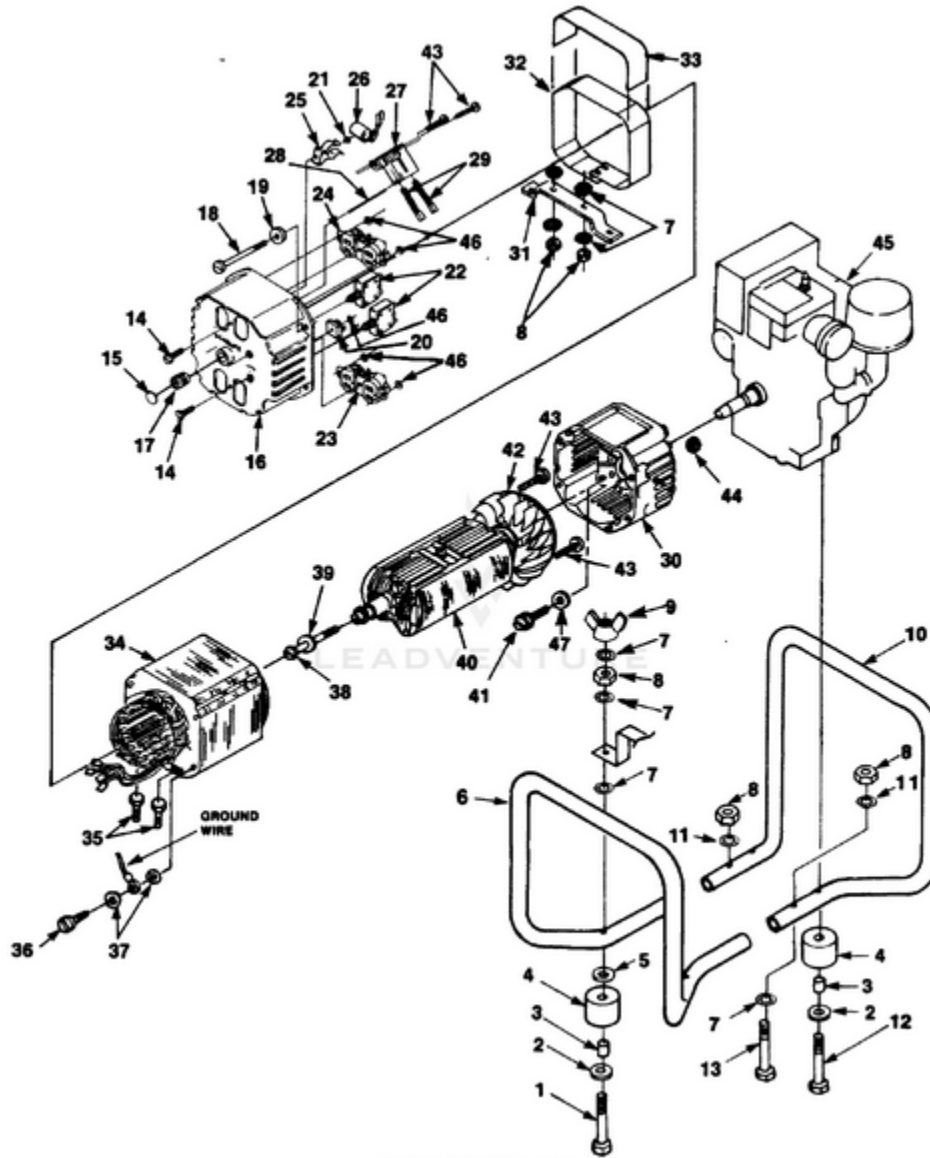


HL5500 Generator UT-03699 - Generator

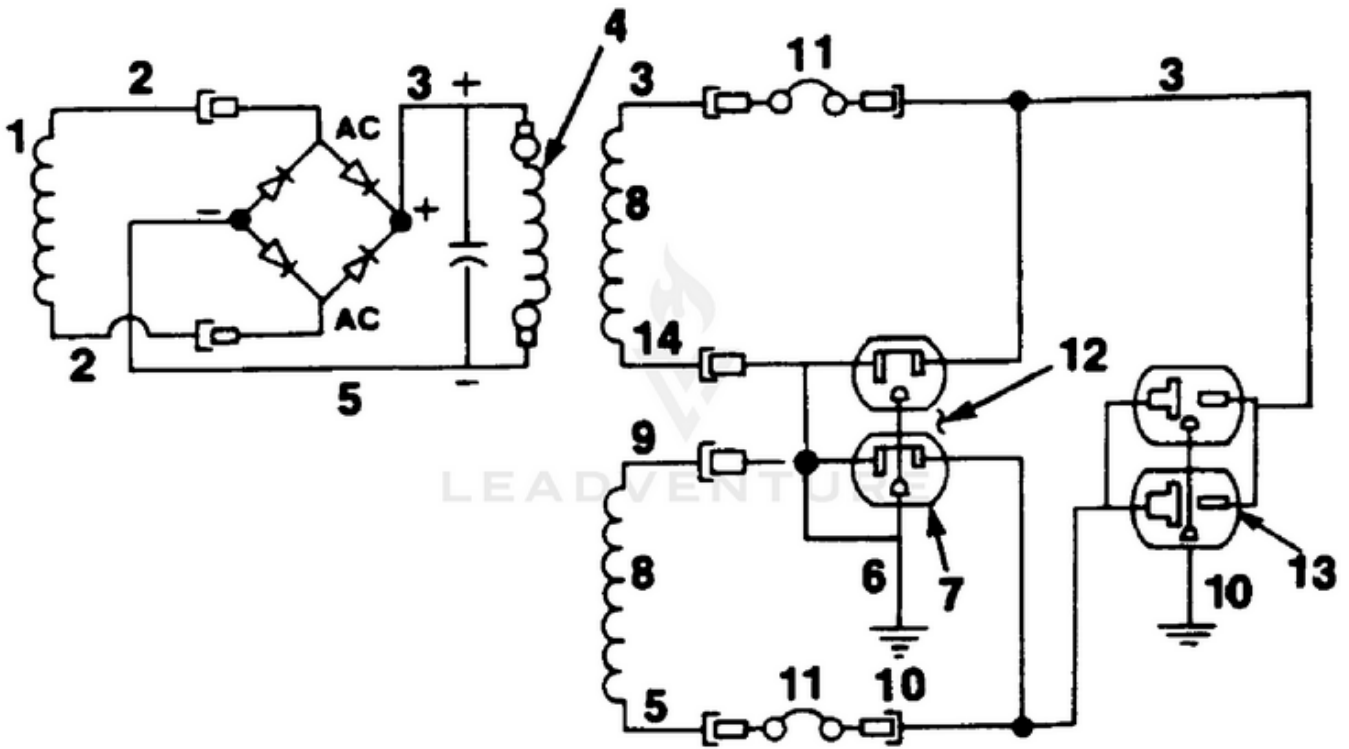


<b>Ref #</b>	<b>Part #</b>	<b>Description</b>	<b>Qty</b>	<b>Context Note</b>
1	80089	SCREW	4	
2	84046	WASHER- Flat (5/16")	4	
3	49733	SPACER- Foot	4	
4	48789	FOOT	4	
5	84058	WASHER- Flat (5/16")	6	
6	028431	MEMBER- Frame (gen. end)	1	
7	83033	WASHER- Lock (ext./Int.)	8	
8	81162	NUT- Hex (5/16-18)	8	
9	81015	NUT- Wing	1	
10	028421	MEMBER- Frame (eng. end)	1	
11	83081	WASHER- Lock (Int.)	5	
12	82530	SCREW- (5/16 x 3 1/4")	2	
13	JA400200	SCREW	1	
14	80630	SCREW- Mach. pan hd.	2	
15	02438	PLUG- Expansion	1	
16	023621	BRUSH HEAD	1	
17	03044	BEARING- Needle	1	
18	4885301	BOLT- Stator	4	
19	84124	WASHER- Flat	4	
20	95672	RECTIFIER	1	
21	02436	WASHER- Shaft retention	1	
22	02511	BREAKER- Circuit (25 amp.)	2	
23	02863	RECEPTACLE- (240 V) (Nema 6-20R)	1	
24	50991	RECEPTACLE- Duplex(Nema 5-15R)	1	
25	02435	CLIP-Spring cap	1	
26	A02860	CAPACITOR (w/ Lead)	1	
27	02365	BRUSH HOLDER	1	
	A03035	BRUSH & RETAINER KIT	1	
28	02857	PIN- Retaining	1	

<b>Ref #</b>	<b>Part #</b>	<b>Description</b>	<b>Qty</b>	<b>Context Note</b>
29	02664	BRUSH	2	
30	020267	BELL- End	1	
31	028451	BRACKET- Generator support	1	
32	028761	WRAPPER- Stator	1	
33	02983	DECAL- Warning	1	
34	A02433S	STATOR	1	
35	80083	SCREW- 5/16-18 x 3/4"	2	
36	82538	SCREW	1	
37	83121	WASHER- Lock (int./ext)	2	
38	4885214	BOLT- Rotor	1	
39	03433	WASHER	1	
40	A02430AS	ROTOR	1	
41	80187	SCREW-(3/8-16 x 7/8")	4	
42	A04013	FAN- Generator	1	
43	82526	SCREW- Pan hd.	4	
44	81267	NUT- Hex	4	
45		ENGINE	1	For engine replacement parts locate the engine brand name model number, and type number and consult the appropriate dealer in your area.
46	02437	WASHER- Shaft retention	5	
47	83078	WASHER- Lock (3/8")	4	



HL5500 Generator UT-03699 - Wiring Diagram



Rendered by LeadVenture, Inc.

<b>Ref #</b>	<b>Part #</b>	<b>Description</b>	<b>Qty</b>	<b>Context Note</b>
1		QUAD COIL	1	
2		YELLOW	1	
3		RED	1	
4		FIELD COIL	1	
5		BLACK	1	
6		GREEN	1	
7		RECEPTACLE (120V)	1	
8		MAIN COIL (120V)	1	
9		WHITE	1	
10		GROUND	1	
11		CIRCUIT BREAKER	1	
12		TAB BROKEN	1	
13		RECEPTACLE (240V)	1	
14		BROWN	1	