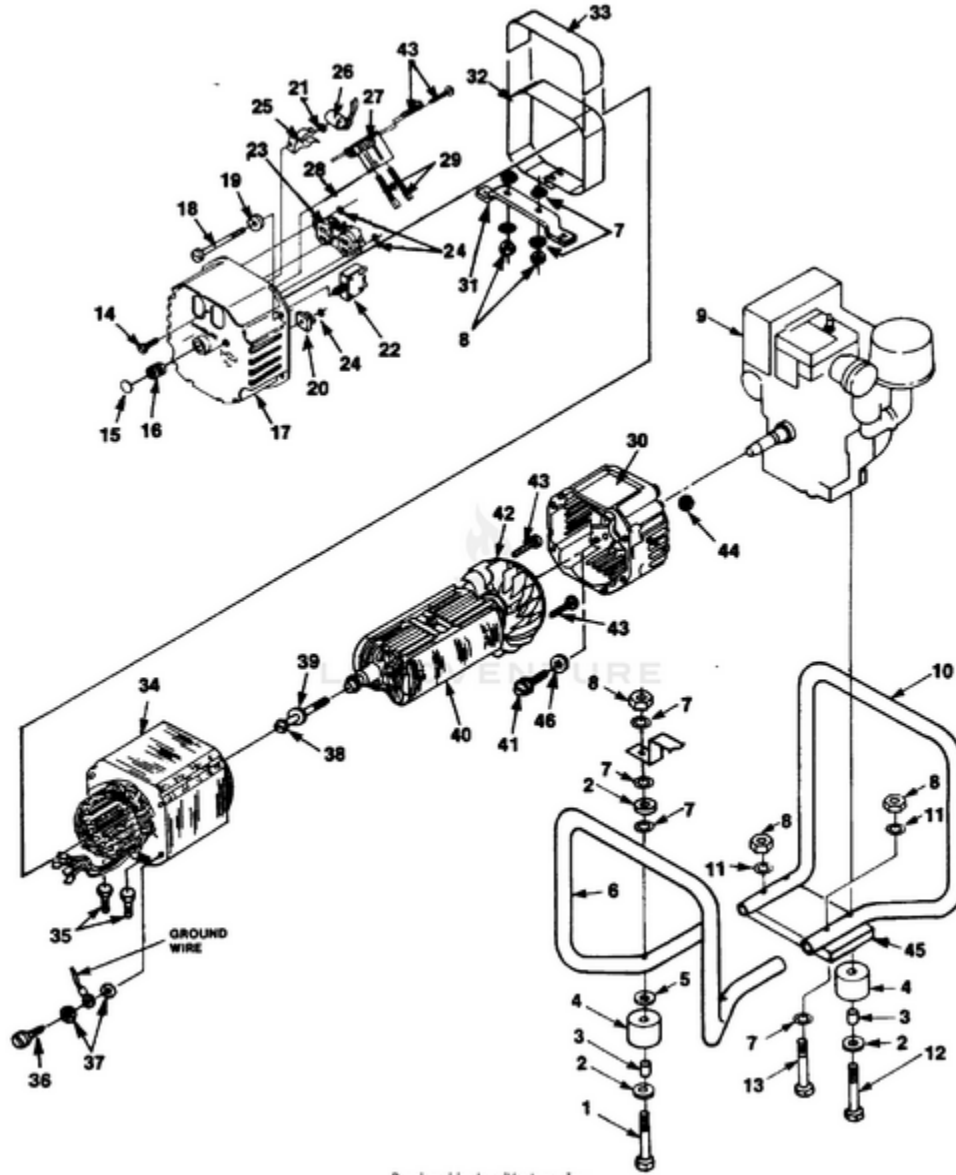


HL2500 Generator UT-03697 - Generator

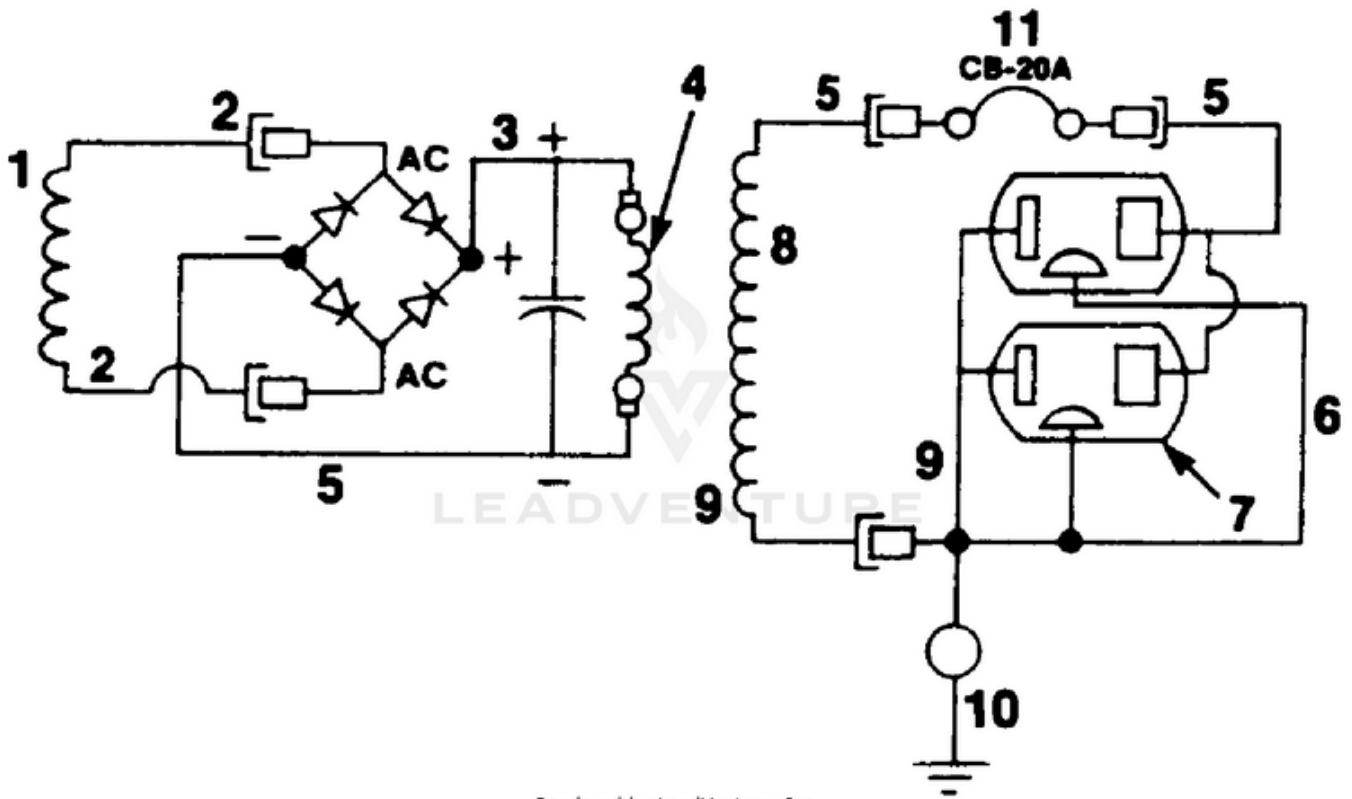


Rendered by LeadVenture, Inc.

Ref #	Part #	Description	Qty	Context Note
1	80089	SCREW	2	
2	84046	WASHER- Flat (5/16")	4	
3	49733	SPACER- Foot	4	
4	48789	FOOT	4	
5	84058	WASHER- Flat (5/16")	2	
6	028671	MEMBER- Frame (gen. end)	1	
7	83033	WASHER- Lock (ext./Int.)	8	
8	81162	NUT- Hex (5/16-18)	9	
9		ENGINE	1	For engine replacement parts locate the engine brand name model number, and type number and consult the appropriate dealer in your area.
10	028661	MEMBER- Frame (eng. end)	1	
11	83081	WASHER- Lock (Int.)	9	
12	82530	SCREW- (5/16 x 3 1/4")	2	
13	JA400200	SCREW	2	
14	80630	SCREW- Mach. pan hd.	1	
15	02438	PLUG- Expansion	1	
16	03044	BEARING- Needle	1	
17	023622	BRUSH HEAD	1	
18	4885305	BOLT- Stator	4	
19	84124	WASHER- Flat	4	
20	95672	RECTIFIER	1	
21	02436	WASHER- Shaft retention	1	
22	49831	BREAKER- Circuit (20 amp.)	1	
23	50991	RECEPTACLE- Duplex (Nema 5-15R)	1	
24	02437	WASHER- Shaft Retention	3	
25	02435	CLIP- Spring cap	1	
26	A02860	CAPACITOR (w/ Lead)	1	
27	02365	BRUSH HOLDER	1	

Ref #	Part #	Description	Qty	Context Note
	A03035	BRUSH & RETAINER KIT	1	
28	02857	PIN	1	
29	02664	BRUSH	2	
30	020267	BELL- End	1	
31	028441	BRACKET- Generator support	1	
32	028741	WRAPPER- Stator	1	
33	02981	DECAL- Warning	1	
34	A02431S	STATOR	1	
35	80083	SCREW- 5/16-18 x 3/4"	2	
36	82538	SCREW	1	
37	83121	WASHER- Lock (int./ext)	2	
38	4885212	BOLT- Rotor	1	
39	03433	WASHER	1	
40	A02428AS	ROTOR	1	
41	80604	SCREW	4	
42	A04013	FAN- Generator	1	
43	82526	SCREW- Pan hd.	4	
44	81267	NUT- Hex	4	
45	498421	PLATE- Frame	1	
46	83078	WASHER- Lock	4	

HL2500 Generator UT-03697 - Wiring Diagram



Rendered by LeadVenture, Inc.