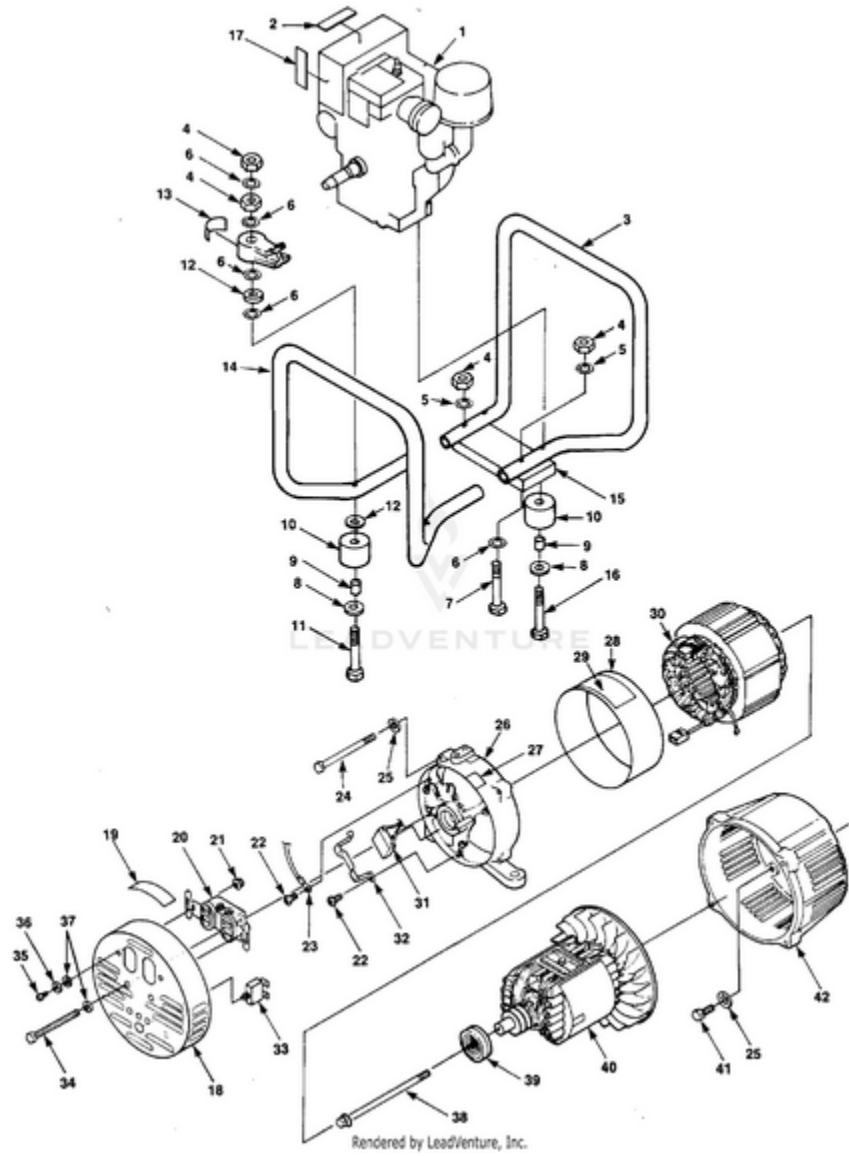


# HL2500 Generator UT-03681 - Generator & Frame

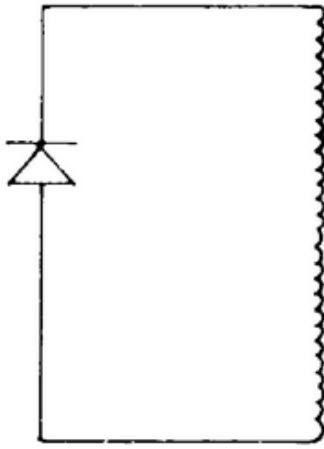


Ref #	Part #	Description	Qty	Context Note
1		ENGINE (EH2500)	1	For engine replacement parts locate the engine brand name, model number, and type number and consult the appropriate dealer in your area.
2	49613	DECAL- Warning	1	
3	020271	MEMBER- Frame	1	(Engine)
4	81162	NUT- Hex (5/16-18)	7	
5	83081	WASHER- Lock int. (5/16")	2	
6	83033	WASHER- Lock ext./int.	15	
7	JA400200	BOLT- Engine (rear)	2	
8	84046	WASHER- Flat (5/16")	4	
9	49733	SPACER- Foot	4	
10	48789	FOOT	4	
11	JA400204	SCREW- Cap hex. hd. (5/16-18 x 3")	2	
12	84058	WASHER- Flat (5/16")	6	
13	49490	DECAL- Ground	1	
14	020281	FRAME- Member	1	(generator)
15	498421	PLATE- Frame	1	
16	82530	BOLT- Engine (front)	2	
17	49598	DECAL- Caution	1	
18	0120920	END COVER	1	
19	49495	DECAL- Warning	1	
20	50991	RECEPTACLE (120V) (HL2500)	1	
21	81009	NUT- (120V receptacle)	2	
22	0120911	SCREW- (m5 x 12mm)	3	(brush holder)
23	A47610	LEAD- Electrical	1	(ground)
24	0120913	BOLT- Stator	4	
25	83033	WASHER- Lock ext./int.	15	
26	0120919	END BELL	1	
27	0120910	GROMMET	1	
28	0120918	COVER- Stator	1	
29	49641	DECAL- Output	1	
30	0120901	STATOR	1	

<b>Ref #</b>	<b>Part #</b>	<b>Description</b>	<b>Qty</b>	<b>Context Note</b>
31	0120906	CAPACITOR	1	
32	0120909	HOLDER- Capacitor	1	
33	49831	BREAKER- Circuit (20 amp)	1	
34	0120912	BOLT- Cover (m5)	2	
35	80260	SCREW- (120V receptacle)	2	
36	83022	WASHER- Lock	2	
37	84111	WASHER- Flat	2	
38	0120908	BOLT- Rotor	1	
39	0078244	BEARING- Ball	1	
40	0120903	ROTOR	1	
41	80604	SCREW- Hex hd. (3/8-16 x 1")	4	
42	0120917	ADAPTOR	1	

HL2500 Generator UT-03681 - Wiring Diagram

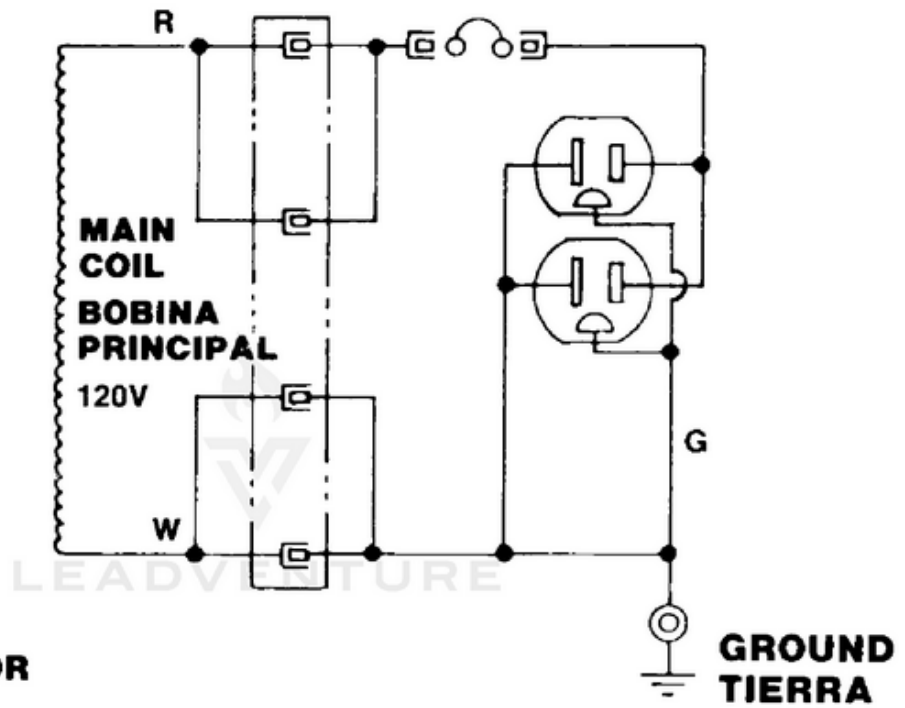
**FIELD COIL:  
BOBINA DE CAMPO**



**COIL CONDENSER  
BOBINA CONDENSADOR**



**CONDENSER  
CONDENSADOR**



Rendered by LeadVenture, Inc.