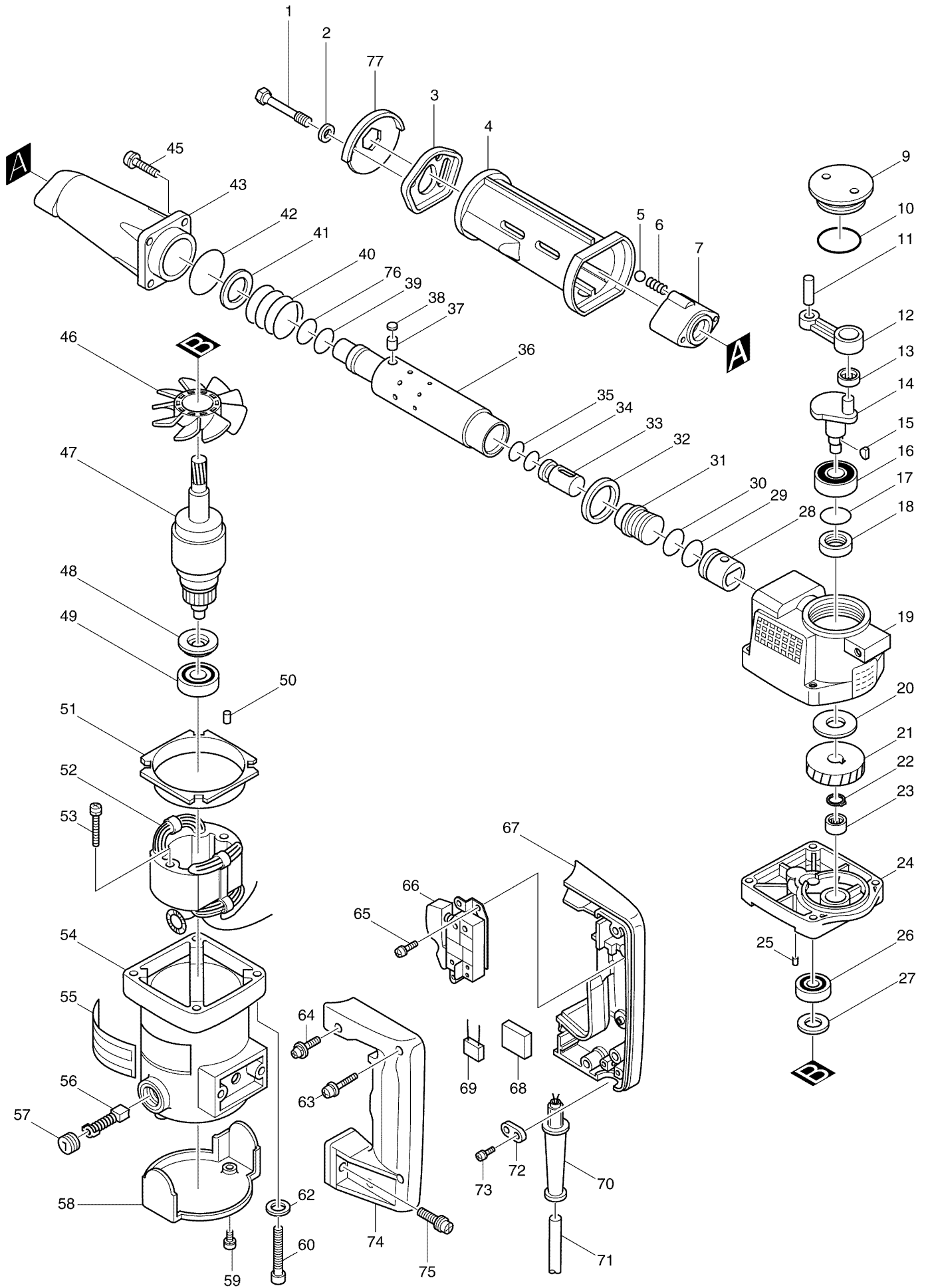


Partdrawing for HK1800 - 19MM A/F HEX SCRAPER



No.	Part no.	Name
1	265393-4	*SHOULDER SCREW M6X46 5PK
10	213554-0	O RING 44 AN711/HR2210/HM1100C
11	256099-5	PIN 6 HR2210/HR2410/HR2420
12	315146-2	ROD HR2210
13	212017-3	NEEDLE BEARING 810 HR2210
14	321855-3	CRANK SHAFT HK1800
15	254031-3	*WOODRUFF KEY3-7 10PK
16	211232-6	BALL BEARING 6002LLU HK1800
17	213459-4	O RING 32 DA4031/4157KB/5903R
18	213219-4	OIL SEAL 15 HK1800/HK1820L
19	159532-5	CRANK HOUSING
2	267017-8	*WASHER 8 - HK1800 10PK
20	253887-1	*BLUE WASHER 15 HK1800 5PK
21	221745-9	HELICAL GEAR 36 HK1800
22	961052-5	*EXT DIN 471 CIRCLIP-12 10PK
23	212052-1	NEEDLE BEARING 1010 4157KB
24	157782-6	GEAR HOUSING HK1800
25	263005-3	RUBBER PIN 6 BUH550RD/BST220/2
26	211101-1	BALL BEARING 6001LLB JR3060T
27	253748-5	*HARD WASHER 12 8035NB 5PK
28	321685-2	PISTON HR2510
29	213308-5	O RING 19 HR2510
3	342910-8	TOOL RETAINER HK1800
30	213308-5	O RING 19 HR2510
31	321854-5	STRIKER HK1800
32	257117-2	RING 28 HK1800
33	324680-1	IMPACT BOLT HK1800
34	213111-4	O RING 12 HK1800
35	213111-4	O RING 12 HK1800
36	321857-9	CYLINDER LINER 24 HK1800
37	256156-9	PIN 6 HK1800
38	423122-3	CUSHION PLATE
39	213309-3	O RING 19 HK1800/HR3540*41
4	414175-3	BARREL COVER HK1800
40	231395-2	COMPRESSION SPRING 24 HK1800
41	267026-7	*NARROW WASHER 24 HK1800 5PK
42	213512-6	O RING 39 HK1800
43	315838-3	BARREL HK1800
45	922341-3	*CAP HD SCREW M6X25 5PK
46	241820-5	FAN 67
47	512851-4	ARMATURE 110V HK1800
47	512854-8	ARMATURE 240V HK1800
48	681625-5	INSULATION WASHER 4157KB
49	211033-2	BALL BEARING 608LB 9217SPC/904
5	216011-7	*STEEL BALL 5.6 10PK
50	263014-2	RUBBER PIN 4 SR2600/N1923BD/HR
51	410578-9	BAFFLE PLATE HK1800
52	522651-4	FIELD ASS'Y 115V

52	528789-3	FIELD ASS'Y 240V
53	911265-8	PAN HEAD SCREW M5X40
54	157553-1	*MOTOR HOUSING HK1800
55	855426-9	NAME PLATE HK1800
56	181038-5	CARBON BRUSH CB-105
57	643600-9	BRUSH HOLDER CAP CB-7E/9217SPC
58	343390-1	REAR COVER HK1800
59	911211-1	*PAN HD SCREW 5X12 W/SP 10PK
6	231403-9	*COMPRESSION SPRING 3 10PK
60	266252-5	HEX. SOCKET HEAD BOLT M6X45
62	941152-7	*FLAT WASHER 6 DIN125-A 10PK
63	911243-8	*PAN HDSCREW M5X25 W/CP 10PK
64	911328-0	PAN HEAD SCREW M6X18
65	911109-2	*PAN HEAD SCREW M4X8 10PK
66	651026-1	SWITCH HPAH6-3S HR2210/HR3500
67	181411-9	HANDLE SET HK1800 (TIB130)
68	685700-9	SPONGE SHEET
68	685725-3	SPONGE SHEET BO3700/4320/HM181
69	645209-3	NOISE SUPPRESSOR/CONDENSOR 645
69	645253-0	NOISE SUPPRESSOR 110V
7	321859-5	TOOL HOLDER HK1800
70	682540-6	CORD GUARD MT852/9049/2414
71	665918-8	POWER SUPPLY CORD 1.0-2-2.5
71	692541-6	POWER SUPPLY CORD 1.00-2-5.0
72	687031-2	STRAIN RELIEF HK1820L/3601B
73	911133-5	*PAN HD SCREW M4X18 10PK
74	181411-9	HANDLE SET HK1800 (TIB130)
75	911343-4	PAN HEAD SCRE M6X25 RP2301FC
76	213309-3	O RING 19 HK1800/HR3540*41
77	421336-8	DUST COVER-TOOL HK1800
9	410734-1	CRANK CAP HK1800