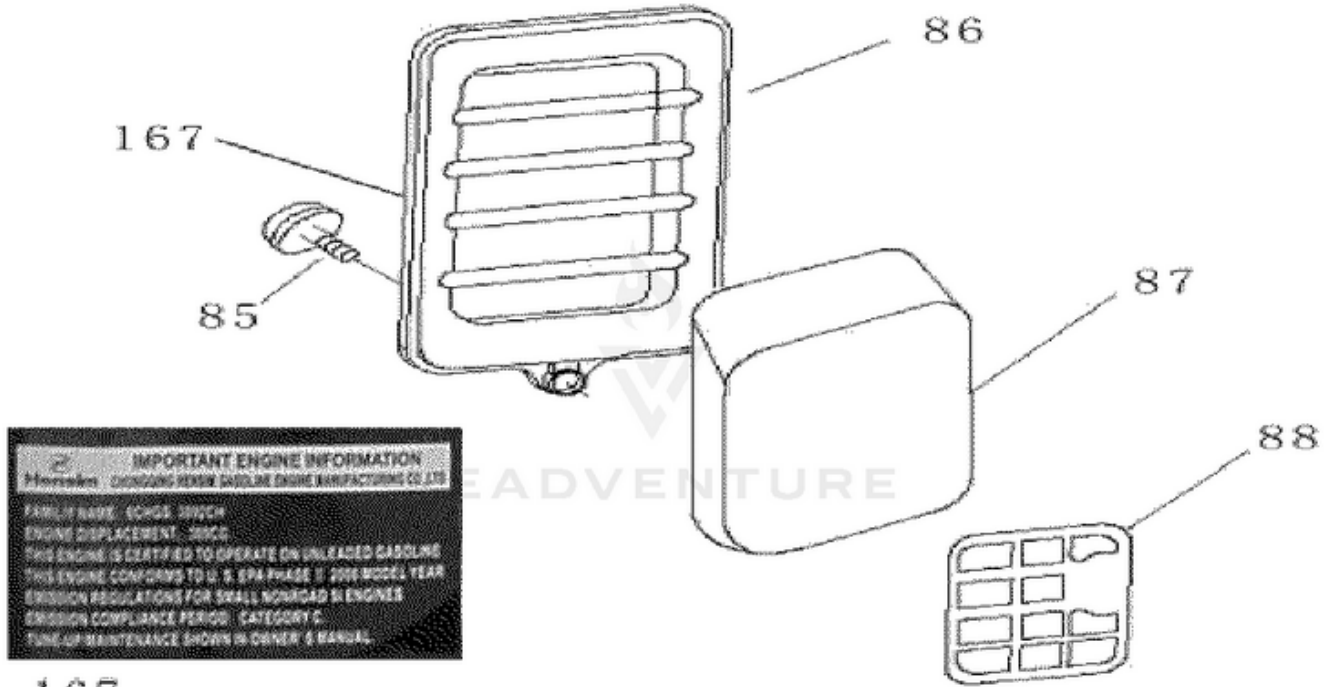


HG6000 Generator - Air Cleaner

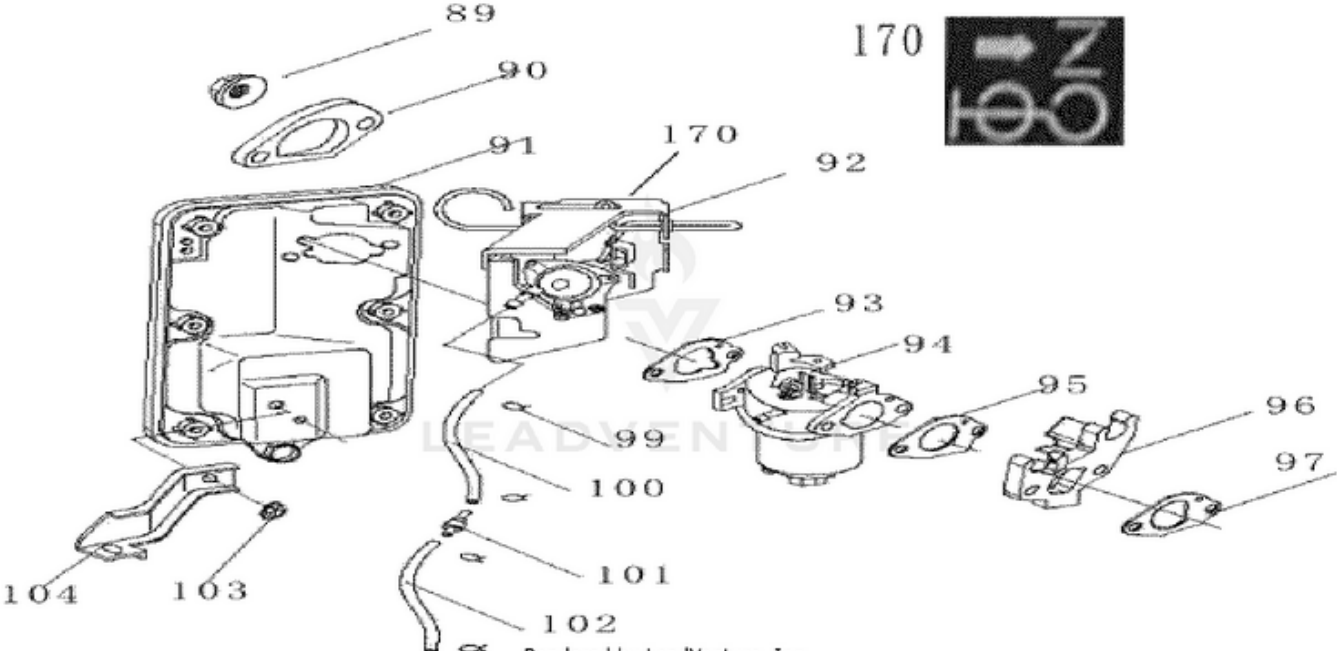


167

Rendered by LeadVenture, Inc.

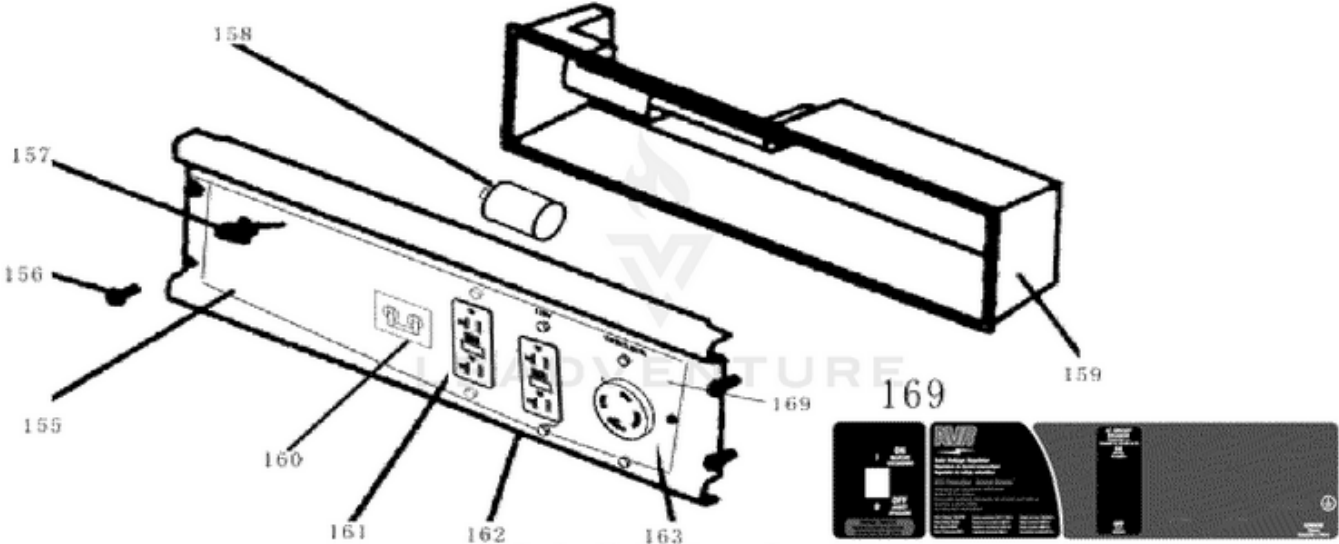
Ref #	Part #	Description	Qty	Context	Note
85	H60-186	Air cleaner bolt	1		
86	H60-187	Air filter cover	1		
87	H60-188	Air filter	1		
88	H60-189	Air filter board	1		
167	H60-267	EPA label	1		

HG6000 Generator - Carburetor



Ref #	Part #	Description	Qty	Context Note
89	H60-190	M6 flanged nut	2	
90	H60-191	Plate	1	
91	H60-192	Air filter case	1	
92	H60-193	Choke air valve	1	
93	H60-194	Gasket	1	
94	H60-195	Carburetor	1	
95	H60-196	Gasket	1	
96	H60-197	Gasket	1	
97	H60-198	Gasket	1	
99	H60-200	Air pipe clip	4	
100	H60-201	Air pipe A	1	
101	H60-202	Unilateral valve	1	
102	H60-203	Air pipe B	1	
103	H60-204	M6 flanged nut	1	
104	H60-205	Bracket	1	
170	H60-270	choke lever label	1	

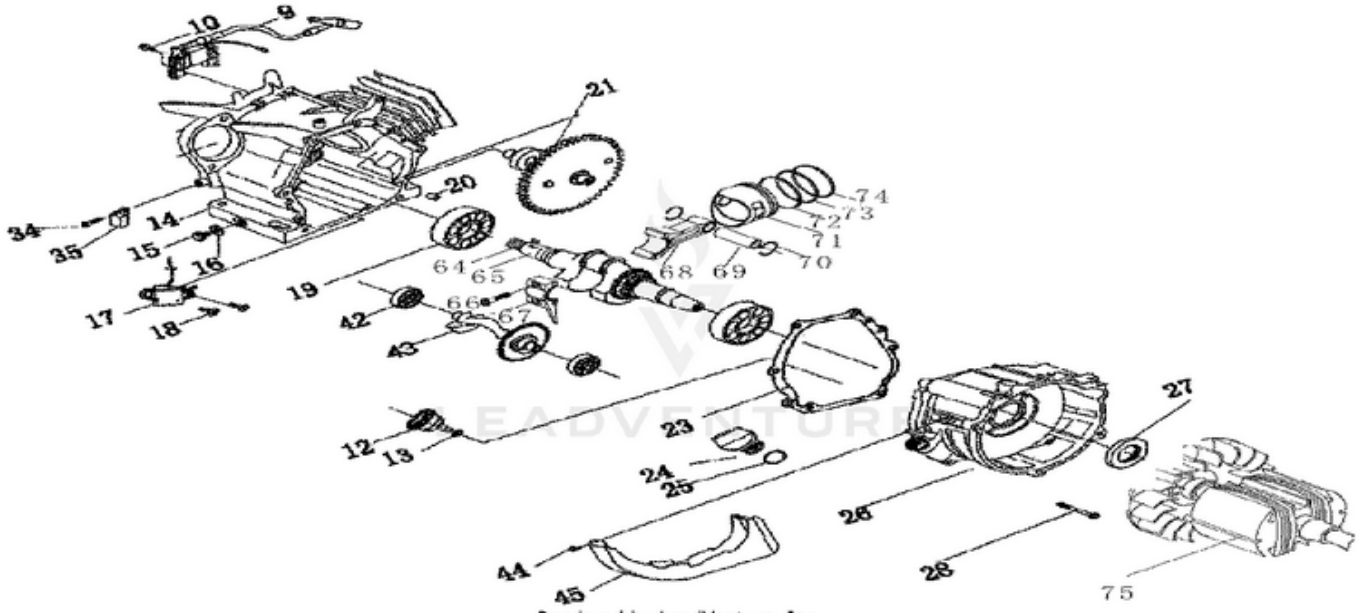
HG6000 Generator - Control Panel



Rendered by LeadVenture, Inc.

Ref #	Part #	Description	Qty	Context Note
155	H60-256	Control panlle	1	
156	H60-257	boltM6x 12	4	
157	H60-258	Engine switch	1	
158	H60-259	capacitor	4	
159	H60-260	Control panle cover	1	
160	H60-261	circuit breaker	1	
161	H60-262	120V GFCI receptacle	1	
162	H60-263	120V GFCI receptacle	2	
163	H60-264	120/240 receptacle	1	
169	H60-269	control panle label	1	

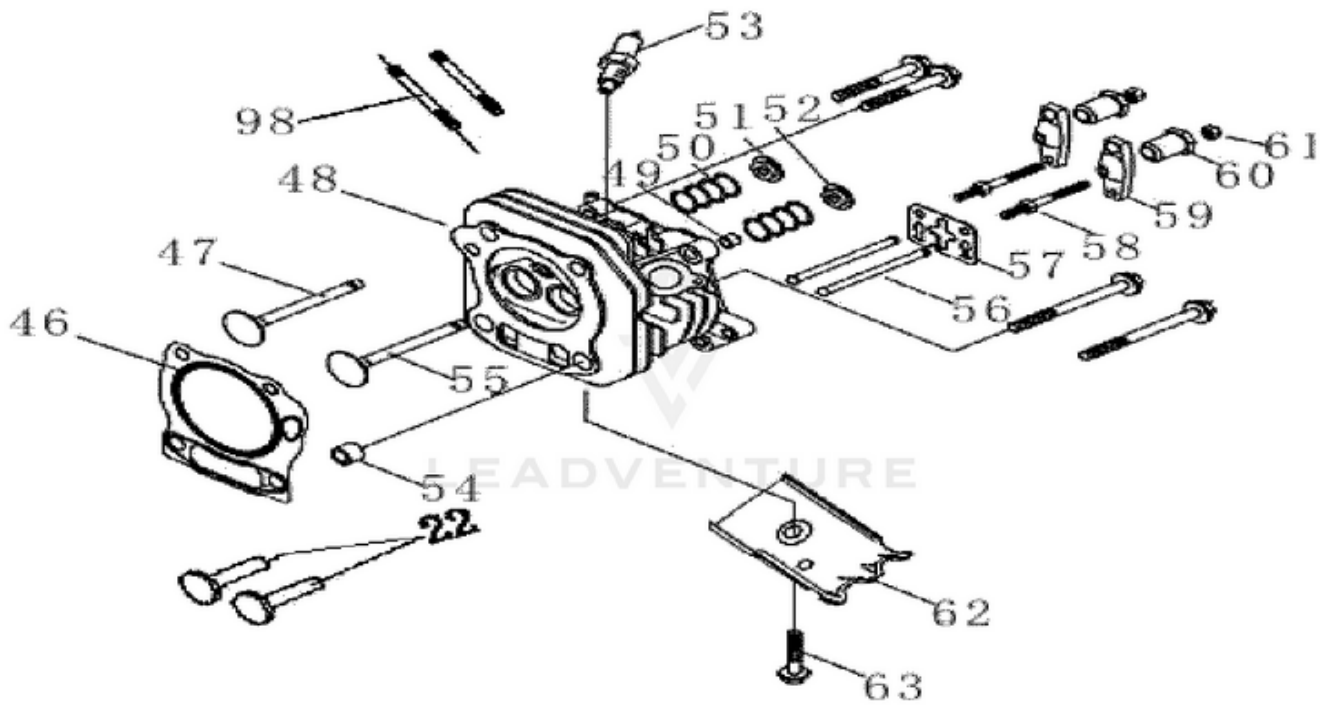
HG6000 Generator - Crankcase Assy



Rendered by LeadVenture, Inc.

Ref #	Part #	Description	Qty	Context	Note
9	H60-108	IGNITION COIL	1		
10	H60-109	M6 x 25 bolt	2		
12	H60-111	Speed regulating wheel	1		
13	H60-112	Washer	1		
14	H60-113	Crankcase	1		
15	H60-114	Flanged bolt	1		
16	H60-115	Washer	1		
17	H60-116	Oil level gauge	1		
18	H60-117	M6 x12 flanged bolt	2		
19	H60-118	Bearing 6207	2		
20	H60-119	Locating ring	2		
21	H60-120	Camshaft	1		
23	H60-122	Gasket	1		
24	H60-123	Oil cover	1		
25	H60-124	Ring seal	1		
26	H60-125	Crankcase cover	1		
27	H60-126	Oil seal	1		
28	H60-127	Flanged M8 x 35	6		
34	H60-134	M6 x 12 hexagon bolt	1		
35	H60-135	II DA	1		
42	H60-142	Cylinder head cover	2		
43	H60-143	Balancer shaft	1		
44	H60-144	M6 x 12 flanged bolt	3		
45	H60-145	Wind guide	1		
64	H60-165	Key 4 x 13	1		
65	H60-166	Crank	1		
66	H60-167	Flanged bolt	2		
67	H60-168	Connecting rod cap	1		
68	H60-169	Connecting rod	1		
69	H60-170	Piston pin	1		
70	H60-171	Piston pin circlip	2		
71	H60-172	Piston	1		
72	H60-173	Oil ring	1		
73	H60-174	2ndcompression ring	1		
74	H60-175	1stcompression ring	1		
75	H60-176	Rotor	1		

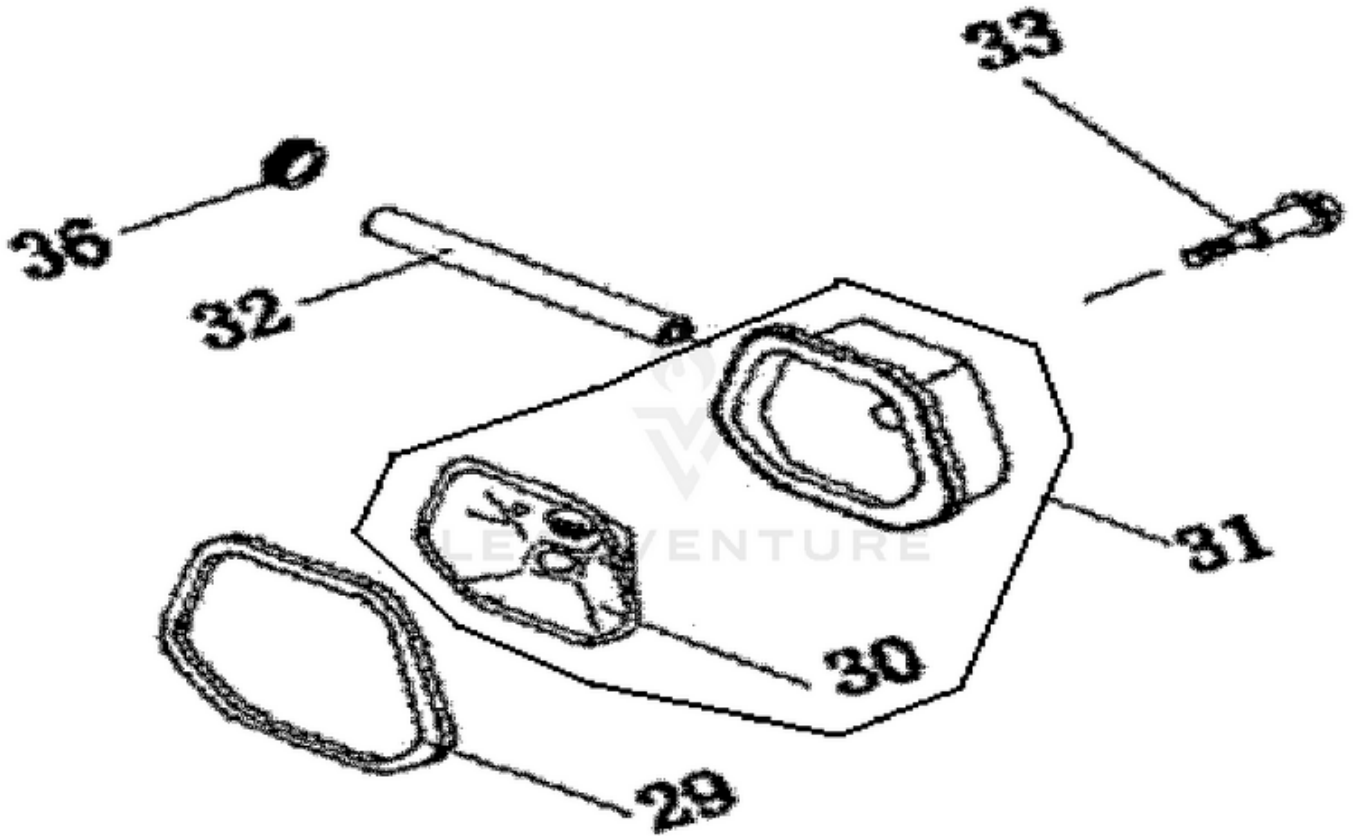
HG6000 Generator - Cylinder Head Assy



Rendered by LeadVenture, Inc.

Ref #	Part #	Description	Qty	Context Note
22	H60-121	Valve lifter	2	
46	H60-146	Gasket	1	
47	H60-147	Intake valve	1	
48	H60-148	Cylinder head	1	
49	H60-149	Exhaust valve bushing	1	
50	H60-150	Valve spring	2	
51	H60-151	Intake valve retainer	1	
52	H60-152	Exhaust valve retainer	1	
53	H60-153	Spark plug	1	
54	H60-154	Locating ring	2	
55	H60-155	Exhaust valve	1	
56	H60-156	Push rod	2	
57	H60-157	Push rod guide	1	
58	H60-158	Rocker screw	2	
59	H60-159	Valve rocker arm	2	
60	H60-160	Adjuster	2	
61	H60-161	M6 x 0.75 nut	2	
62	H60-163	Wind guide	1	
63	H60-164	M6 x 12 flanged bolt	1	
98	H60-199	Stud	2	

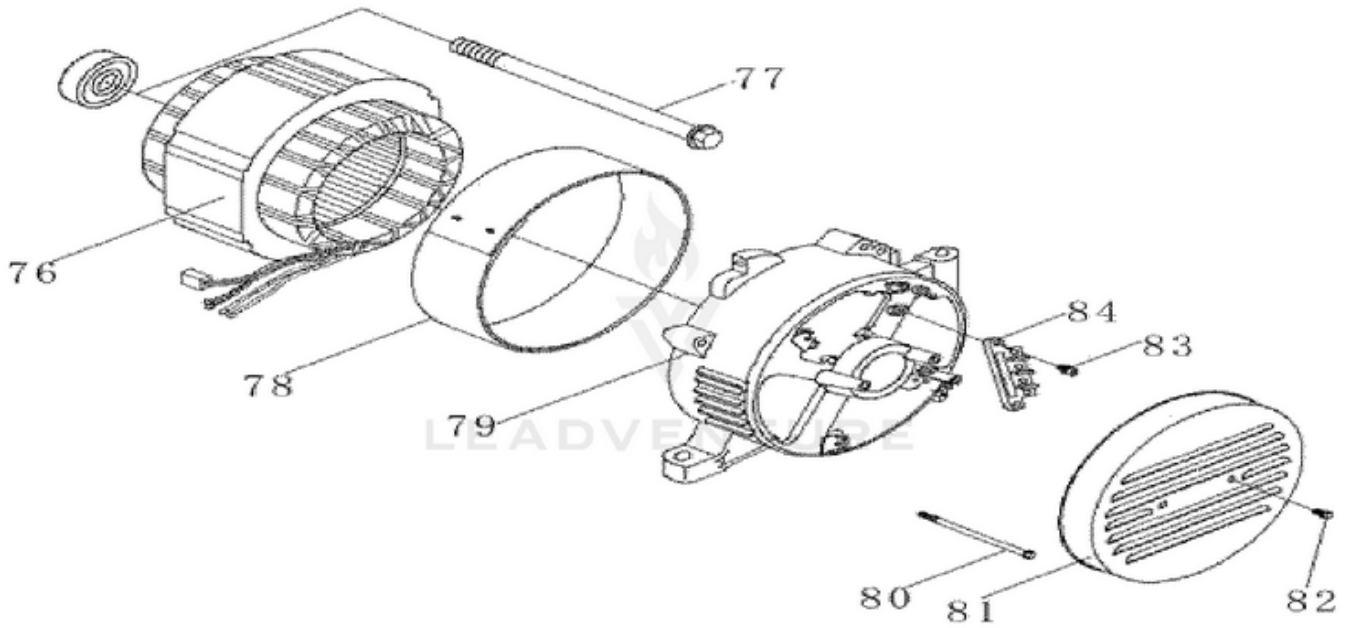
HG6000 Generator - Cylinder Head Cover



Rendered by LeadVenture, Inc.

Ref #	Part #	Description	Qty	Context Note
29	H60-128	Gasket	1	
30		Inside shield	1	
31	H60-131	Cylinder head cover	1	
32	H60-132	Gas pipe	1	
33	H60-133	Bolt	4	
36	H60-136	Rubber band	1	

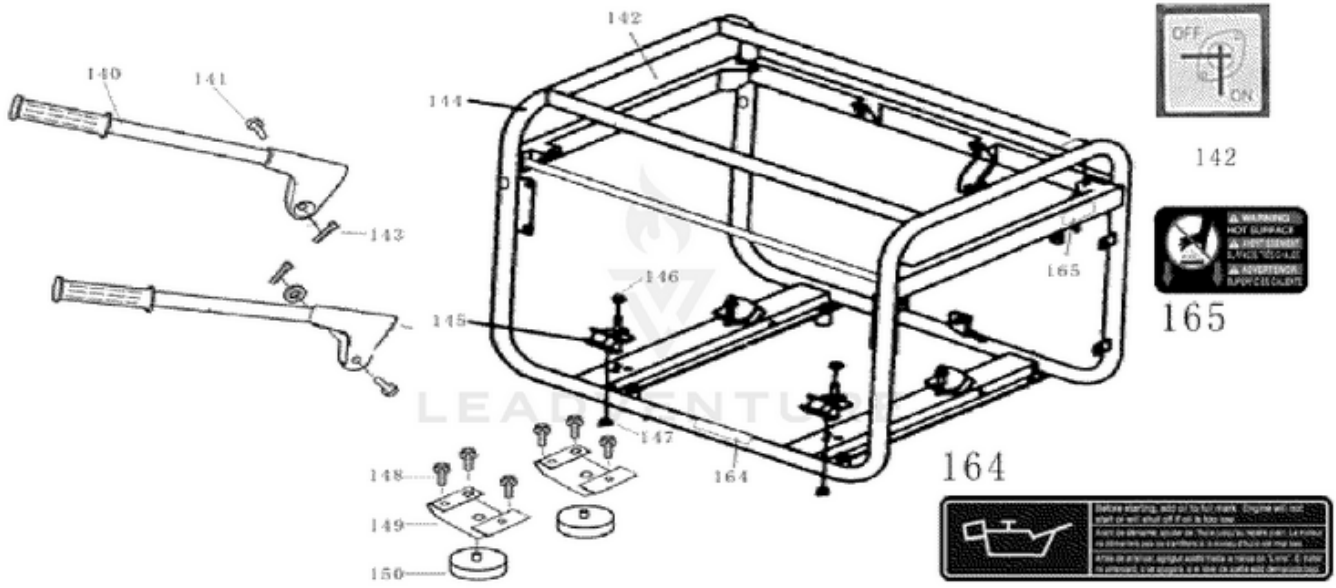
HG6000 Generator - Flywheel and Stator



Rendered by LeadVenture, Inc.

Ref #	Part #	Description	Qty	Context Note
76	H60-177	Stator	1	
77	H60-178	Bolt	1	
78	H60-179	Stator cover	1	
79	H60-180	Rear frame	1	
80	H60-181	M6 x 175 Bolt	4	
81	H60-182	Rear cover	1	
82	H60-183	M5 x 12 flanged bolt	2	
83	H60-184	M5 x 12 flanged bolt	2	
84	H60-185	Wire rack	1	

HG6000 Generator - Frame

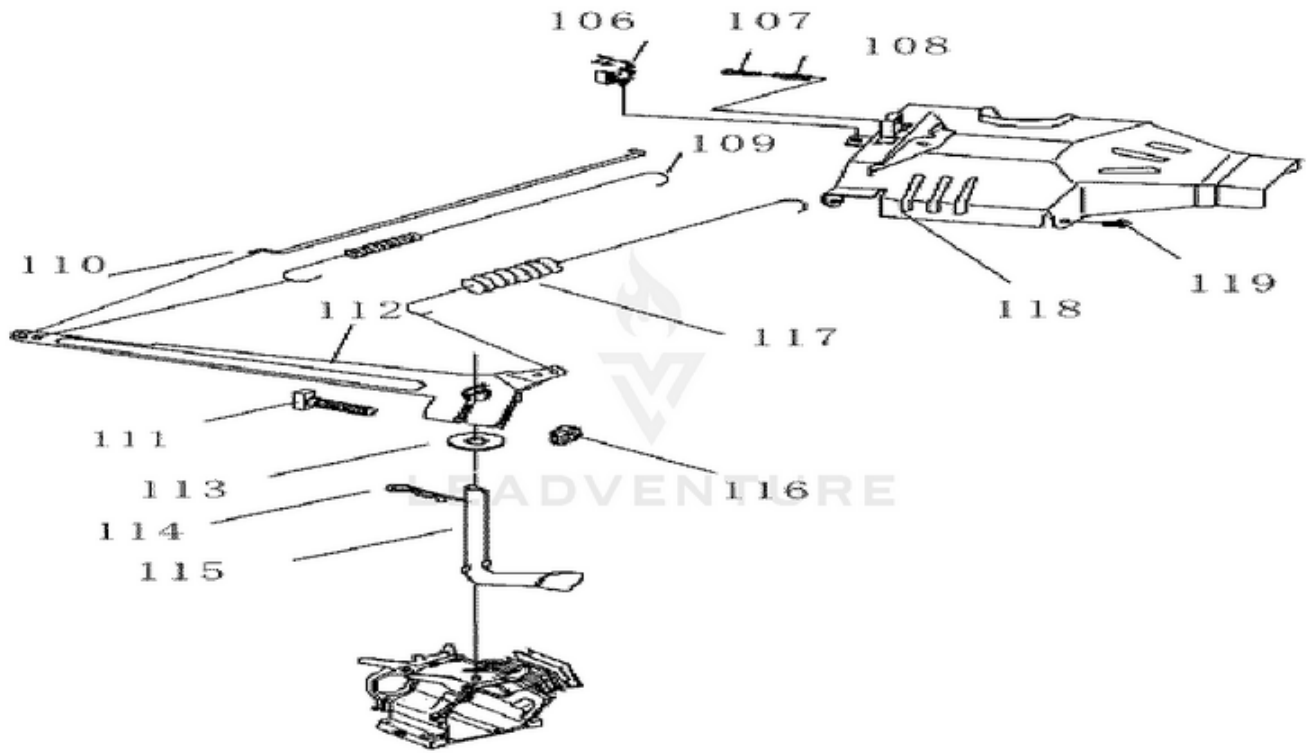


Rendered by LeadVenture, Inc.

Ref #	Part #	Description	Qty	Context Note
140	H60-241	Handle	2	
141	H60-242	Clievis pin	2	
142	H60-243	fuel gauge label	1	
143	H60-244	Cotter Pin	2	
144	H60-245	Frame	1	
145	H60-246	Motor mount	4	
146	H60-247	M10 flanged nut	8	
148	H60-249	M8x 16 pan head screw	4	
149	H60-250	Frame support	1	
150	H60-251	Frame support rubber	1	
164	H60-265	Add oil	1	
165	H60-266	High temperture	2	

Ref #	Part #	Description	Qty	Context	Note
37	H60-137	fuel leak label	1		
38	H60-138	far from fire label	1		
39	H60-139	Fuel tank empty	1		
40	H60-140	Fuel tank Full	1		
41	H60-141	Quick start label	1		
105	H60-206	Warning label	1		
131	H60-232	Fuel hose	1		
132	H60-233	Fuel hose clip	2		
133	H60-234	Fuel valve	1		
134	H60-235	Fuel meter	1		
135	H60-236	Fuel cap	1		
136	H60-237	Fuel filter	1		
137	H60-238	Fuel tank	1		
138	H60-239	M6 x 12 bolt	2		
139	H60-240	Washer	2		

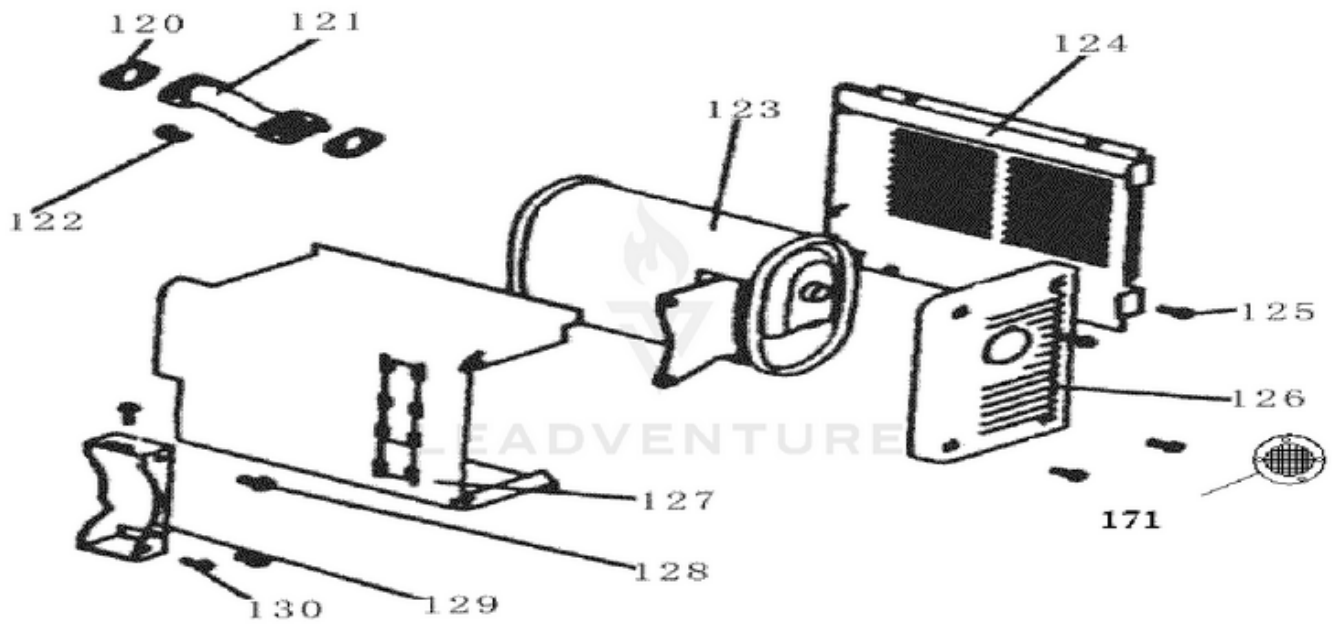
HG6000 Generator - General Assembly



Rendered by LeadVenture, Inc.

Ref #	Part #	Description	Qty	Context	Note
106	H60-207	Clamp	1		
107	H60-208	M5 x 35 pan head screw	1		
108	H60-209	Spring	1		
109	H60-210	Spring	1		
110	H60-211	Link rod	1		
111	H60-212	M6 square head bolt	1		
112	H60-213	Governor arm	1		
113	H60-214	Plain washer	1		
114	H60-215	Clip	1		
115	H60-216	Governor shaft	1		
116	H60-217	M6 flanged nut	1		
117	H60-218	Spring	1		
118	H60-219	Wind guide	1		
119	H60-220	M6 x 12 flanged bolt	3		

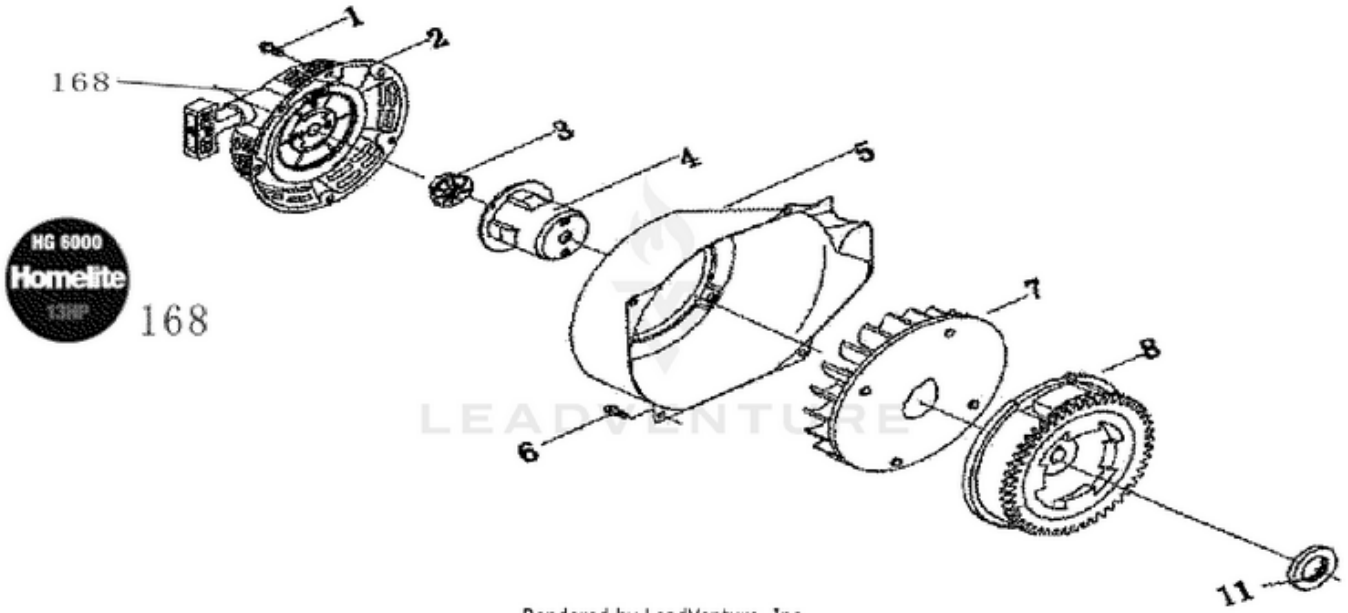
HG6000 Generator - Muffler



Rendered by LeadVenture, Inc.

Ref #	Part #	Description	Qty	Context Note
120	H60-221	Gasket	1	
121	H60-222	Muffler pipe	1	
122	H60-223	M8 nut	2	
123	H60-224	Muffler	1	
124	H60-225	Muffler cover	1	
125	H60-226	M6 x 12 flanged bolt	1	
126	H60-227	Muffler cover	1	
127	H60-228	Muffler cover	1	
128	H60-229	M8 x 20 bolt	2	
129	H60-230	Muffler cover frame	2	
130	H60-231	M8 x 16 flanged bolt	1	
171	H60-130	SPARK ARRESTOR	1	

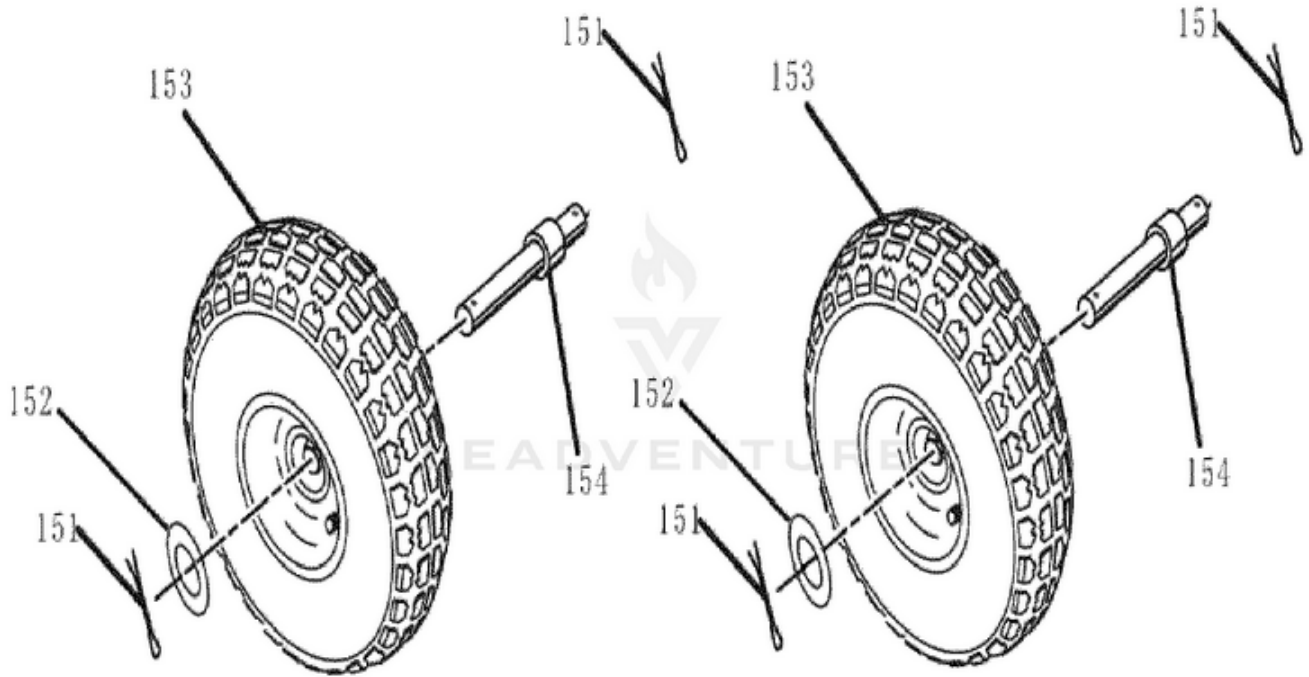
HG6000 Generator - Pull Starter



Rendered by LeadVenture, Inc.

Ref #	Part #	Description	Qty	Context	Note
1	H60-100	M6 x 12 flanged bolt	3		
2	H60-101	Recoil starter	1		
3	H60-102	M14 x 1.5 flanged nut	1		
4	H60-103	Starter pulley	1		
5	H60-104	Wind leader	1		
6	H60-105	M6 x 12 flanged bolt	4		
7	H60-106	Fan	1		
8	H60-107	Flywheel	1		
11	H60-110	Igniter	1		
168	H60-268	Engine recoil starter label	1		

HG6000 Generator - Wheel Assy



Rendered by LeadVenture, Inc.

Ref #	Part #	Description	Qty	Context	Note
--------------	---------------	--------------------	------------	----------------	-------------

151	H60-252	Cotter Pin	4		
-----	---------	------------	---	--	--

152	H60-253	Washer	2		
-----	---------	--------	---	--	--

153	H60-254	Wheel	2		
-----	---------	-------	---	--	--

154	H60-255	Wheel shaft	2		
-----	---------	-------------	---	--	--