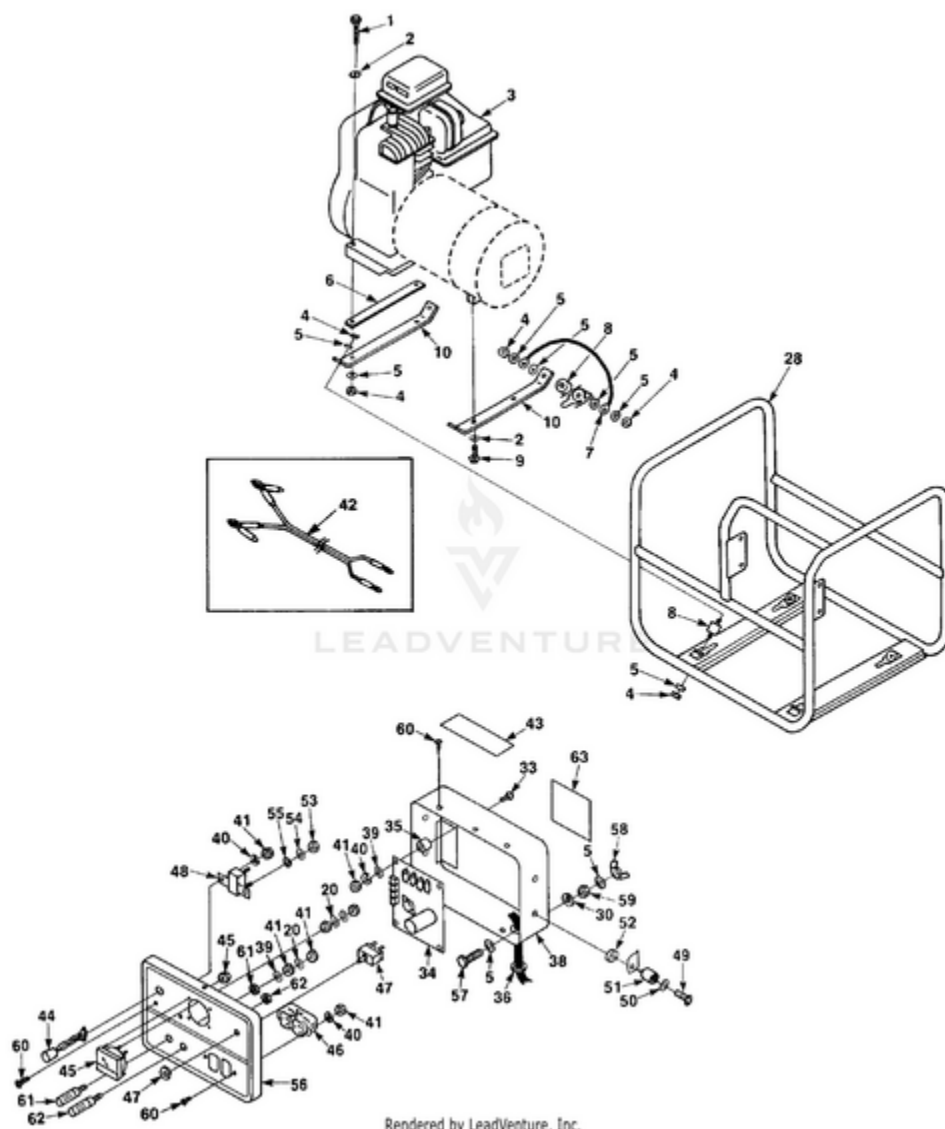


HG1500 Generator UT-03635 - Control Box & Frame

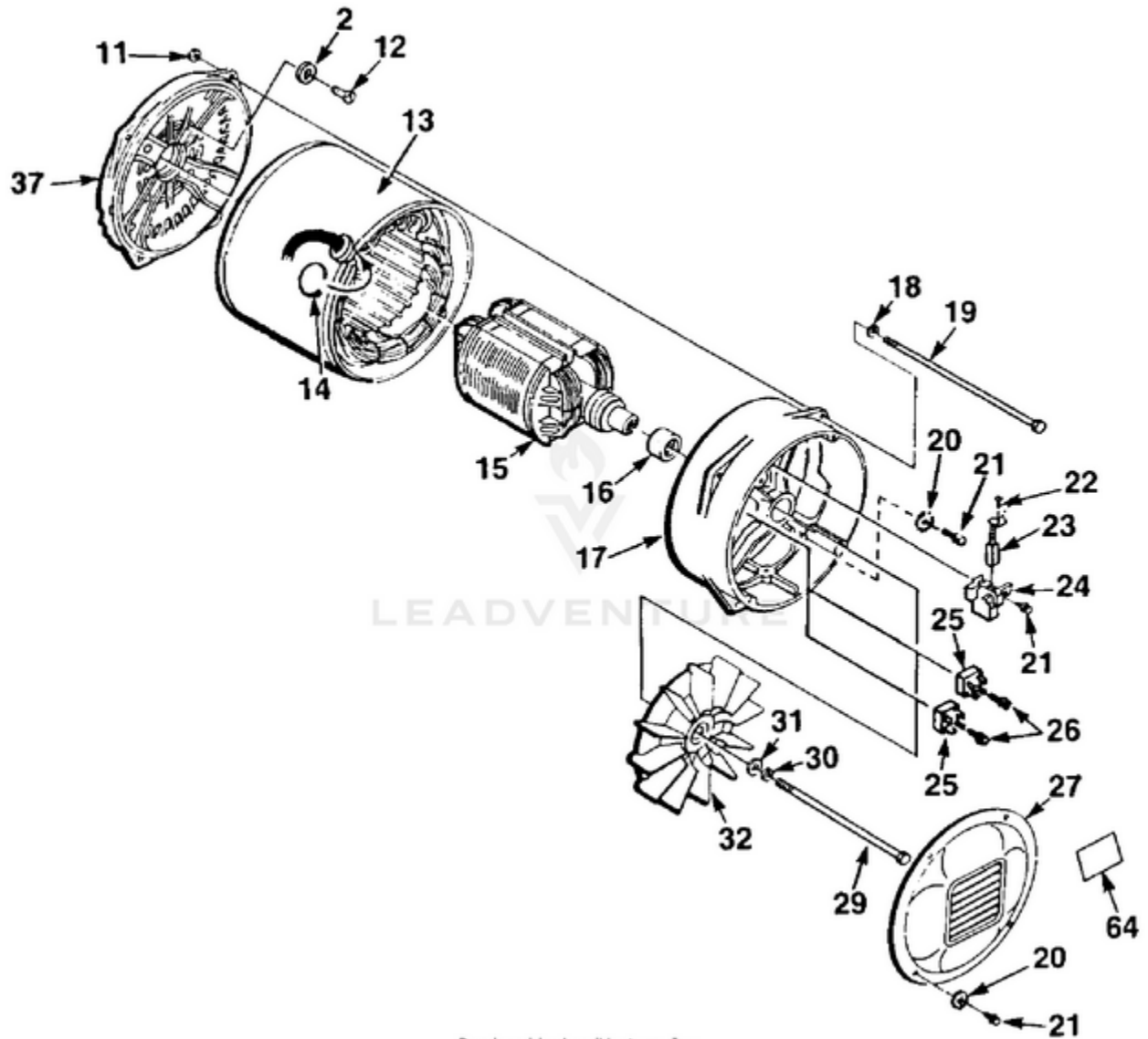


Rendered by LeadVenture, Inc.

| Ref # | Part # | Description | Qty | Context Note |
|-------|---------|---------------------------------|-----|--------------|
| 1 | 80288 | SCREW- Hex hd. 5/16-18 x 1 3/4" | 2 | |
| 2 | 83033 | WASHER- Lock Int. 5/16 | 10 | |
| 3 | A49621S | ENGINE- 3 H.P. (KB) (HG1500) | 1 | |
| | A49620S | ENGINE- 4 H.P. (KB) (HG2100) | 1 | |
| 4 | 81162 | NUT- Hex 5/16-18 | 10 | |
| 5 | 83081 | WASHER- Int. 5/16 | 10 | |
| 6 | 49466 | SPACER | 1 | |
| 7 | A49399 | STRAP- Ground | 1 | |
| 8 | 49367 | ISOLATOR- Vibration | 4 | |
| 9 | 82206 | SCREW- Hex taptite 5/16-18 x 1" | 2 | |
| 10 | 49465 | SUPPORT- Engine & Generator | 2 | |
| 20 | 83022 | WASHER- Lock int. #8 | 8 | |
| 28 | A496351 | ROLL CAGE | 1 | |
| 30 | 83002 | WASHER- Lock 5/16" | 1 | |
| 33 | 80582 | SCREW- Pan hd. #8-32 x 5/8" | 1 | |
| 34 | A48999B | VOLTAGE REGULATOR | 1 | |
| 35 | 49498 | SPACER- 1/4" | 1 | |
| 36 | 49122 | GROMMET | 1 | |
| 38 | A494681 | CONTROL BOX | 1 | |
| 39 | 84111 | WASHER- Flat #8 | 1 | |
| 40 | 83060 | WASHER- Lock #8 | 1 | |
| 41 | 81009 | NUT- Hex 8-32 | 1 | |
| 42 | A49380 | LEAD- D.C. | 1 | |
| 43 | 49495 | DECAL- Warning | 1 | |
| 44 | A49366 | PILOT LITE | 1 | |
| 45 | 49472 | VOLTMETER | 1 | |
| 46 | 50991 | RECEPTACLE- Duplex | 1 | |
| 47 | 48952 | BREAKER- Circuit (AC) (HG2100) | 1 | |
| | 49628 | BREAKER- Circuit (AC) (HG1500) | 1 | |
| 48 | 49298 | BREAKER- Circuit (DC) | 1 | |
| 49 | 82322 | SCREW- Pan Hd. 1/4-20 x 3/4" | 1 | |
| 50 | 84006 | WASHER- Flat 1/4" | 1 | |
| 51 | 49350 | SLEEVE- Grommet | 1 | |
| 52 | 49351 | GROMMET- Isolator | 1 | |
| 53 | 81264 | NUT- Hex 10-32 | 1 | |
| 54 | 84003 | WASHER- Flat #10 | 1 | |
| 55 | 83025 | WASHER- Lock #10 | 1 | |
| 56 | 494701 | CONTROL PANEL | 1 | |
| 57 | 80085 | SCREW- Hex hd. 5/16-18 x 1" | 1 | |
| 58 | 81015 | NUT- Wing 5/16-18 | 1 | |
| 59 | 81018 | NUT- Hex 5/16-18 | 1 | |

| Ref # | Part # | Description | Qty | Context Note |
|--------------|---------------|-----------------------------|------------|---------------------|
| 60 | 80577 | SCREW- Pan hd. 8-32 x 3/8" | 1 | |
| 61 | 49292 | POST- Binding (Black) | 1 | |
| 62 | 49293 | POST- Binding (Red) | 1 | |
| 63 | 49598 | DECAL- Caution | 1 | |
| | 43863 | PLUG- Accessory (Not shown) | 1 | |

HG1500 Generator UT-03635 - Generator



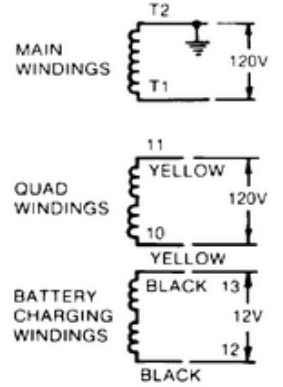
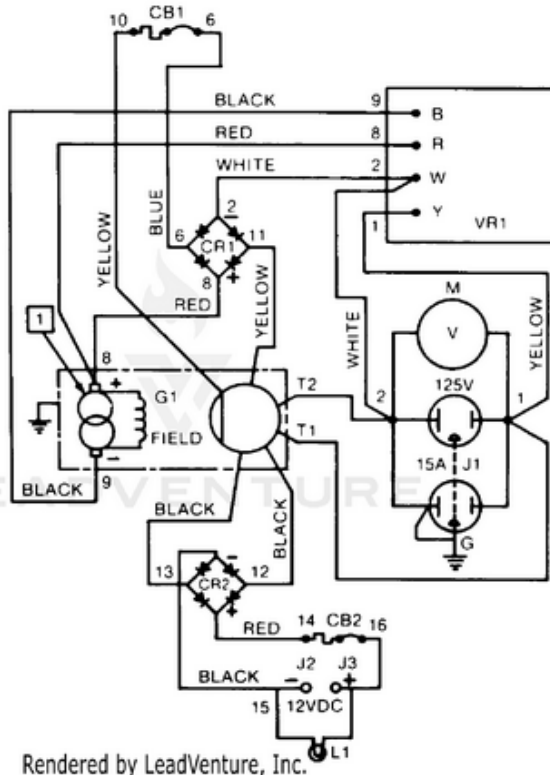
Rendered by LeadVenture, Inc.

| Ref # | Part # | Description | Qty | Context Note |
|-------|---------|-----------------------------------|-----|--------------|
| 2 | 83033 | WASHER- Lock Int. 5/16 | 10 | |
| 11 | 81053 | NUT- Hex 1/4-20 | 4 | |
| 12 | 80604 | SCREW- Hex hd., 5/16-24 x 3/4" | 4 | |
| 13 | A49638A | STATOR & SHELL w/GROMMET | 1 | |
| 14 | 46840 | TIE- Cable | 4 | |
| 15 | A49653S | ROTOR | 1 | |
| 16 | 53819 | BEARING | 1 | |
| 17 | 537592 | BRUSH HEAD | 1 | |
| 18 | 83070 | WASHER- Lock | 4 | |
| 19 | 49480 | BOLT- Stator | 4 | |
| 20 | 83022 | WASHER- Lock int. #8 | 8 | |
| 21 | 82474 | SCREW- Thread forming | 7 | |
| 22 | 80260 | SCREW- Mach round hd. 8-32 x 3/8" | 4 | |
| 23 | 53762 | BRUSH | 2 | |
| 24 | 53760 | BRUSH HOLDER | 1 | |
| 25 | 53818 | RECTIFIER | 2 | |
| 26 | 82205 | SCREW- Hex taptite, 8-32 x 3/4" | 3 | |
| 27 | 513941 | COVER- Brush head | 1 | |
| 29 | 4885204 | BOLT- Rotor .312-24 x 6 1/2" | 1 | |
| 30 | 83002 | WASHER- Lock 5/16" | 1 | |
| 31 | 84058 | WASHER- Flat 5/16" | 1 | |
| 32 | A53769 | FAN | 1 | |
| 37 | 537526 | END BELL- Generator | 1 | |
| 64 | 49613 | DECAL- Warning | 1 | |
| | 43863 | PLUG- Accessory (Not shown) | 1 | |

HG1500 Generator UT-03635 - Schematic

NOTE: 1 SLIP RING CLOSEST TO BEARING.

| PART | DESCRIPTION |
|----------|------------------------------|
| G1 | REVOLVING FIELD GENERATOR |
| CR1, CR2 | FULL WAVE BRIDGE RECTIFIER |
| VR1 | ELECTRONIC VOLTAGE REGULATOR |
| CB1 | THERMAL CIRCUIT BREAKER |
| J1 | 125V DUPLEX RECEPTACLE |
| J2 | BLACK BANANA BINDING POST |
| J3 | RED BANANA BINDING POST |
| CB2 | 12V D C CIRCUIT BREAKER |
| M | 150V A C METER |
| L1 | GREEN 14V LAMP |



Rendered by LeadVenture, Inc.