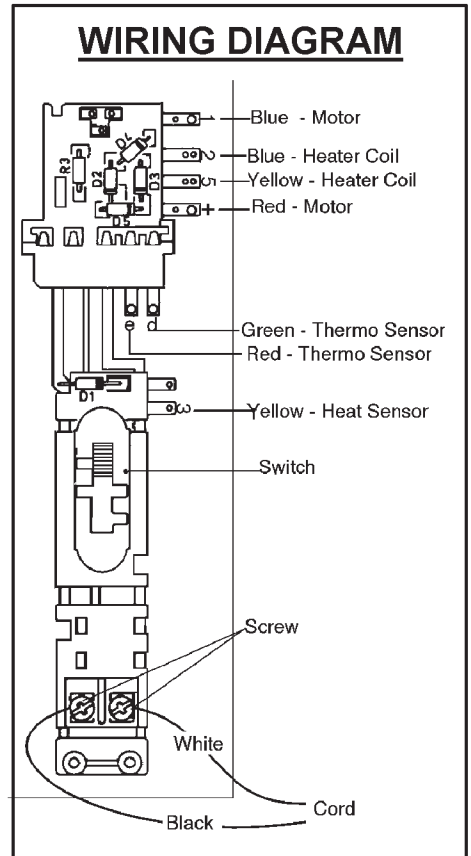
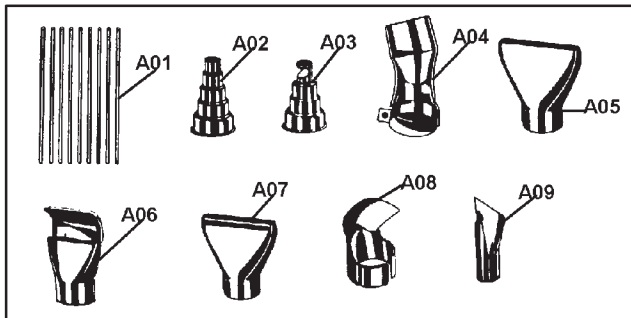
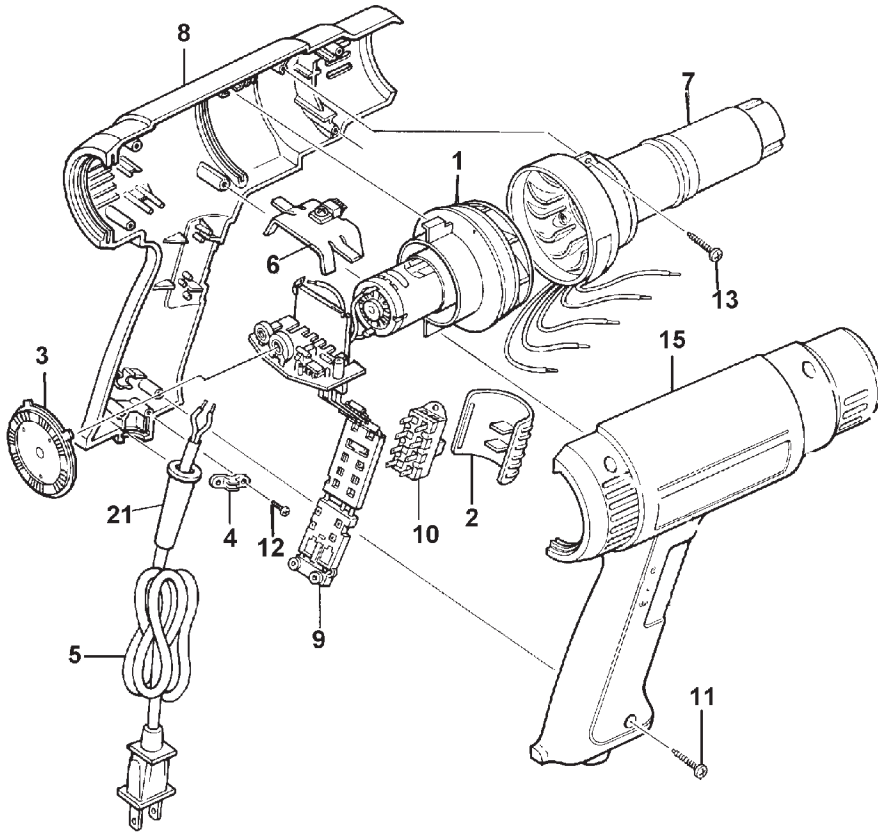




10 - 2010
HG1100
HEAT GUN



Item No.	Type	Sub	Part No.	Description	Qty	Unit
1			119704-H	MOTOR WITH FAN	1	PC.
2			119760-H	SWITCH ACTUATOR	1	PC.
3			119762-H	THUMB WHEEL	1	PC.
4			119765-H	STRAIN RELIEF	1	PC.
5			664265-4	CORD WITH PLUG 2P-16-2.5M, SJ (OLD# 664213-3 - N/L/A)	1	PC.
6			120141-H	COOLING PLATE - N/L/A as individually - USE Item No. 9	1	PC.
7			120431-H	HEATING ELEMENT	1	PC.
8	1		120680-L	HOUSING (L) (Use with Item No. 15 Type1)	1	PC.
	2		120680-H	HOUSING SET	1	PC.
9			120681-H	INTERCONNECT BLOCK	1	PC.
		INC.		Item No. 6, 10		
10			121328-H	SWITCH	1	PC.
11			121400-H	SCREW 19/32"	6	PC.
12			121401-H	PAN HEAD SCREW #1 - 1/2"	2	PC.
13			121401-H	PAN HEAD SCREW #1 - 1/2"	1	PC.
15	1		120680-R	HOUSING (R) (Use with Item No. 8 Type1)	1	PC.
	2		120680-H	HOUSING SET	1	PC.
21			114511-H	CORD GUARD	1	PC.

ACCESSORIES

A01			110731-A	PVC PLASTIC WELDING RODS	1	PC.
			110742-A	ABS PLASTIC WELDING RODS	1	PC.
A02			110706-A	3/8" (9MM) REDUCTION NOZZLE	1	PC.
			110707-A	9/16" (14MM) REDUCTION NOZZLE	1	PC.
			110708-A	25/32" (20MM) REDUCTION NOZZLE	1	PC.
A03			110746-A	3/8" (9MM) REFLECTOR NOZZLE	1	PC.
A04			110751-A	WIDE ANGLE SLIT NOZZLE	1	PC.
A05			110702-A	3" (75MM) SURFACE NOZZLE	1	PC.
A06			110730-A	LARGE REFLECTOR NOZZLE	1	PC.
A07			110704-A	3" (75MM) WINDOW NOZZLE	1	PC.
A08			110705-A	REFLECTOR NOZZLE	1	PC.
A09			110720-A	WELDING NOZZLE (USE WITH 110706-A)	1	PC.