

J E T

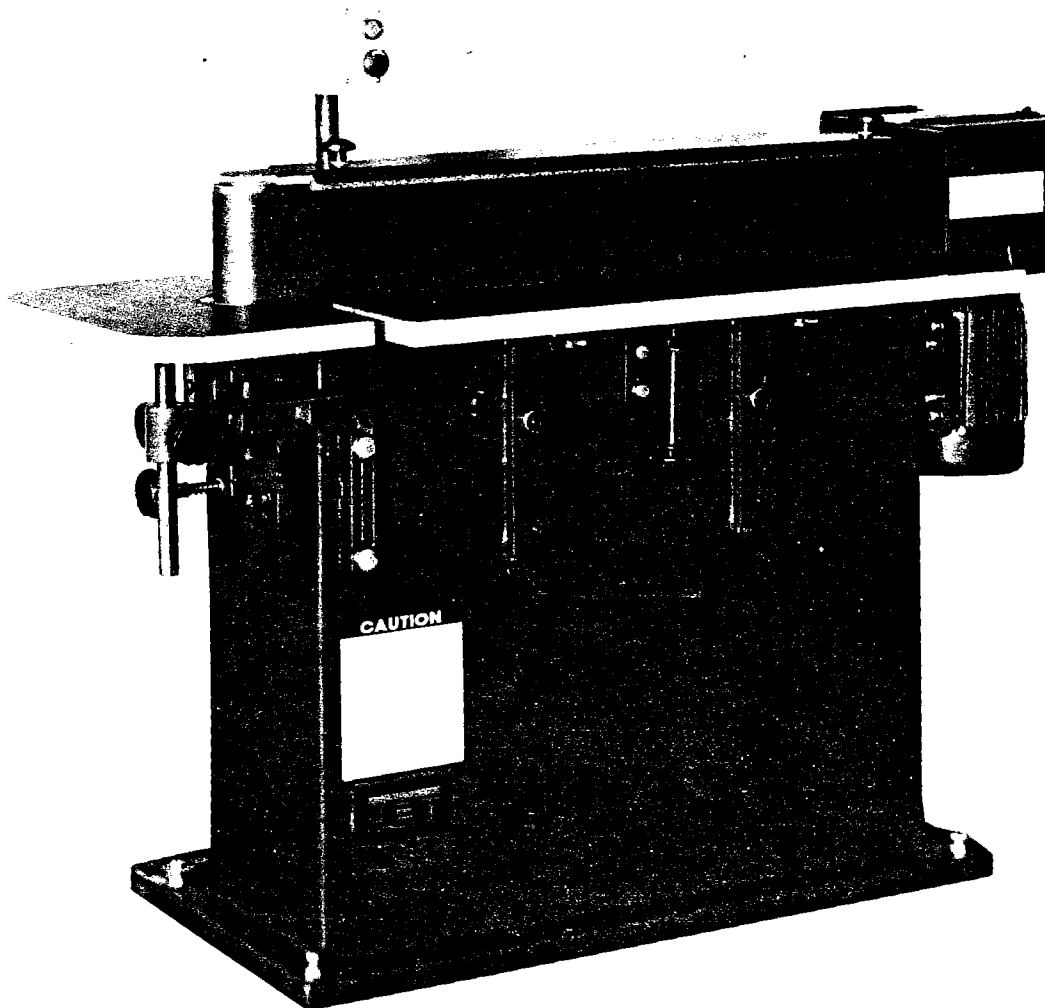
EQUIPMENT & TOOLS

OPERATOR'S MANUAL

EDGE SANDER

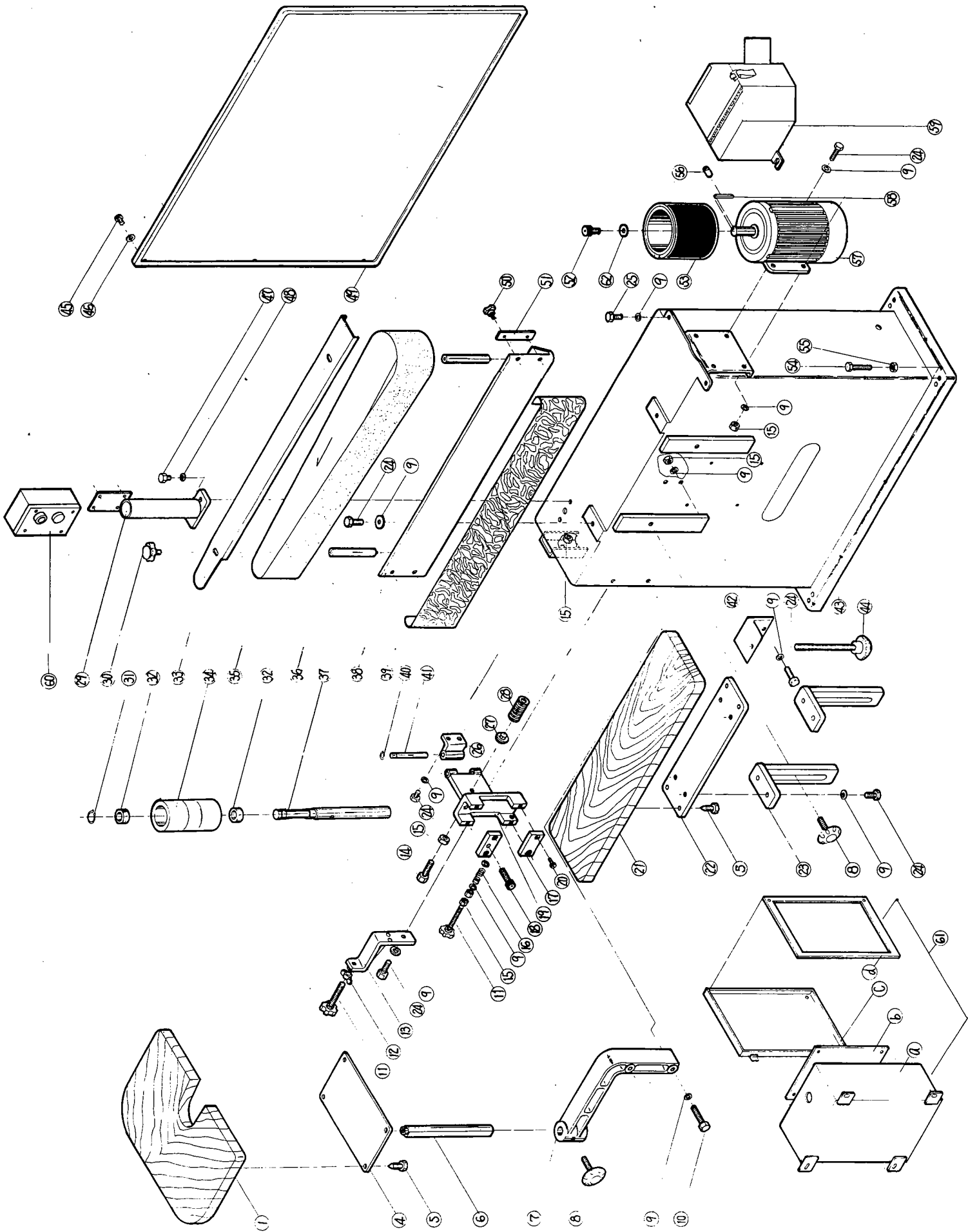
HES-6108-1 / HES-6108-3

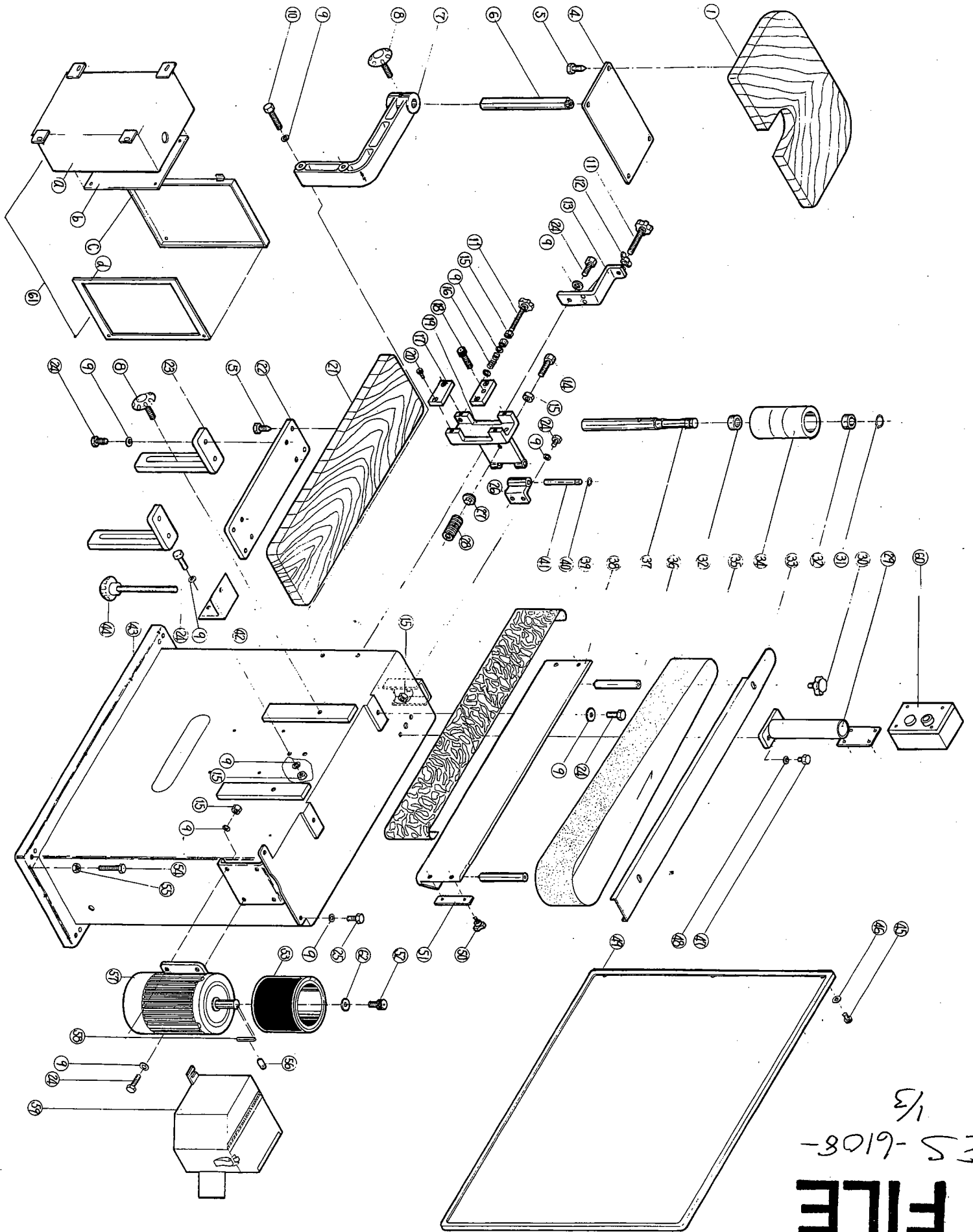
MANUAL STOCK NUMBER: M-708450/M-708461



PARTS LIST FOR EDGE SANDER

Ref No.	Part No.	Description	Q'ty	Remark
1	SB-S19	End Table	1	
4	SB-S20	End Steel Plate	1	
5	5D-A301	Hex. Hd. Wood Scr.	8	1/4"-20NC-1-1/4ℓ
6	SB-S26	Support Bar	1	
7	SB-S21	Table Support	1	
8	5C-F004	Knob	3	1/2"-12UNC-25ℓ
9	5E-A010	Washer	29	id 3/8"×od 20×2t
10	5C-A359	Hex. Hd.Scr.	2	3/8"-16UNC-2 1/2"ℓ
11	5C-F005	Knob	2	3/8"-16UNC-80ℓ
12	5D-D002	Wing Nut	2	3/8"-16UNC
13	SB-S18	Spring Holder	1	
14	5C-A358	Hex. Hd. Scr.	1	3/8"-16UNC-1-5/8"ℓ
15	5D-A004	Hex. Nut	10	3/8"-16UNC
16	SB-S29	Spring	1	
17	SB-S17	Cover Plate	2	
18	5C-B208	Soc. Hd. Cap Bolt	1	5/16"-18UNC-2"ℓ
19	SB-S13	Idler Pulley Holder	1	
20	5C-B103	Soc. Hd. Cap. Scr.	4	1/4"-20UNC-5/8"ℓ
21	SB-S22	Front Table	1	
22	SB-S23	Front Steel Plate	1	
23	SB-S24	Table Angle	2	
24	5C-A354	Hex. Hd. Scr.	17	3/8"-16UNC-1"ℓ
25	5C-A352	Hex. Hd. Scr.	2	3/8"-16UNC-5/8"ℓ
26	SB-S12	Hinge Holder.	1	
27	SB-S15	Spring adjusting Block	1	
28	SB-S16	Spring	1	
29	SB-S09	Switch Support	1	
30	5C-F006	Knobs Bolt	2	5/16"-18UNC-15ℓ
31	5F-A015	Retaining Ring	1	STW-25
32	5H-A111	Bearing	2	#6205-LB
33	SB-S08	Safety Guard	1	
34	SB-S10	Pulley	1	
35	5J-E001	abrasive-Belt	1	#6205-LB
36	SB-S05	Guard Support	2	
37	SB-S11	Pulley Shaft	1	
38	SB-S06	Steel Platen	1	
39	SB-S28	Graphite	1	6"×1100ℓ
40	5F-A003	Retaining Ring	1	STW-12
41	SB-S14	Hinge Shaft	1	
42	SB-S25	Support Angle	1	
43	SB-S01	Base	1	
44	5C-F007	Table Adjusting Knob	1	1/2"-12UNC-200ℓ
45	5C-A101	Hex. Hd. Scr.	8	1/4"-20 UNC-3/8"ℓ
46	5E-A005	Washer	8	id 1/4"×od 16x0.8t
47	5C-A202	Hex. Hd. Scr.	2	5/16"-18UNC-5/8"ℓ
48	5E-A007	Washer	2	id 5/16"×od 16x1.5t
49	SB-S27	Back Cover	1	
50	5A-G002	Wing Scr.	4	1/4"-20 UNC-5/8"ℓ
51	SB-S07	Clamping Piece	2	
52	5A-B204	Soc. Hd. Cap Scr.	1	5/16"-18UNC-1"ℓ
53	SB-S03	Contact Wheel	1	
54	5A-A410	Hex. Hd. Scr.	4	1/2"-12UNC-2-1/2"ℓ
55	5D-A005	Hex. Nut	4	1/2"-12UNC
56	5C-C103	Set :Scr.	2	5/16"-18UNC-3/8"ℓ
57A	SB-Y02	Motor (2HP 3PH)	1	
57B	SB-Y01	Motor (1-1/2HP 1PH)	1	
58		Key	1	7x7x 70ℓ
59	SB-S04	Dusthood	1	
60	SB-Y03	Push Button Ass'y	1 Set	
61	SB-Y06	Switcho Box	1 Set	
62	PA-C11	Washer	1	
63A	SB-Y06A	Contacto & Thermal Overload Relay	1 Set	2HP 3PH
63B	SB-Y06B	Contacto & Thermal Overload Relay	1 Set	1-1/2HP 1PH
64	SB-Y11	Transformer (Optional)	1	





FILE
HES-6108-
1/3

FILE

HES-6108-1/3

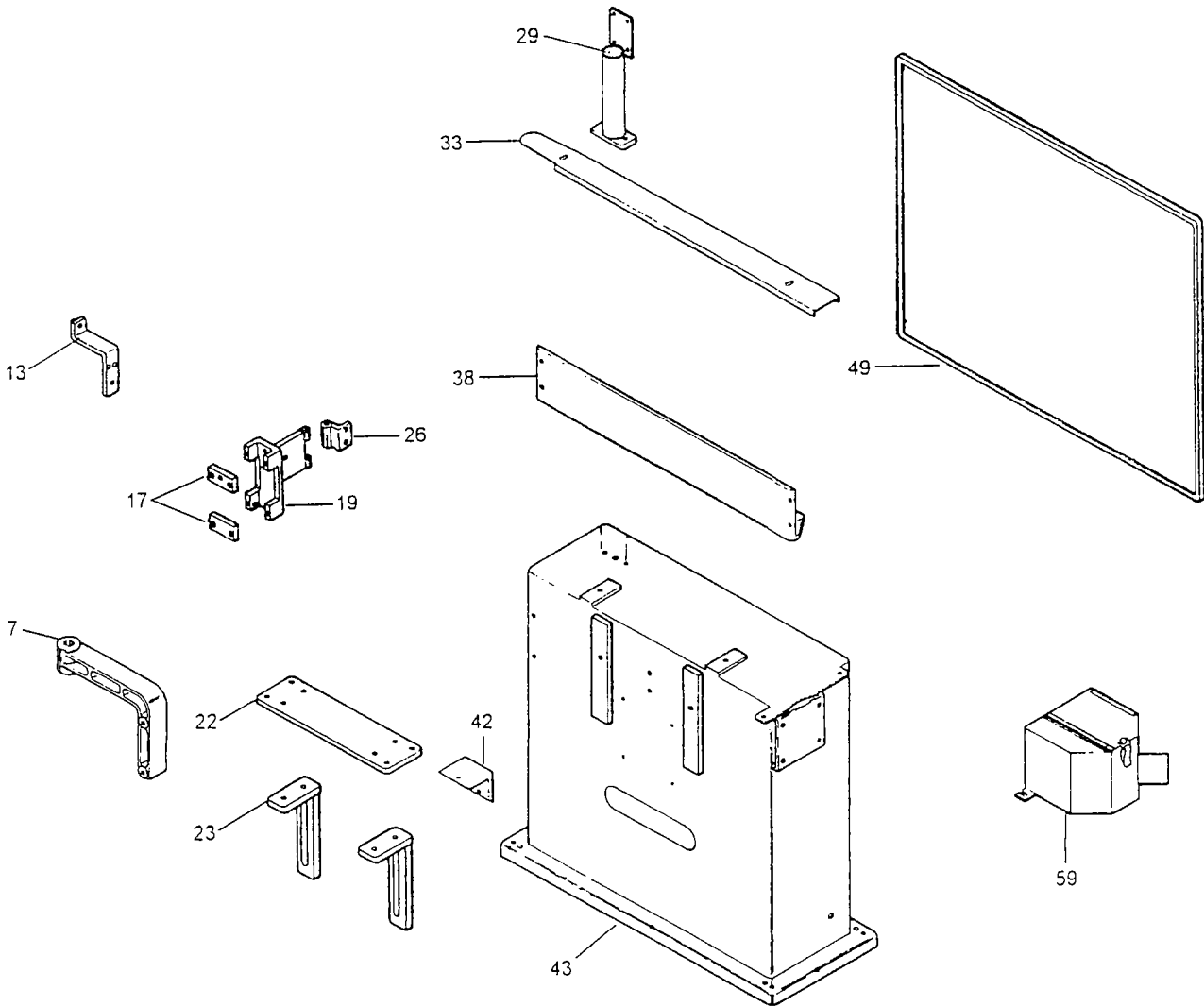
PARTS LIST FOR EDGE SANDER

Ref No.	Part No.	Description	Q'ty	Remark
1	SB-S19	End Table	1	
4	SB-S20	End Steel Plate	1	
5	5D-A301	Hex. Hd. Wood Scr.	8	1/4"-20NC-1-1/4ℓ
6	SB-S26	Support Bar	1	
7	SB-S21	Table Support	1	
8	5C-F004	Knob	3	1/2"-12UNC-25ℓ
9	5E-A010	Washer	29	id 3/8" × od 20 × 2t
10	5C-A359	Hex. Hd. Scr.	2	3/8"-16UNC-2-1/2"ℓ
11	5C-F005	Knob	2	3/8"-16UNC-80ℓ
12	5D-D002	Wing Nut	2	3/8"-16UNC
13	SB-S18	Spring Holder	1	
14	5C-A358	Hex. Hd. Scr.	1	3/8"-16UNC-1-5/8"ℓ
15	5D-A004	Hex. Nut	10	3/8"-16UNC
16	SB-S29	Spring	1	
17	SB-S17	Cover Plate	2	
18	5C-B208	Soc. Hd. Cap Bolt	1	5/16"-18UNC-2"ℓ
19	SB-S13	Idler Pulley Holder	1	
20	5C-B103	Soc. Hd. Cap. Scr.	4	1/4"-20UNC-5/8"ℓ
21	SB-S22	Front Table	1	
22	SB-S23	Front Steel Plate	1	
23	SB-S24	Table Angle	2	
24	5C-A354	Hex. Hd. Scr.	17	3/8"-16UNC-1"ℓ
25	5C-A352	Hex. Hd. Scr.	2	3/8"-16UNC-5/8"ℓ
26	SB-S12	Hinge Holder.	1	
27	SB-S15	Spring adjusting Block	1	
28	SB-S16	Spring	1	
29	SB-S09	Switch Support	1	
30	5C-F006	Knobs Bolt	2	5/16"-18UNC-15ℓ
31	5F-A015	Retaining Ring	1	STW-25
32	5H-A111	Bearing	2	#6205-LB
33	SB-S08	Safety Guard	1	
34	SB-S10	Pulley	1	
35	5J-E001	abrasive-Belt	1	#6205-LB
36	SB-S05	Guard Support	2	
37	SB-S11	Pulley Shaft	1	
38	SB-S06	Steel Platen	1	
39	SB-S28	Graphite	1	.6" × 1100ℓ
40	5F-A003	Retaining Ring	1	STW-12
41	SB-S14	Hinge Shaft	1	
42	SB-S25	Support Angle	1	
43	SB-S01	Base	1	
44	5C-F007	Table Adjusting Knob	1	1/2"-12UNC-200ℓ
45	5C-A101	Hex. Hd. Scr.	8	1/4"-20 UNC-3/8"ℓ
46	5E-A005	Washer	8	id 1/4" × od 16 × 0.8t
47	5C-A202	Hex. Hd. Scr.	2	5/16"-18UNC-5/8"ℓ
48	5E-A007	Washer	2	id 5/16" × od 16 × 1.5t
49	SB-S27	Back Cover	1	
50	5A-G002	Wing Scr.	4	1/4"-20 UNC-5/8"ℓ
51	SB-S07	Clamping Piece	2	
52	5A-B204	Soc. Hd. Cap Scr.	1	5/16"-18UNC-1"ℓ
53	SB-S03	Contact Wheel	1	
54	5A-A410	Hex. Hd. Scr.	4	1/2"-12UNC-2-1/2"ℓ
55	5D-A005	Hex. Nut	4	1/2"-12UNC
56	5C-C103	Set : Scr.	2	5/16"-18UNC-3/8"ℓ
57A	SB-Y02	Motor (2HP 3PH)	1	
57B	SB-Y01	Motor (1-1/2HP 1PH)	1	
58		Key	1	7x7x 70ℓ
59	SB-S04	Dusthood	1	
60	SB-Y03	Push Button Ass'y	1 Set	
61	SB-Y06	Switch Box	1 Set	
62	PA-C11	Washer	1	
63A	SB-Y06A	Contact & Thermal Overload Relay	1 Set	2HP 3PH
63B	SB-Y06B	Contact & Thermal Overload Relay	1 Set	1-1/2HP 1PH
64	SB-Y11	Transformer (Optional)	1	

HES-6108 Edge Sander

White Replacement Parts

FILE



Please use these part numbers when ordering a white replacement part.

Index No.	Part No.	Description	Size	Qty.
7	SB-S21W	Table Support		1
13	SB-S18W	Spring Holder		1
23	SB-S24W	Table Angle		2
26	SB-S12W	Hinge Holder		1
29	SB-S09W	Switch Support		1
33	SB-S08W	Safety Guard		1
38	SB-S06W	Steel Platen		1
42	SB-S25W	Support Angle		1
43	SB-S01W	Base		1
49	SB-S27W	Back Cover		1
59	SB-S04W	Dusthood		1