

Cordl Perc Screwdr - 3 601 JF1 310 - HDH183

www.powertools-aftersaleservice.com



BOSCH

| Item | Part Number | Description | Illustration | Price | Quantity | Price Group |
|----------|---------------|--------------------------------------|--------------|-------|----------|-------------|
| 1 | 2 609 101 604 | Housing | 1 | -,- | 1 | 32 |
| 3 | 2 609 170 278 | O-Ring | 1 | -,- | 1 | 10 |
| 4 | 1 607 233 5AB | Electronics Module | 1 | -,- | 1 | 47 |
| 4/3 | 1 607 503 182 | Printed-Board Assembly | 1 | -,- | 1 | 19 |
| 5 | 2 609 101 551 | Adjusting lever | 1 | -,- | 1 | 10 |
| 9 | 1 601 11A 3DV | Manufacturer's nameplate LITHIUM-ION | 1 | -,- | 1 | 13 |
| 25 | 2 609 112 024 | Keyless Chuck | 1 | -,- | 1 | 40 |
| 45 | 2 609 199 916 | Gear Box | 1 | -,- | 1 | 48 |
| 46 | 1 609 280 477 | Compression Spring | 1 | -,- | 1 | 11 |
| 47 | 2 609 101 490 | Lens | 1 | -,- | 1 | 11 |
| 101 | 2 609 110 353 | Torx Oval-Head Screw | 1 | -,- | 13 | 10 |
| 106 | 2 609 101 581 | Color clip | 1 | -,- | 1 | 11 |
| 107 | 2 603 421 229 | Countersunk-Head Screw M6x23 | 1 | -,- | 1 | 11 |
| 650 | 2 609 199 662 | Auxiliary Handle | 2 | -,- | 1 | 29 |
| 651 | 2 607 336 819 | Battery Pack USA BAT620 18V 4,0Ah | 2 | -,- | 1 | 51 |
| 651/1/22 | 2 601 115 537 | Sticker | 2 | -,- | 1 | 13 |
| 653 | 2 607 225 927 | Charger USA BC 1880 CV 13,3-18V/120V | 2 | -,- | 1 | 47 |
| 802 | 2 609 199 943 | Motor Spare Parts Set | 1 | -,- | 1 | 43 |
| 804 | 1 609 280 820 | Contact retainer 18V | 1 | -,- | 1 | 18 |
| 808 | 2 609 137 115 | Nameplate | 1 | -,- | 1 | 13 |
| 857 | 2 609 101 554 | Switch Slide | 1 | -,- | 1 | 12 |
| 858 | 2 609 112 036 | Switch Spring | 1 | -,- | 1 | 10 |

Illustration - Type E

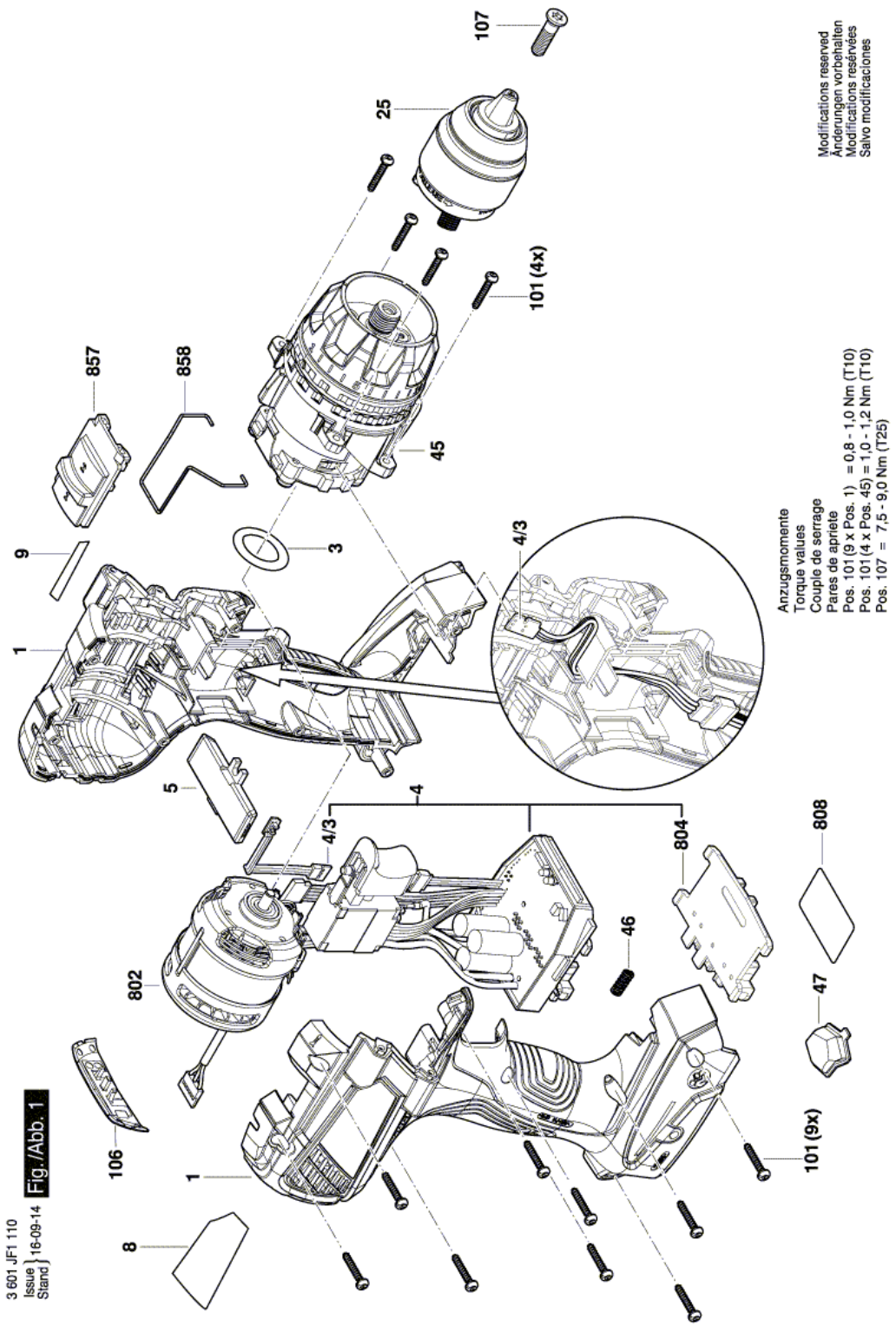
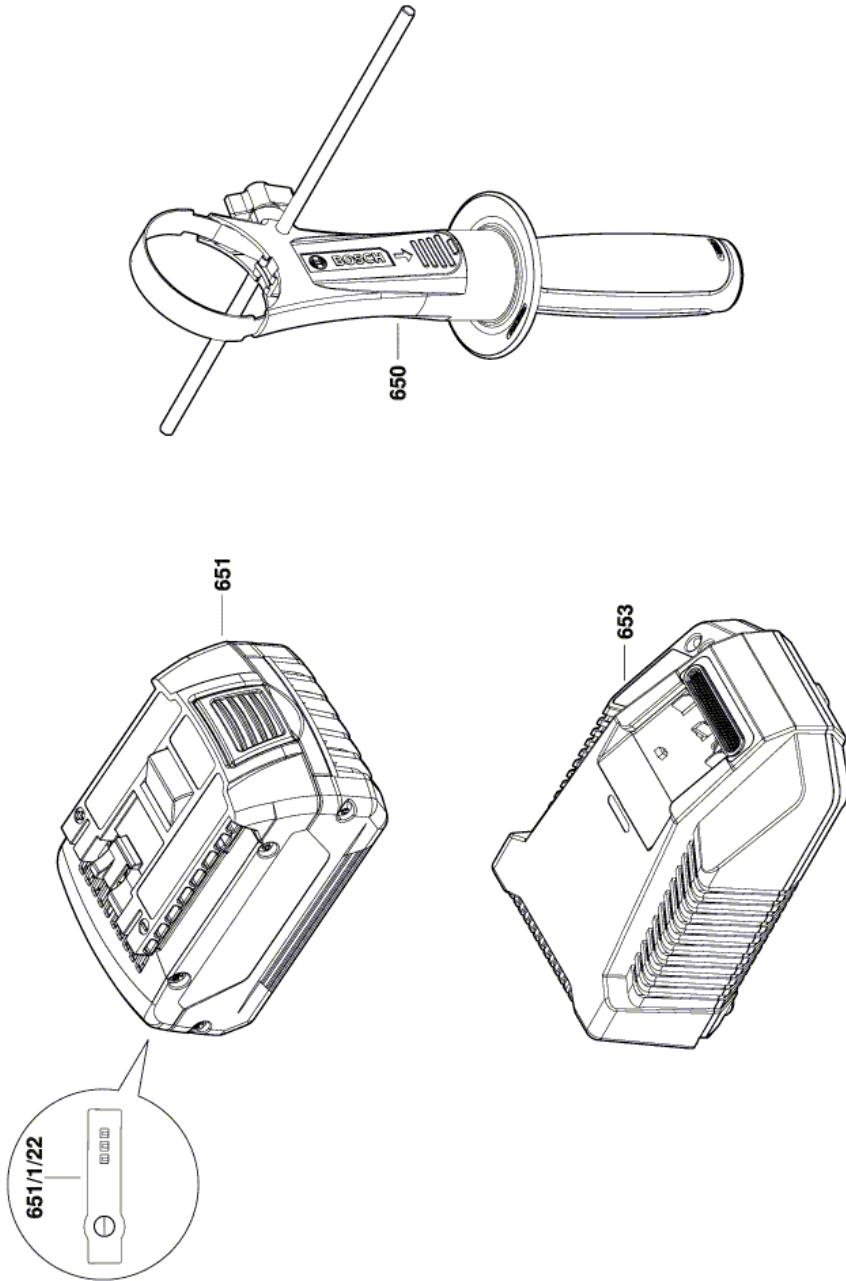


Illustration - Type E



Information subject to change without further notice.