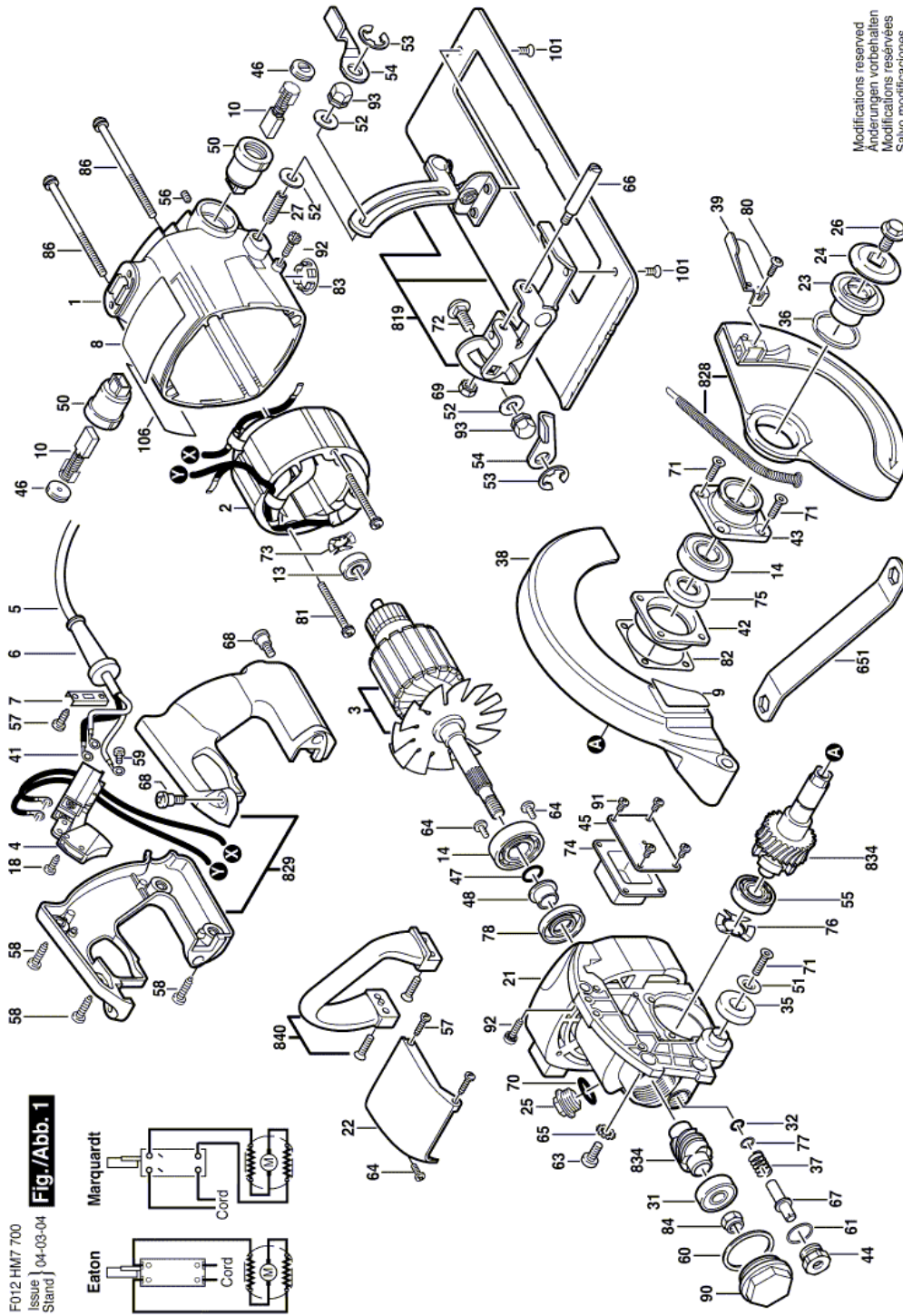


Circular hand saw - F 012 HM7 772 - HD77M-72

Item	Part Number	Description	Illustration	Price	Quantity	Price Group
1	2 610 906 405	Housing	1	-,-	1	-
2	2 610 907 821	Field 120V	1	-,-	1	38
3	2 610 931 892	Armature 120V	1	-,-	1	44
4	2 610 321 608	On-Off Switch	1	-,-	1	32
5	1 619 X02 235	Cord	1	-,-	1	-
6	1 619 X08 308	Grommet	1	-,-	1	-
7	2 610 320 492	Clamp	1	-,-	1	-
8	2 610 909 937	Nameplate	1	-,-	1	-
9	2 610 906 704	Manufacturer's nameplate	1	-,-	1	-
10	1 619 X01 351	Carbon-Brush Set	1	-,-	2	23
13	2 610 017 348	Deep-Groove Ball Bearing	1	-,-	1	23
14	2 610 024 748	Ball Bearing	1	-,-	2	22
18	2 610 901 971	Screw	1	-,-	1	10
21	2 610 906 401	Gear Housing	1	-,-	1	-
22	2 610 303 855	Cover	1	-,-	1	15
23	1 619 X01 249	Washer	1	-,-	1	18
24	1 619 X02 969	Washer	1	-,-	1	21
25	2 610 023 384	Lock	1	-,-	1	11
26	2 610 000 050	Collar bolt	1	-,-	1	14
27	2 610 315 286	Bolt	1	-,-	1	11
31	2 610 017 875	Ball Bearing	1	-,-	1	20
32	1 619 X03 779	O-Ring	1	-,-	1	-
35	2 610 319 494	End stop	1	-,-	1	12
36	2 610 341 359	Spring retaining ring	1	-,-	1	12
37	2 610 023 394	Spring	1	-,-	1	11
38	1 619 X01 173	Upper guard	1	-,-	1	-
39	1 619 X01 237	Lever	1	-,-	1	-
41	2 610 316 596	Terminal	1	-,-	3	11
42	2 610 352 115	Pivot Plate	1	-,-	1	18
43	2 610 352 091	Holding Plate	1	-,-	1	23
44	2 610 023 324	Pin	1	-,-	1	13
45	2 610 023 336	Cover	1	-,-	1	15
46	1 619 X01 268	Device cap	1	-,-	2	10

Item	Part Number	Description	Illustration	Price	Quantity	Price Group
47	2 610 044 638	O-Ring	1	-,-	1	11
48	2 610 023 330	Seal	1	-,-	1	-
50	2 610 329 940	Carbon Brush Holder	1	-,-	2	21
51	2 610 004 341	Washer	1	-,-	1	11
52	2 610 912 616	Washer	1	-,-	3	10
53	2 610 968 747	Spring retaining ring	1	-,-	2	10
54	2 610 968 745	Lever	1	-,-	2	13
55	2 610 000 166	Ball Bearing	1	-,-	1	-
56	2 610 027 039	Set screw	1	-,-	2	-
57	2 610 315 299	Screw	1	-,-	4	11
58	2 610 315 380	Screw	1	-,-	4	11
59	1 619 X03 644	Screw	1	-,-	1	-
60	2 610 023 331	Washer	1	-,-	1	11
61	2 610 025 067	Washer	1	-,-	1	11
63	2 610 329 955	Screw	1	-,-	2	11
64	1 619 X01 786	Contact Screw	1	-,-	4	10
65	2 610 306 355	Washer	1	-,-	2	11
66	2 610 319 932	Bolt	1	-,-	1	12
67	2 610 325 655	Pin	1	-,-	1	11
68	2 610 353 799	Screw	1	-,-	4	11
69	2 610 356 026	Nut	1	-,-	1	11
70	1 616 B10 364	O-Ring	1	-,-	1	-
71	2 610 027 002	Screw	1	-,-	5	11
72	2 610 016 325	Bolt	1	-,-	1	10
73	2 610 004 459	Spring Washer	1	-,-	1	11
74	2 610 023 335	Insert	1	-,-	1	13
75	2 610 025 245	Seal	1	-,-	1	16
76	2 610 931 237	Spring Washer	1	-,-	1	10
77	2 610 017 016	Washer	1	-,-	1	11
78	2 610 329 927	Seal	1	-,-	1	15
80	1 619 X06 749	Screw	1	-,-	1	10
81	2 610 329 950	Screw	1	-,-	2	11
82	2 610 023 334	Sealing Plate	1	-,-	1	11
83	2 610 350 005	Plug	1	-,-	1	11
84	2 610 318 324	Nut	1	-,-	1	11
86	2 610 329 953	Screw	1	-,-	4	11
90	2 610 923 336	Bearing cover	1	-,-	1	-
91	2 610 353 289	Tapping Screw	1	-,-	4	11
92	2 610 992 206	Hex Socket Head Cap Screw	1	-,-	2	12
93	1 619 X01 283	Nut	1	-,-	2	14
101	2 610 906 408	Screw	1	-,-	7	10
106	2 610 906 705	Sticker	1	-,-	1	-
651	1 619 X01 144	Socket wrench	1	-,-	1	-
819	1 619 X01 356	Base Unit	1	-,-	1	-
828	1 619 X01 362	Knife Guard	1	-,-	1	-
829	1 619 X01 364	Set Of Handles	1	-,-	1	-
834	1 619 X02 374	Set Of Gears	1	-,-	1	38
840	1 619 X01 423	Auxiliary Handle	1	-,-	1	25

Illustration - Type E



Information subject to change without further notice.