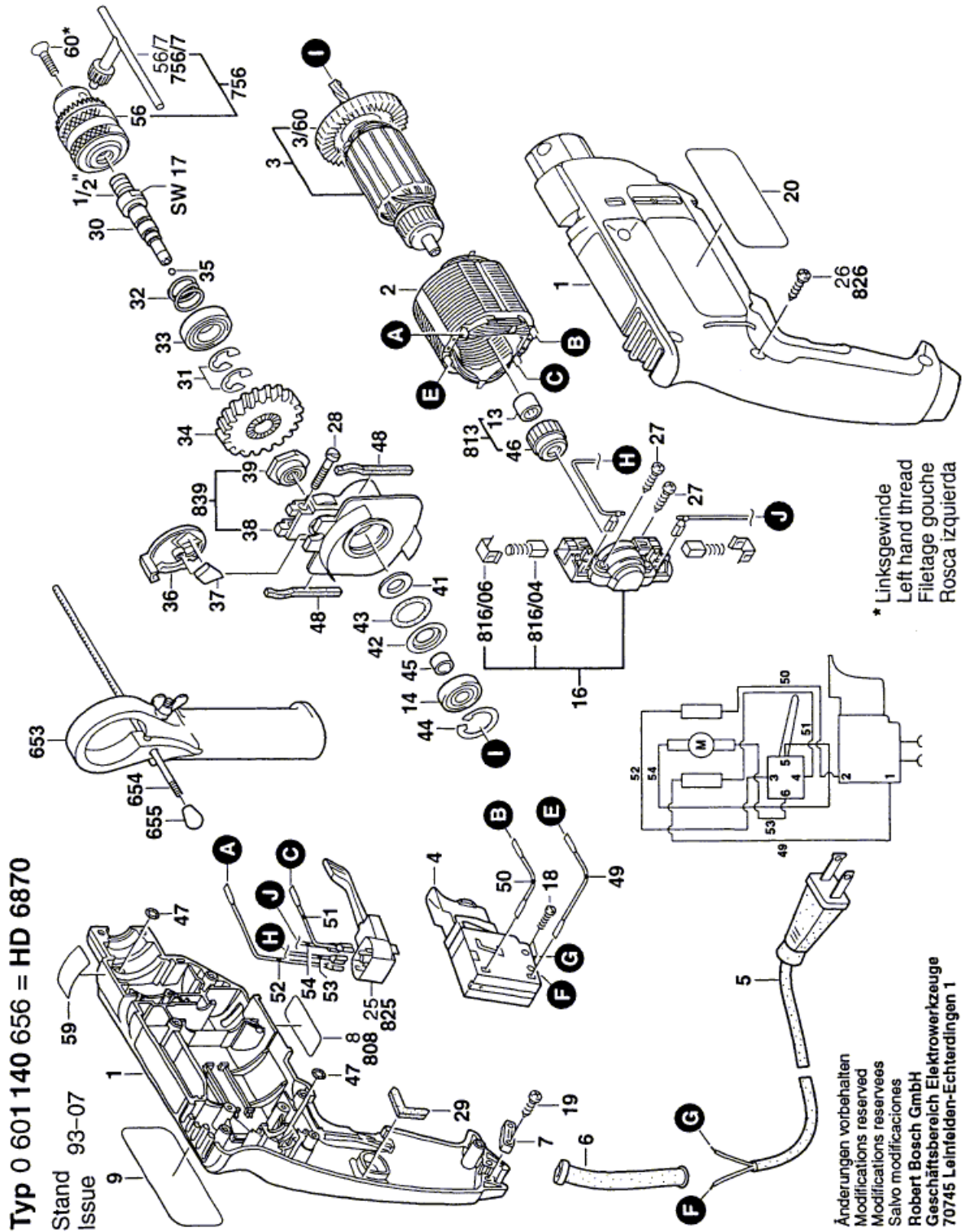


Percussion Drill - 0 601 140 656 - HD6870 TYPE 1

Item	Part Number	Description	Illustration	Price	Quantity	Price Group
1	2 605 104 462	Housing Section GRAY	1	-,-	1	30
2	2 604 220 440	Field 115V	1	-,-	1	32
3	2 604 011 051	Armature 110-120V	1	-,-	1	39
3/60	2 606 610 029	Fan	1	-,-	1	11
4	2 607 200 332	On-Off Switch	1	-,-	1	37
5	2 604 460 188	Power supply cord USA/CDN 2,68m 2 x 0,82mm SJ 18/2	1	-,-	1	26
6	2 600 707 060	Grommet Ø11,6-Ø12,5x84 MM	1	-,-	1	13
7	2 601 035 001	Cable Clip	1	-,-	1	11
9	2 601 118 513	Manufacturer's nameplate SUNNY SIDE	1	-,-	1	-
14	2 600 905 039	Deep-Groove Ball Bearing 9x24x7	1	-,-	1	24
16	2 609 992 627	Brush Plate	1	-,-	1	26
18	2 603 410 001	Socket head cap screw M3x6,5-4.8	1	-,-	2	11
19	2 603 490 022	Torx Oval-Head Screw 4x16	1	-,-	12	10
20	2 601 118 514	Reference Plate SHADOW SIDE	1	-,-	1	-
27	2 603 490 017	Torx Oval-Head Screw 3x10	1	-,-	2	10
28	2 910 021 134	Socket head cap screw DIN 84-BM4x30-8.8	1	-,-	2	10
29	2 601 022 000	Damping Plate	1	-,-	1	11
30	2 606 135 033	Drilling Spindle 1/2",M6 LEFTHAND THREADS	1	-,-	1	24
31	2 600 118 002	Locking Washer 0,8 MM	1	-,-	1	11
31	2 600 118 001	Locking Washer 0,6 MM	1	-,-	1	11
31	2 600 118 006	Locking Washer 0,3 MM	1	-,-	1	11
32	2 604 617 000	Compression Spring	1	-,-	1	11
33	1 900 905 122	Deep-Groove Ball Bearing 15x32x9	1	-,-	1	22
34	2 606 320 050	Cylindrical Gear Z=42	1	-,-	1	27
35	1 903 230 010	Ball DIN 5401-5,5MM-III-ST	1	-,-	1	10
36	2 601 990 001	Indexing Disk BLACK	1	-,-	1	11
37	2 601 074 003	Pressure Plate	1	-,-	1	11
39	2 606 490 056	Screen Disc	1	-,-	1	22
41	2 600 108 000	Felt Disc	1	-,-	1	11
42	2 600 500 014	Cupped Washer	1	-,-	1	11
43	1 900 210 117	O-Ring 18x3 MM	1	-,-	1	15
44	2 916 660 008	Spring retaining ring DIN 472-24x1,2 MM	1	-,-	1	11

Item	Part Number	Description	Illustration	Price	Quantity	Price Group
45	2 600 400 008	Receptacle	1	-,-	1	11
47	1 900 210 000	O-Ring 5,0x1,5 MM	1	-,-	2	11
48	2 601 005 011	Felt Strip	1	-,-	2	11
49	2 604 448 060	Cable L=173 MM WHITE	1	-,-	1	13
50	2 604 448 045	Cable L=98 MM BLACK	1	-,-	1	11
51	2 604 448 034	Connecting Cable L=88 MM WHITE	1	-,-	1	11
52	2 604 448 132	Connecting Cable L=103 MM BLUE	1	-,-	1	11
53	2 604 448 115	Connecting Cable L=73 MM WHITE	1	-,-	1	11
59	2 601 110 580	Sticker	1	-,-	1	11
60	2 603 421 209	Countersunk-Head Screw M6x31 MM LEFTHAND THREADS	1	-,-	1	11
653	2 602 025 057	Auxiliary Handle BLACK	1	-,-	1	25
653/20	2 911 001 211	Hex Screw M6x45 DIN 931-8.8	N/A	-,-	1	11
653/30	2 915 191 006	Wing Nut M6 DIN 315-G-GTW-40	N/A	-,-	1	11
655	2 600 510 004	Capsule	1	-,-	1	11
754	2 607 010 026	Depth-Gauge	N/A	-,-	1	-
756	1 608 571 061	Key Chuck 1/2"-20 UNF	1	-,-	1	-
756/7	2 607 950 007	Chuck Wrench SG2	1	-,-	1	18
808	1 601 106 032	Nameplate 26x52 MM	1	-,-	1	13
813	2 600 917 902	Needle bearing	1	-,-	1	20
816/04	2 604 321 916	Carbon-Brush Set	1	-,-	1	19
816/06	2 601 329 051	Ratchet Cap	1	-,-	2	11
816/06	2 601 322 013	Ratchet Cap	1	-,-	2	11
825	2 607 200 231	Change-Over Switch	1	-,-	1	25
839	2 605 807 915	Bearing Bracket	1	-,-	1	29

Illustration - Type E



Information subject to change without further notice.