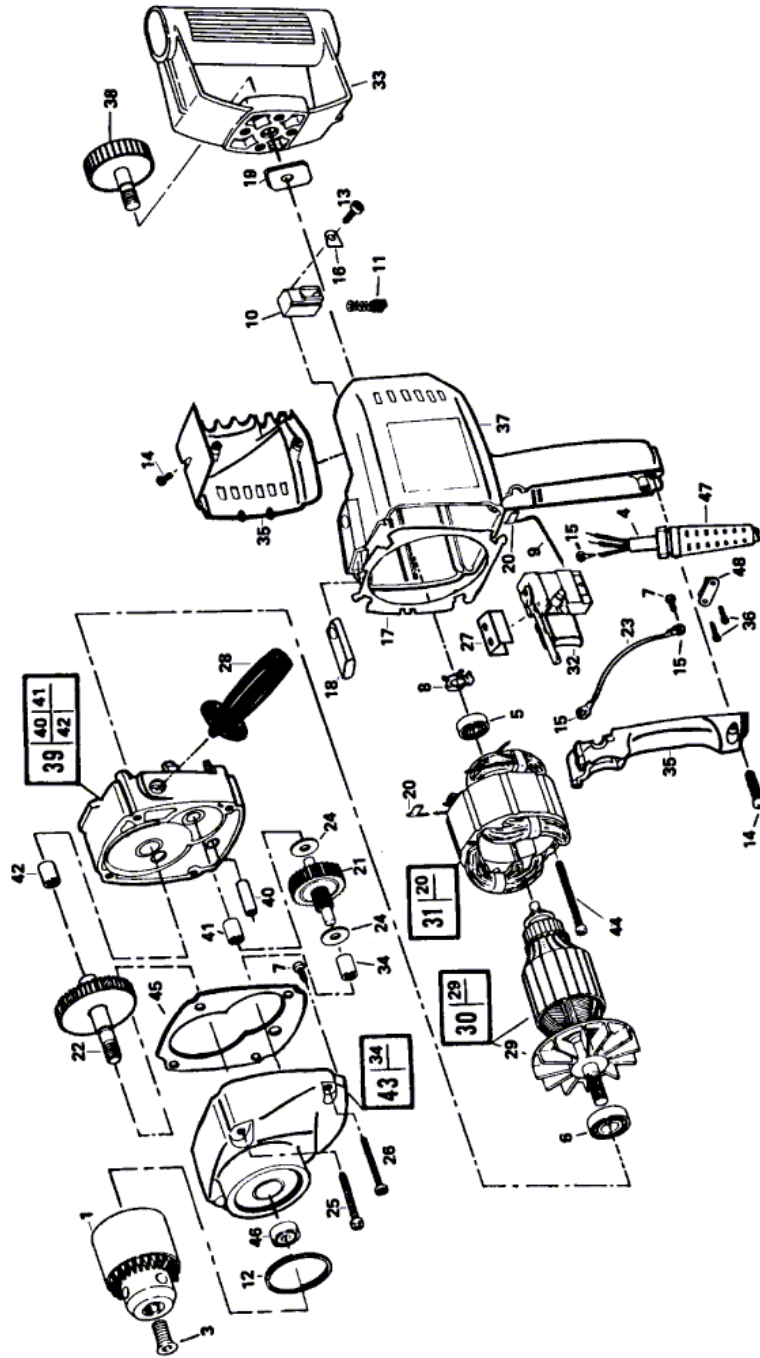


Drill - F 012 674 000 - HD 6740 TYPE 1

Item	Part Number	Description	Illustration	Price	Quantity	Price Group
1	2 610 071 862	Chuck Wrench	1	-,-	1	-
3	2 610 318 900	Screw	1	-,-	1	-
4	2 610 910 169	Cord	1	-,-	1	-
5	2 610 017 348	Deep-Groove Ball Bearing	1	-,-	1	23
6	2 610 020 373	Ball Bearing	1	-,-	1	-
7	2 610 021 846	Screw	1	-,-	1	-
8	2 610 025 573	Washer	1	-,-	1	-
9	2 610 038 524	Nameplate	1	-,-	1	-
10	2 610 317 060	Brush Holder	1	-,-	2	-
11	2 610 318 347	Carbon Brush	1	-,-	2	-
12	2 610 067 686	Retaining snap ring	1	-,-	1	-
13	2 610 315 386	Screw ST3,9x19	1	-,-	2	11
14	2 610 321 337	Screw	1	-,-	4	-
15	2 610 316 596	Terminal	1	-,-	1	11
16	2 610 317 897	Washer	1	-,-	2	-
17	2 610 318 772	Baffle	1	-,-	1	-
18	2 610 318 773	Plate	1	-,-	1	-
19	2 610 318 774	Plate	1	-,-	1	-
20	2 610 068 648	Terminal	1	-,-	1	-
21	2 610 318 783	Conversion Gear	1	-,-	1	-
22	2 610 320 440	Conversion Gear	1	-,-	1	-
23	2 610 318 786	Lead Wire	1	-,-	1	-
24	2 610 318 787	Washer	1	-,-	2	-
25	2 610 318 789	Screw	1	-,-	2	-
26	2 610 318 790	Screw	1	-,-	2	-
27	2 610 318 785	Switch Cover	1	-,-	1	-
28	2 610 325 085	Handle	1	-,-	1	-
29	2 610 067 607	Fan	1	-,-	1	-
30	2 610 323 588	Armature 120V	1	-,-	1	-
31	2 610 317 780	Stator	1	-,-	1	-
32	2 610 318 348	Toggle Switch	1	-,-	1	-
33	2 610 905 368	Handle	1	-,-	1	-
34	2 610 006 811	Bearing	1	-,-	1	-

Item	Part Number	Description	Illustration	Price	Quantity	Price Group
35	2 610 905 363	Cover	1	-,-	1	-
36	2 610 315 299	Screw	1	-,-	1	11
37	2 610 905 369	Housing	1	-,-	1	-
38	2 610 905 366	Knob	1	-,-	1	-
39	2 610 318 780	Bearing Housing	1	-,-	1	-
40	2 610 006 633	Bolt	1	-,-	1	-
41	2 610 004 920	Needle-Roller Bearing	1	-,-	1	-
42	2 610 009 061	Needle-Roller Bearing	1	-,-	1	-
43	2 610 318 782	Front Housing	1	-,-	1	-
44	2 610 318 791	Screw	1	-,-	2	-
45	2 610 328 477	Sealing Plate	1	-,-	1	-
46	2 610 024 748	Ball Bearing	1	-,-	1	22
47	2 610 313 327	Grommet	1	-,-	1	14
48	2 610 064 973	Cable Grip	1	-,-	1	11

Illustration - Type E



F012674000
Stand Issue } 00-06-01
Fig./Abb. 1

Änderungen vorbehalten
Modifications reserved
Modificacions reserves
Salvo modificaciones

Information subject to change without further notice.