

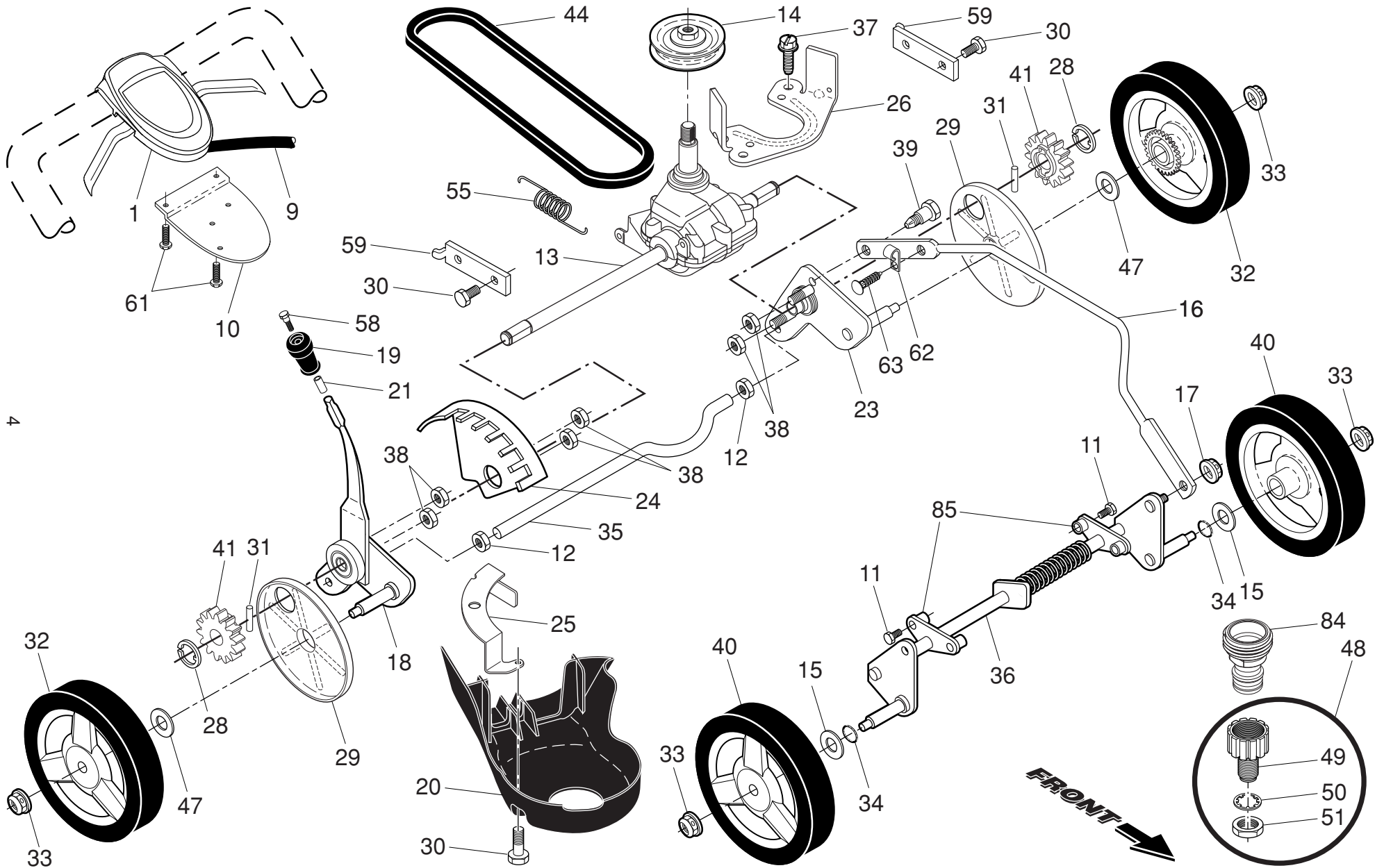


# HUSQVARNA ROTARY LAWN MOWER - - MODEL NO. HD600L (96143008301) PRODUCT NO. 961 43 00-83

KEY NO.	PART NO.	DESCRIPTION	KEY NO.	PART NO.	DESCRIPTION
1	532 42 76-58	Upper Handle Assembly (Includes Foam Grip)	41	532 15 04-06	Screw, Dogpoint 3/8-16 x 1-1/8
2	532 42 09-51	Cable, Engine Zone Control	44	532 44 72-52	Kit, Lawn Mower Housing
3	532 43 00-34	Bracket, Upstop	46	532 42 17-82	Blade Adapter / Pulley
6	532 18 23-98	Handle Knob, Star	47	532 42 18-25	Blade, 22"
7	532 17 88-48	Screw #10-16 x 5/8	48	532 85 10-74	Washer, Hardened
8	532 43 34-30	Control Bar	49	532 85 02-63	Washer, Helical
9	532 43 13-90	Rear Door Assembly	50	532 85 10-84	Screw, Machine, Hex Head 3/8-24 x 1-3/8 Grade 8
11	532 42 55-75	Hairpin, Door/Handle Pivot	51	532 43 71-31	Front Baffle
12	<b>532 44 50-19</b>	Handle Knob, Standard	53	532 43 73-45	Screw
13	532 43 75-16	Plug, Lower Handle Bar	56	817 41 13-12	Screw, Hex Washer Head #13 x 3/4
14	532 43 71-32	Clipping Deflector	57	532 15 53-77	Nut, Hex
15	532 43 72-73	Handle, Clipping Deflector	58	532 44 11-97	Lower Handle
17	532 43 12-38	Rear Baffle	59	532 19 15-74	Handle Bolt
18	532 13 20-04	Keps Locknut 1/4-20	62	532 42 57-11	Belt Retainer
19	532 19 47-88	Rope Guide	64	- - -	Engine, Kohler, Model Number <b>XT675-2105</b> (For engine service and replacement parts, call Kohler at 1-800-544-2444)
20	532 44 45-01	Rear Skirt	70	532 18 27-48	Grip, Foam
21	532 41 99-49	Spring, Rear Door, LH, Black	83	532 75 00-97	Screw, Hex Washer Head
22	532 14 18-41	Screw, Panhead, Torx #20	84	532 42 81-24	Fastener, Push
24	532 41 99-48	Spring, Rear Door, RH, Grey	85	532 43 45-30	Mounting Bracket, Rear Skirt
26	532 41 99-45	Screw, Rear Door/Handle Pivot	96	532 19 79-91	Clip, Cable
28	872 25 05-05	Bolt, Carriage 5/16-18 x 5/8	97	532 43 48-93	Belt Keeper
30	532 43 85-84	Grassbag	99	532 43 73-89	Front Shroud Assembly
31	532 41 99-51	Frame, Grass Catcher	--	532 44 58-71	Operator's Manual, English / French
34	532 43 81-34	Bracket, Grassbag			
37	817 00 05-10	Screw			
39	532 44 25-31	Handle Bracket, LH			
40	532 44 05-26	Handle Bracket, RH			

**NOTE:** All component dimensions given in U.S. inches. 1 inch = 25.4 mm. **IMPORTANT:** Use only Original Equipment Manufacturer (O.E.M.) replacement parts. Failure to do so could be hazardous, damage your lawn mower and void your warranty.

**HUSQVARNA ROTARY LAWN MOWER - - MODEL NO. HD600L (96143008301) PRODUCT NO. 961 43 00-83**



# HUSQVARNA ROTARY LAWN MOWER - - MODEL NO. HD600L (96143008301) PRODUCT NO. 961 43 00-83

KEY NO.	PART NO.	DESCRIPTION	KEY NO.	PART NO.	DESCRIPTION
1	532 43 09-72	Drive Control Assembly (Includes Cable)	32	532 44 28-23	Wheel & Tire Assembly, Rear
9	532 43 16-50	Cable, Drive	33	532 40 91-48	Nut, Flangelock 3/8-16
10	532 43 27-90	Mounting Bracket, Drive Control	34	532 19 74-80	O-Ring
11	817 41 13-12	Screw	35	532 43 05-98	Axle, Rear
12	873 94 08-00	Nut, Hex	36	532 44 22-07	Axle, Front
13	532 43 45-64	Gearcase Assembly, Complete	37	532 16 34-09	Screw, Hi-Lo Thread, 12 x 5/8
14	532 19 41-28	Pulley, Drive	38	532 19 17-30	Nut, Hex
15	532 08 83-48	Washer, Flat	39	532 40 70-59	Bolt
16	532 43 00-30	Rod, Connecting	40	532 44 28-22	Wheel & Tire Assembly, Front
17	532 75 11-53	Nut, Hex	41	532 40 48-35	Pinion
18	532 43 85-36	Selector Assembly	44	532 42 15-27	Belt, Drive
19	532 43 39-96	Knob, Wheel Adjuster	47	532 06 77-25	Washer, Flat
20	532 42 70-23	Debris Shield	48	532 43 84-89	Kit, Water Washout Assembly
21	532 43 52-42	Anchor	49	532 43 49-94	Fitting, Water Washout
23	532 43 78-70	Wheel Axle Assembly, LH	50	532 41 55-85	Washer, Lock, Internal Tooth
24	532 43 35-11	Bracket, Height Adjustment	51	532 41 55-86	Locknut, Hex, with O-Ring
25	<b>532 42 60-65</b>	Mounting Bracket, Debris Shield	55	532 40 65-58	Spring, Tension
26	532 42 60-66	Belt Keeper	58	532 43 52-41	Bolt, Shoulder
28	812 00 00-58	E-Ring 7/16	59	532 44 21-13	Support Bracket
29	532 18 94-03	Cover, Dust, Wheel	61	532 18 16-98	Screw
30	817 00 05-10	Screw, Hex Head	62	532 19 79-91	Clip, Cable
31	532 40 48-45	Pawl, Drive	63	532 42 81-24	Fastener, Push
			84	532 41 64-05	Adapter, Quick-Connect Coupling
			85	532 43 90-77	Support Bracket, Front Axle

**NOTE:** All component dimensions given in U.S. inches. 1 inch = 25.4 mm. **IMPORTANT:** Use only Original Equipment Manufacturer (O.E.M.) replacement parts. Failure to do so could be hazardous, damage your lawn mower and void your warranty.