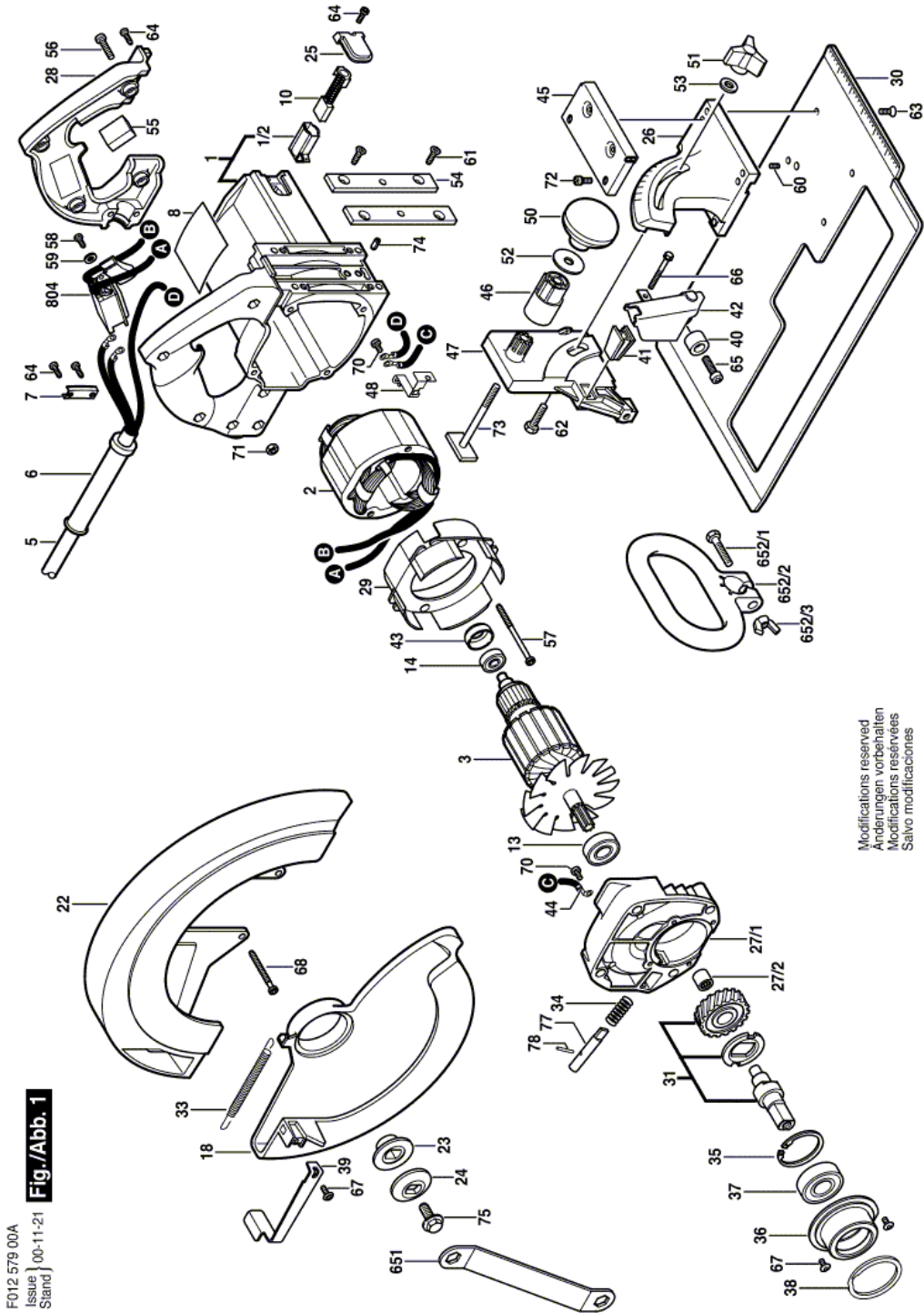


## Circular hand saw - F 012 579 00A - HD 5790

Item	Part Number	Description	Illustration	Price	Quantity	Price Group
1	2 610 905 317	Housing	1	-,-	1	-
1/2	2 610 357 063	Holder	1	-,-	1	-
2	2 610 357 059	Stator 120V	1	-,-	1	-
3	2 610 326 117	Armature 120V	1	-,-	1	-
5	2 610 910 167	Power supply cord	1	-,-	1	-
6	2 610 022 722	Grommet	1	-,-	2	15
7	2 610 326 199	Clamp	1	-,-	1	-
8	2 610 904 570	Manufacturer's nameplate	1	-,-	1	-
10	2 610 326 128	Carbon Brush	1	-,-	1	-
13	2 610 015 361	Deep-Groove Ball Bearing	1	-,-	1	28
14	2 610 017 348	Deep-Groove Ball Bearing	1	-,-	1	23
18	2 610 326 105	Pivoting Blade Guard	1	-,-	1	-
22	2 610 326 111	Upper Housing	1	-,-	1	-
23	2 610 326 122	Washer	1	-,-	1	-
24	2 610 326 123	Washer	1	-,-	1	-
25	2 610 326 036	Brush-Cover	1	-,-	1	-
26	2 610 415 513	Support	1	-,-	1	-
27/1	2 610 326 048	Gear Housing	1	-,-	1	-
27/2	2 610 011 012	Needle-Roller Bearing	1	-,-	2	-
28	2 610 905 314	Handle Cover	1	-,-	1	-
29	2 610 326 193	Baffle	1	-,-	1	-
30	2 610 326 124	Guide Piece	1	-,-	4	-
31	2 610 326 191	Conversion Gear	1	-,-	1	-
33	2 610 355 551	Spring	1	-,-	1	-
34	2 610 018 274	Spring	1	-,-	1	-
35	2 610 325 747	Retaining snap ring	1	-,-	1	-
36	2 610 415 500	Hub	1	-,-	1	-
37	2 610 009 030	Bearing	1	-,-	1	-
38	2 610 326 001	Retaining snap ring	1	-,-	1	-
39	2 610 326 002	Lever	1	-,-	1	-
40	1 619 P01 532	End stop	1	-,-	1	11
41	2 610 326 148	Adapter	1	-,-	1	-
42	2 610 350 689	Cover	1	-,-	1	-

Item	Part Number	Description	Illustration	Price	Quantity	Price Group
43	1 619 P01 127	Rubber Ring	1	-,-	1	10
44	2 610 321 435	Connecting Cable	1	-,-	1	-
45	2 610 326 145	Guide	1	-,-	1	-
46	2 610 326 126	Lengthening Piece	1	-,-	1	-
47	2 610 326 034	Bracket	1	-,-	2	-
48	2 610 326 016	Bracket Holder	1	-,-	1	-
50	2 610 326 017	Knob	1	-,-	1	20
51	2 610 326 018	Knob	1	-,-	2	-
52	2 610 320 493	Washer	1	-,-	1	-
53	2 610 326 090	Washer	1	-,-	2	-
54	2 610 326 081	Strip	1	-,-	1	-
55	2 610 347 480	Dust Protection	1	-,-	1	-
56	2 610 348 084	Screw	1	-,-	4	-
57	2 610 348 086	Screw	1	-,-	6	-
58	2 610 346 204	Screw	1	-,-	1	-
59	1 619 X03 644	Screw	1	-,-	1	-
60	2 610 326 107	Screw	1	-,-	1	-
61	2 610 326 028	Screw	1	-,-	1	-
62	2 610 015 253	Collar bolt	1	-,-	2	-
63	2 610 327 528	Screw	1	-,-	2	-
64	2 610 315 299	Screw	1	-,-	1	11
65	2 610 348 083	Screw	1	-,-	1	-
66	2 610 326 194	Screw	1	-,-	1	-
67	1 619 X01 786	Contact Screw	1	-,-	6	10
68	2 610 348 085	Screw	1	-,-	1	-
70	1 619 X03 644	Screw	1	-,-	8	-
71	2 610 352 351	Self-locking nut	1	-,-	1	-
72	2 610 043 917	Screw	1	-,-	2	-
73	2 610 326 127	Collar bolt	1	-,-	1	-
74	2 610 326 011	Bolt	1	-,-	1	-
75	2 610 326 084	Stud	1	-,-	1	-
77	2 610 326 013	Bolt	1	-,-	1	-
78	2 610 018 273	Bolt	1	-,-	1	-
651	1 619 X01 144	Socket wrench	1	-,-	1	-
652/1	2 610 340 227	Screw	1	-,-	1	-
652/2	2 610 343 523	Auxiliary Handle	1	-,-	1	-
652/3	2 610 029 562	Wing Nut	1	-,-	1	12
804	2 610 321 607	Toggle Switch	1	-,-	1	-

Illustration - Type E



F012 579 00A  
Issue 00-11-21  
Stand  
**Fig./Abb. 1**

Modifications reserved  
Änderungen vorbehalten  
Modifications réservées  
Salvo modificaciones

Information subject to change without further notice.