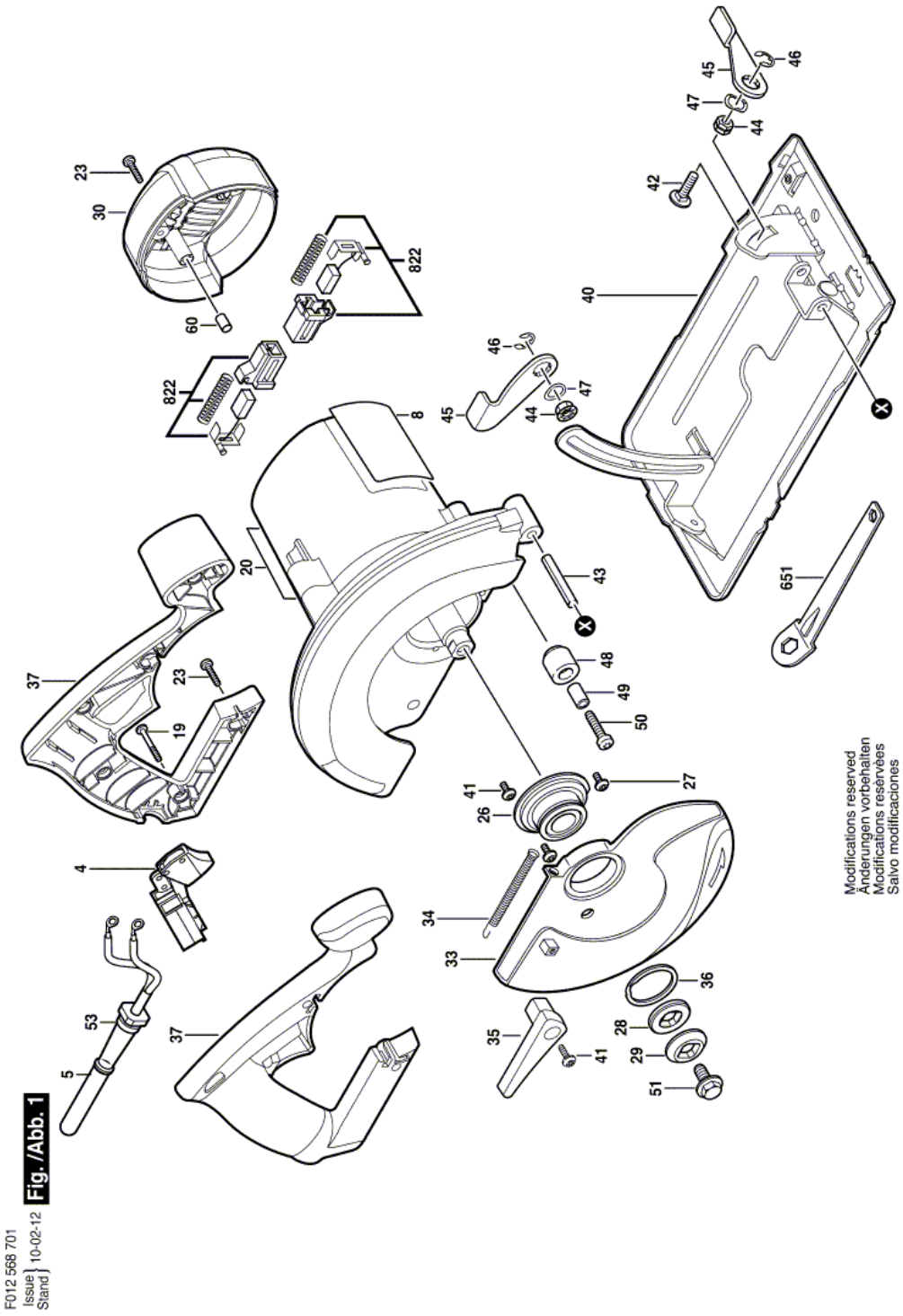


Circular hand saw - F 012 568 701 - HD5687M

Item	Part Number	Description	Illustration	Price	Quantity	Price Group
4	1 619 P06 587	Switch	1	-,-	1	24
5	1 619 X03 652	Power supply cord	1	-,-	1	-
8	1 619 X04 292	Nameplate	1	-,-	1	-
19	1 619 X01 012	Screw	1	-,-	2	10
20	1 619 X04 900	Warning Label	1	-,-	1	-
23	1 619 X01 011	Screw	1	-,-	6	10
26	1 619 X00 657	Bearing Plate	1	-,-	1	20
28	1 619 X00 659	Washer	1	-,-	1	-
29	1 619 X00 660	Washer	1	-,-	1	11
30	1 619 X01 098	Housing Cover	1	-,-	1	-
33	1 619 X03 951	Pivoting Blade Guard	1	-,-	1	24
34	1 619 X04 824	Extension Spring	1	-,-	1	10
35	1 619 X04 655	Lever	1	-,-	1	11
36	1 619 X00 667	Retaining snap ring	1	-,-	1	14
37	1 619 X03 699	Set Of Handles	1	-,-	1	-
40	1 619 X04 297	Base Plate	1	-,-	1	-
41	1 619 X06 749	Screw	1	-,-	4	10
42	1 619 X03 686	Bolt	1	-,-	1	-
43	1 619 X00 676	Roller Pin	1	-,-	1	11
44	1 619 X03 687	Nut	1	-,-	2	-
45	1 619 X03 634	Depth-Gauge	1	-,-	2	-
46	2 610 923 854	Clip	1	-,-	2	10
47	1 619 X01 014	Spring Washer	1	-,-	2	10
48	1 619 X00 681	Stopper	1	-,-	1	11
49	1 619 X00 682	Spacer	1	-,-	1	10
50	1 619 X00 683	Screw	1	-,-	1	11
51	1 619 X00 935	Hex Screw	1	-,-	1	10
53	1 619 X03 925	Grommet	1	-,-	1	-
60	1 619 X01 409	Holding Pin	1	-,-	2	10
651	1 619 X03 633	Box Wrench	1	-,-	1	-
822	1 619 X02 851	Carbon-Brush Set	1	-,-	1	19

Illustration - Type E



Information subject to change without further notice.