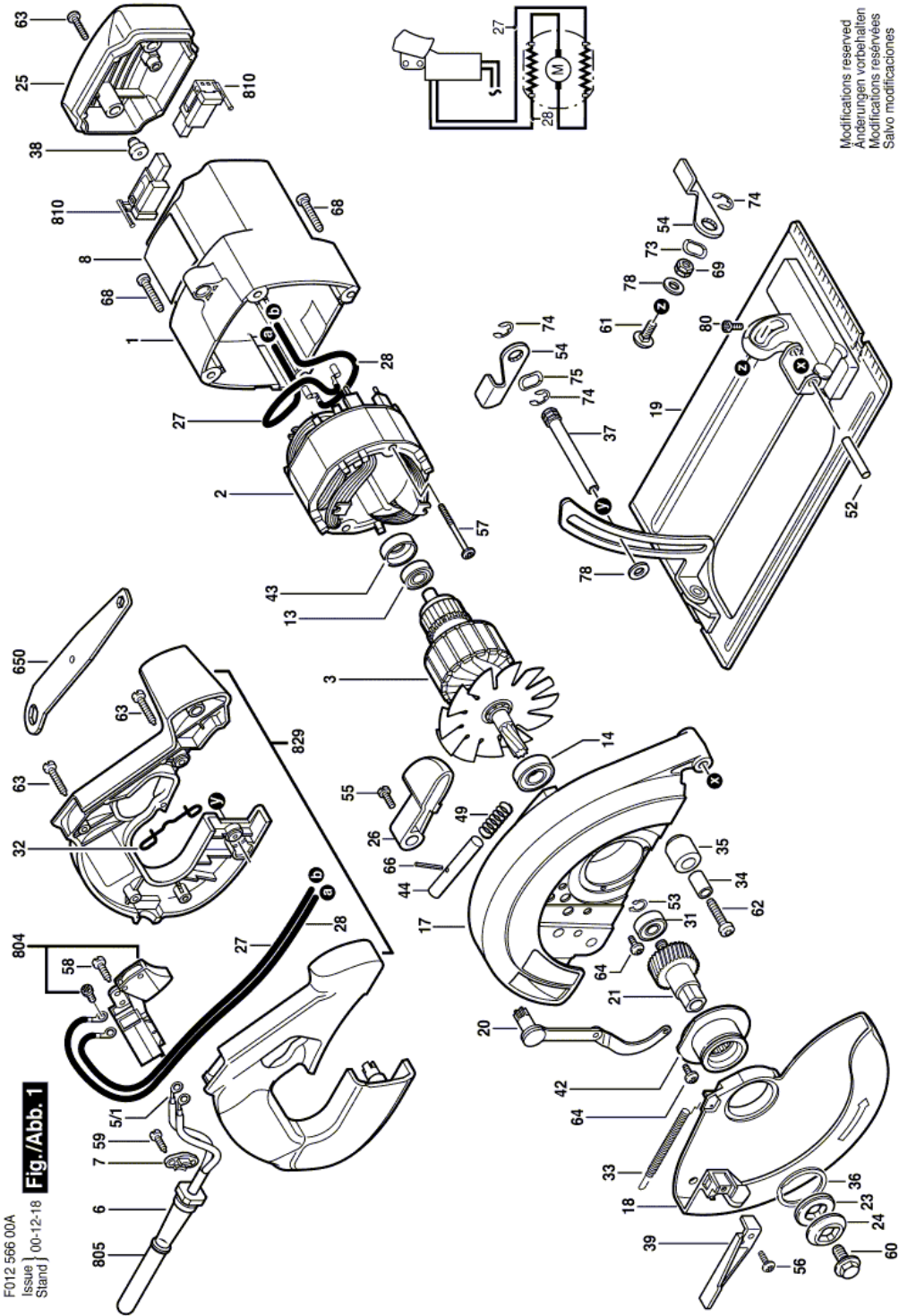


## Circular hand saw - F 012 566 00A - HD 5660

Item	Part Number	Description	Illustration	Price	Quantity	Price Group
1	2 610 905 307	Housing	1	-,-	1	25
2	1 619 P01 570	Field 120V	1	-,-	1	36
3	2 610 908 397	Armature With Fan 120V	1	-,-	1	-
5/1	2 610 316 596	Terminal	1	-,-	2	11
6	2 610 993 188	Grommet	1	-,-	1	-
7	2 610 993 191	Cable Clip	1	-,-	1	11
8	2 610 995 488	Nameplate	1	-,-	1	-
13	2 610 017 348	Deep-Groove Ball Bearing	1	-,-	1	23
14	2 610 350 311	Deep-Groove Ball Bearing	1	-,-	1	24
17	2 610 350 720	Covering hood	1	-,-	1	38
18	2 610 350 729	Protective Cover	1	-,-	1	33
19	2 610 350 691	Assembly Base	1	-,-	1	43
20	2 610 354 607	Swivelling Lever	1	-,-	1	-
21	2 610 355 586	Pinion Shaft	1	-,-	1	32
23	2 610 350 668	Flange 5/8"	1	-,-	1	20
24	1 619 X00 934	Washer	1	-,-	1	15
25	2 610 905 311	Sealing cap	1	-,-	1	24
26	2 610 905 334	Lever	1	-,-	1	15
27	2 610 038 934	Cable	1	-,-	1	13
28	2 610 038 935	Cable	1	-,-	1	13
31	1 619 P01 511	Ball Bearing	1	-,-	1	19
32	2 610 350 663	Clamp	1	-,-	1	11
33	2 610 351 246	Extension Spring	1	-,-	1	18
34	2 610 341 366	Spacer	1	-,-	1	14
35	2 610 341 394	End stop	1	-,-	1	12
36	2 610 341 359	Spring retaining ring	1	-,-	1	12
37	2 610 904 102	Collar bolt	1	-,-	1	19
38	2 610 350 655	Rubber Buffer	1	-,-	2	11
39	2 610 351 898	Lever	1	-,-	1	22
42	2 610 350 678	Bearing cover	1	-,-	1	29
43	1 619 P01 127	Rubber Ring	1	-,-	1	10
44	2 610 351 295	Locking Bolt	1	-,-	1	22
49	2 610 350 667	Spring	1	-,-	1	12

Item	Part Number	Description	Illustration	Price	Quantity	Price Group
52	2 610 341 332	Coiled Spring Pin	1	-,-	1	12
53	2 610 350 683	Spring retaining ring	1	-,-	1	12
54	2 610 901 987	Lever	1	-,-	2	13
55	2 610 354 611	Screw RED	1	-,-	1	11
56	2 610 328 924	Screw	1	-,-	1	14
57	1 619 P01 508	Screw	1	-,-	2	10
58	2 610 901 971	Screw	1	-,-	1	10
59	1 619 X00 504	Screw	1	-,-	2	10
60	1 619 X00 935	Hex Screw	1	-,-	1	10
61	2 610 017 262	Round-Head Bolt	1	-,-	1	12
62	2 610 347 100	Screw	1	-,-	1	12
63	1 619 P01 505	Screw	1	-,-	8	10
64	1 619 X01 786	Contact Screw	1	-,-	6	10
66	2 610 020 656	Slotted Spring Pin	1	-,-	1	12
68	2 610 341 335	Screw	1	-,-	4	12
69	2 610 901 988	Round Nut	1	-,-	1	11
73	2 610 069 183	Spring Washer	1	-,-	1	12
74	2 610 341 354	Spring retaining ring	1	-,-	3	12
75	2 610 313 808	Plain Washer	1	-,-	1	12
78	1 619 X00 942	Washer	1	-,-	2	10
80	2 610 350 698	Screw	1	-,-	1	10
650	2 610 351 201	Key	1	-,-	1	23
804	2 610 321 608	On-Off Switch	1	-,-	1	32
805	3 604 460 515	Cord	1	-,-	1	-
810	2 610 355 594	Brush Holder	1	-,-	1	31
829	2 610 904 129	Handle	1	-,-	1	-

Illustration - Type E



Information subject to change without further notice.