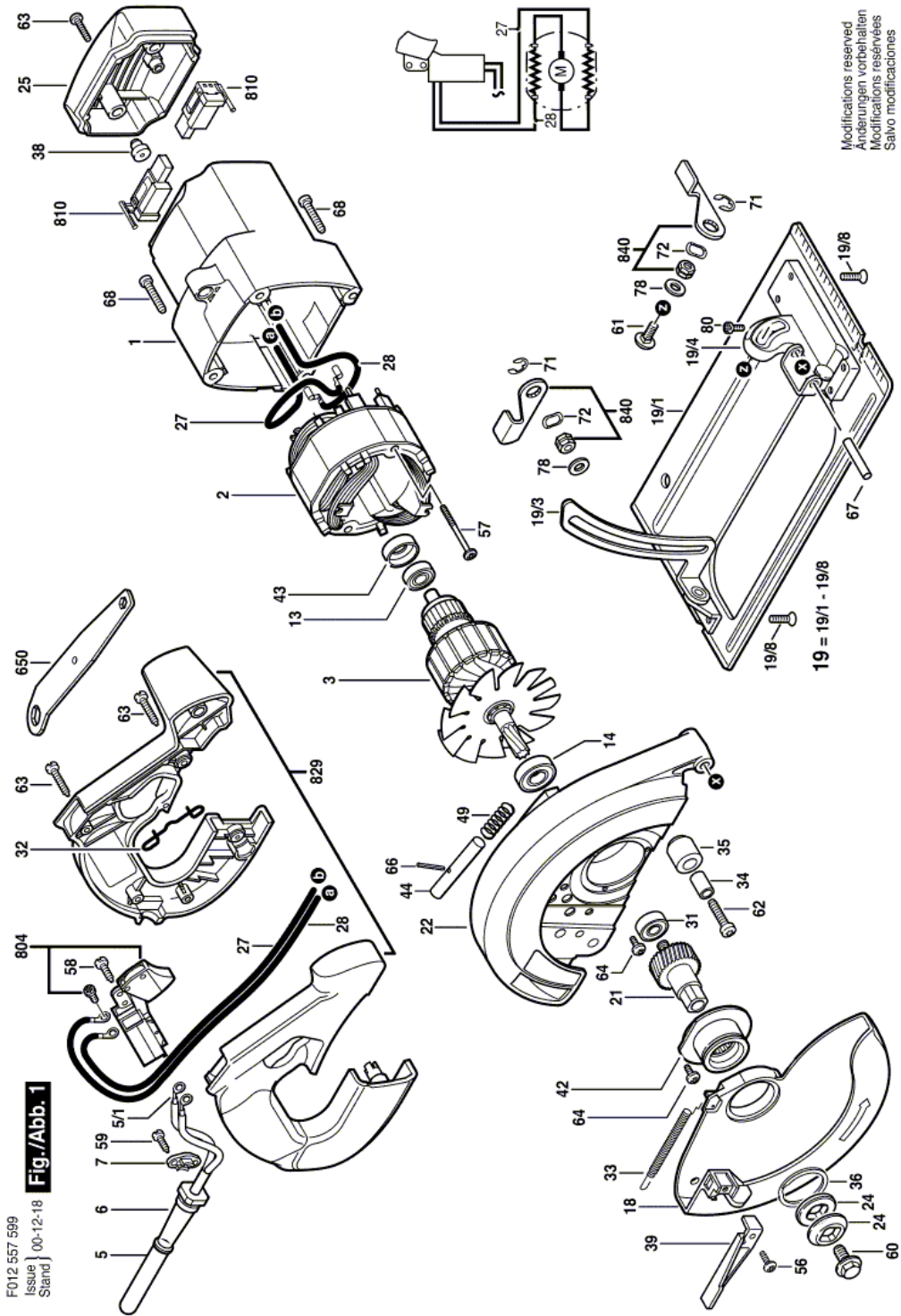


## Circular hand saw - F 012 557 599 - HD 5575

Item	Part Number	Description	Illustration	Price	Quantity	Price Group
1	2 610 905 307	Housing	1	-,-	1	25
2	2 610 341 381	Field 120V	1	-,-	1	34
3	2 610 903 173	Armature 120V	1	-,-	1	-
5	2 610 910 170	Power supply cord	1	-,-	1	-
5/1	2 610 316 596	Terminal	1	-,-	2	11
6	2 610 313 327	Grommet	1	-,-	1	14
7	2 610 364 033	Cable Clip	1	-,-	1	13
13	2 610 017 348	Deep-Groove Ball Bearing	1	-,-	1	23
14	2 610 350 311	Deep-Groove Ball Bearing	1	-,-	1	24
18	2 610 341 268	Pivoting Blade Guard	1	-,-	1	32
19	2 610 904 156	Base	1	-,-	1	-
19/1	2 610 352 094	Base	1	-,-	1	-
19/3	2 610 904 152	Depth-Gauge	1	-,-	1	-
19/4	2 610 909 120	Guide Piece	1	-,-	1	-
19/8	2 610 352 119	Tapping Screw	1	-,-	6	10
21	2 610 902 896	Gear Shaft	1	-,-	1	33
22	2 610 904 161	Upper Housing	1	-,-	1	-
24	2 610 341 361	Supporting Disc	1	-,-	1	14
25	2 610 905 306	Sealing cap	1	-,-	1	16
27	2 610 038 934	Cable	1	-,-	1	13
28	2 610 038 935	Cable	1	-,-	1	13
31	1 619 P01 511	Ball Bearing	1	-,-	1	19
32	2 610 350 663	Clamp	1	-,-	1	11
33	2 610 347 486	Extension Spring	1	-,-	1	14
34	2 610 341 366	Spacer	1	-,-	1	14
35	2 610 341 394	End stop	1	-,-	1	12
36	2 610 341 359	Spring retaining ring	1	-,-	1	12
38	2 610 354 653	Support	1	-,-	1	11
39	2 610 351 898	Lever	1	-,-	1	22
42	1 619 X01 554	Bearing Plate	1	-,-	1	24
43	1 619 P01 127	Rubber Ring	1	-,-	1	10
44	2 610 351 295	Locking Bolt	1	-,-	1	22
49	2 610 350 667	Spring	1	-,-	1	12

Item	Part Number	Description	Illustration	Price	Quantity	Price Group
56	2 610 328 924	Screw	1	-,-	1	14
57	2 610 931 997	Screw	1	-,-	2	13
58	2 610 901 971	Screw	1	-,-	1	10
59	1 619 X00 504	Screw	1	-,-	2	10
60	1 619 X00 935	Hex Screw	1	-,-	1	10
61	2 610 905 039	Guiding bolt	1	-,-	1	-
62	2 610 347 100	Screw	1	-,-	1	12
63	1 619 P01 505	Screw	1	-,-	8	10
64	1 619 X01 786	Contact Screw	1	-,-	6	10
66	2 610 020 656	Slotted Spring Pin	1	-,-	1	12
67	2 610 909 129	Clamp Screw	1	-,-	1	-
68	2 610 341 335	Screw	1	-,-	4	12
71	2 610 341 354	Spring retaining ring	1	-,-	3	12
72	2 610 313 808	Plain Washer	1	-,-	1	12
78	1 619 X00 942	Washer	1	-,-	2	10
80	2 610 350 698	Screw	1	-,-	1	10
650	2 610 351 201	Key	1	-,-	1	23
804	2 610 321 608	On-Off Switch	1	-,-	1	32
810	2 610 355 594	Brush Holder	1	-,-	1	31
829	2 610 904 144	Handle	1	-,-	1	27
840	2 610 901 989	Lever	1	-,-	2	14

Illustration - Type E



Information subject to change without further notice.