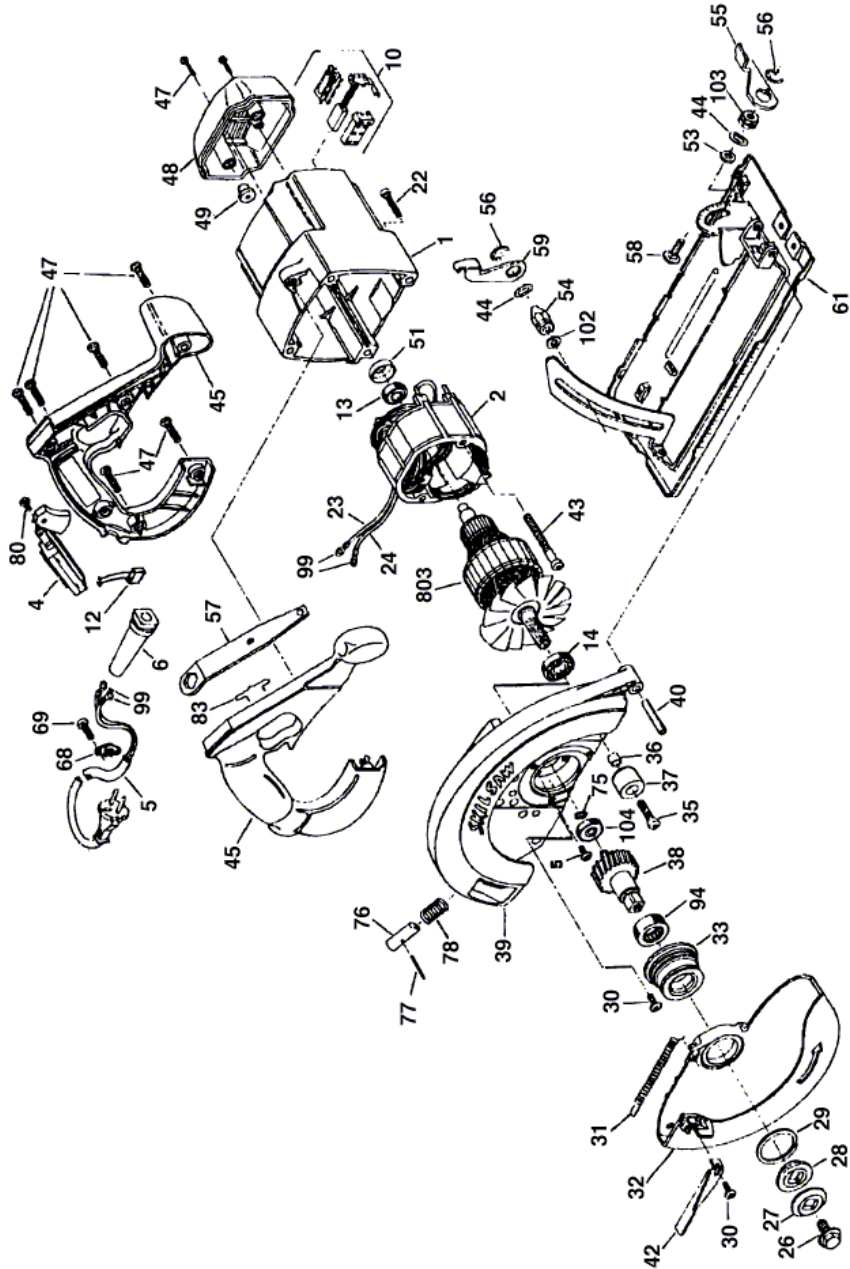


## Un-Hd Port. Circular Saw - F 012 555 041 - HD 5550...

Item	Part Number	Description	Illustration	Price	Quantity	Price Group
1	2 610 905 307	Housing	1	-,-	1	25
2	2 610 341 382	Field 230-240V	1	-,-	1	33
4	2 610 321 608	On-Off Switch	1	-,-	1	32
5	2 610 353 755	Power supply cord	1	-,-	1	27
6	2 610 313 327	Grommet	1	-,-	1	14
10	2 610 993 249	Carbon-Brush Set	1	-,-	2	29
12	2 610 355 566	Suppression Capacitor	1	-,-	1	20
13	2 610 017 348	Deep-Groove Ball Bearing	1	-,-	2	23
14	2 610 350 311	Deep-Groove Ball Bearing	1	-,-	1	24
22	2 610 341 335	Screw	1	-,-	4	12
23	2 610 038 934	Cable	1	-,-	1	13
24	2 610 038 935	Cable	1	-,-	1	13
26	1 619 X00 935	Hex Screw	1	-,-	1	10
27	1 619 X00 934	Washer	1	-,-	1	15
28	2 610 350 668	Flange 5/8"	1	-,-	1	20
29	2 610 341 359	Spring retaining ring	1	-,-	1	12
30	1 619 X01 786	Contact Screw	1	-,-	7	10
31	2 610 347 486	Extension Spring	1	-,-	1	14
32	2 610 341 268	Pivoting Blade Guard	1	-,-	1	32
33	2 610 350 679	Bearing cover	1	-,-	1	31
35	2 610 347 100	Screw	1	-,-	1	12
36	2 610 341 366	Spacer	1	-,-	1	14
37	2 610 341 394	End stop	1	-,-	1	12
38	2 610 355 586	Pinion Shaft	1	-,-	1	32
39	2 610 355 592	Covering hood	1	-,-	1	30
40	2 610 341 332	Coiled Spring Pin	1	-,-	1	12
42	2 610 351 898	Lever	1	-,-	1	22
43	2 610 931 997	Screw	1	-,-	2	13
44	2 610 069 183	Spring Washer	1	-,-	2	12
45	2 610 902 880	Handle	1	-,-	1	27
47	1 619 P01 505	Screw	1	-,-	8	10
48	2 610 905 306	Sealing cap	1	-,-	1	16
49	2 610 354 653	Support	1	-,-	2	11

Item	Part Number	Description	Illustration	Price	Quantity	Price Group
51	1 619 P01 127	Rubber Ring	1	-,-	1	10
53	1 619 X00 942	Washer	1	-,-	2	10
54	2 610 901 988	Round Nut	1	-,-	2	11
55	2 610 341 352	Lever	1	-,-	1	14
56	2 610 341 354	Spring retaining ring	1	-,-	2	12
57	2 610 351 201	Key	1	-,-	1	23
58	2 610 017 262	Round-Head Bolt	1	-,-	1	12
59	2 610 350 665	Lever	1	-,-	1	14
61	2 610 357 055	Base Plate	1	-,-	1	29
68	2 610 364 033	Cable Clip	1	-,-	1	13
69	1 619 X00 504	Screw	1	-,-	2	10
75	2 610 350 683	Spring retaining ring	1	-,-	1	12
76	2 610 351 295	Locking Bolt	1	-,-	1	22
77	2 610 020 656	Slotted Spring Pin	1	-,-	1	12
78	2 610 350 667	Spring	1	-,-	1	12
80	2 610 901 971	Screw	1	-,-	1	10
83	2 610 350 663	Clamp	1	-,-	1	11
94	2 610 353 027	Needle-Roller Bearing	1	-,-	1	22
99	2 610 316 596	Terminal	1	-,-	4	11
102	1 619 P01 535	Washer	1	-,-	1	11
103	2 610 341 353	Nut	1	-,-	1	12
104	1 619 P01 511	Ball Bearing	1	-,-	1	19
803	2 610 910 194	Armature 220V	1	-,-	1	41

Illustration - Type E



F 012 555 041  
Stand Issue } 98-08-27  
**Fig./Abb. 1**

Information subject to change without further notice.