

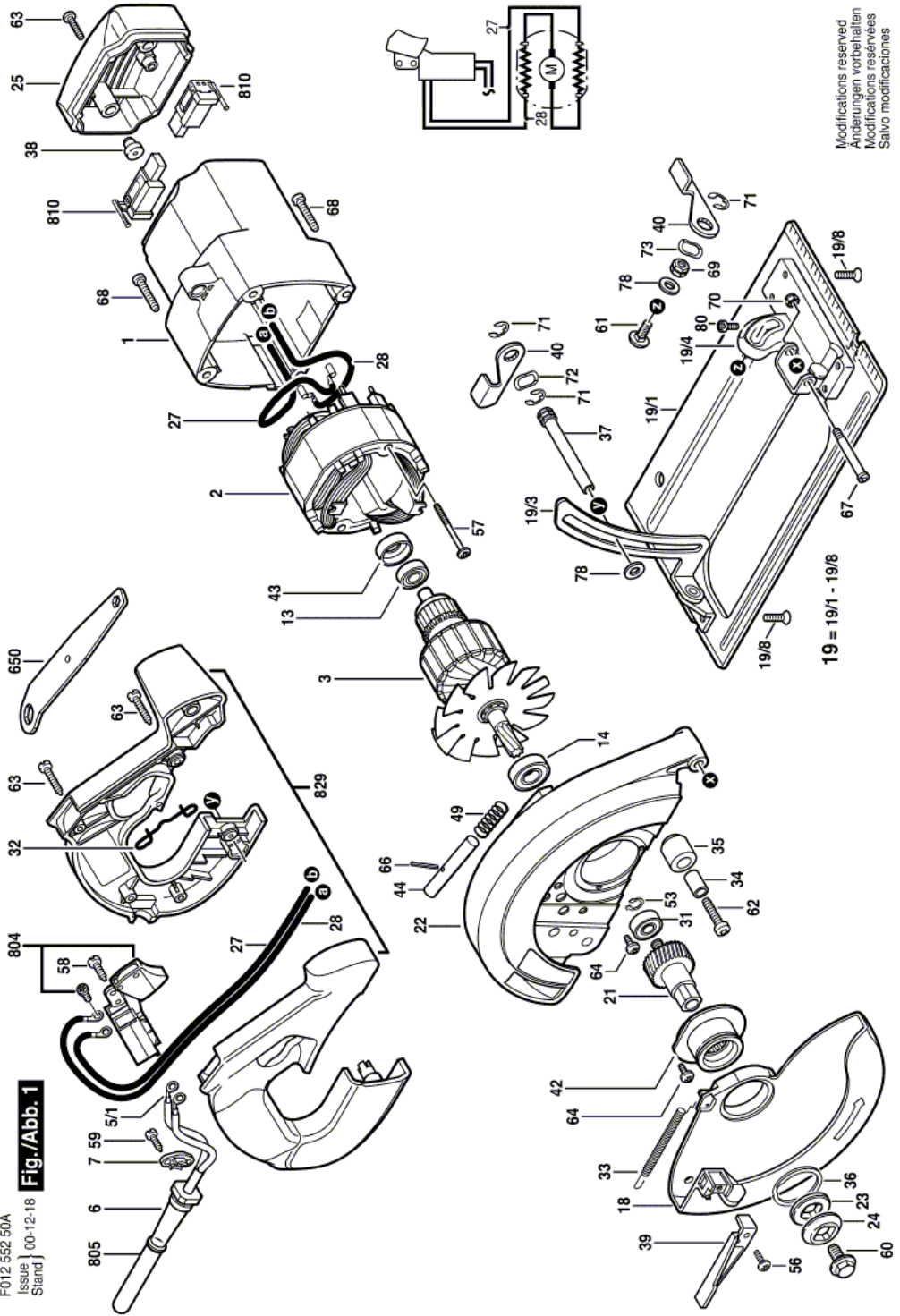
| Item | Part Number | Description | Illustration | Price | Quantity |
|------|--------------------|--------------------------|--------------|-------|----------|
| | 1 2 610 905 307 | Housing | | 1 -,- | 1 |
| | 2 2 610 341 381 | Field 120V | | 1 -,- | 1 |
| | 3 2 610 903 173 | Armature 120V | | 1 -,- | 1 |
| | 5/1 2 610 316 596 | Terminal | | 1 -,- | 4 |
| | 6 2 610 313 327 | Grommet | | 1 -,- | 1 |
| | 7 2 610 364 033 | Cable Clip | | 1 -,- | 1 |
| | 13 2 610 017 348 | Deep-Groove Ball Bearing | | 1 -,- | 1 |
| | 14 2 610 350 311 | Deep-Groove Ball Bearing | | 1 -,- | 1 |
| | 18 2 610 341 264 | Pivoting Blade Guard | | 1 -,- | 1 |
| | 19 2 610 909 131 | Guide Piece | | 1 -,- | 1 |
| | 19/1 2 610 352 094 | Base | | 1 -,- | 1 |
| | 19/3 2 610 909 133 | Bearing Bracket | | 1 -,- | 1 |
| | 19/4 2 610 909 132 | Guide Bracket | | 1 -,- | 1 |
| | 19/8 2 610 352 119 | Tapping Screw | | 1 -,- | 6 |
| | 21 2 610 355 586 | Pinion Shaft | | 1 -,- | 1 |
| | 22 2 610 902 904 | Housing | | 1 -,- | 1 |
| | 23 2 610 350 668 | Flange 5/8" | | 1 -,- | 1 |
| | 24 1 619 X00 934 | Washer | | 1 -,- | 1 |
| | 25 2 610 905 306 | Sealing cap | | 1 -,- | 1 |
| | 27 2 610 038 934 | Cable | | 1 -,- | 1 |
| | 28 2 610 038 935 | Cable | | 1 -,- | 1 |
| | 31 1 619 P01 511 | Ball Bearing | | 1 -,- | 1 |
| | 32 2 610 350 663 | Clamp | | 1 -,- | 1 |
| | 33 2 610 346 556 | Extension Spring | | 1 -,- | 1 |
| | 34 2 610 341 366 | Spacer | | 1 -,- | 1 |
| | 35 2 610 341 394 | End stop | | 1 -,- | 1 |
| | 36 2 610 341 359 | Spring retaining ring | | 1 -,- | 1 |
| | 37 2 610 904 102 | Collar bolt | | 1 -,- | 1 |
| | 38 2 610 354 653 | Support | | 1 -,- | 2 |
| | 39 2 610 351 898 | Lever | | 1 -,- | 1 |
| | 40 2 610 901 987 | Lever | | 1 -,- | 2 |
| | 42 2 610 350 678 | Bearing cover | | 1 -,- | 1 |
| | 43 1 619 P01 127 | Rubber Ring | | 1 -,- | 1 |

| Item | Part Number | Description | Illustration | Price | Quantity | |
|------|---------------|-----------------------|--------------|-------|----------|---|
| 44 | 2 610 351 295 | Locking Bolt | | 1 | -,- | 1 |
| 49 | 2 610 350 667 | Spring | | 1 | -,- | 1 |
| 53 | 2 610 350 683 | Spring retaining ring | | 1 | -,- | 1 |
| 56 | 2 610 328 924 | Screw | | 1 | -,- | 1 |
| 57 | 2 610 931 997 | Screw | | 1 | -,- | 2 |
| 58 | 2 610 901 971 | Screw | | 1 | -,- | 1 |
| 59 | 1 619 X00 504 | Screw | | 1 | -,- | 2 |
| 60 | 1 619 X00 935 | Hex Screw | | 1 | -,- | 1 |
| 61 | 2 610 905 039 | Guiding bolt | | 1 | -,- | 1 |
| 62 | 2 610 347 100 | Screw | | 1 | -,- | 1 |
| 63 | 1 619 P01 505 | Screw | | 1 | -,- | 8 |
| 64 | 1 619 X01 786 | Contact Screw | | 1 | -,- | 6 |
| 66 | 2 610 020 656 | Slotted Spring Pin | | 1 | -,- | 1 |
| 67 | 2 610 909 129 | Clamp Screw | | 1 | -,- | 1 |
| 68 | 2 610 341 335 | Screw | | 1 | -,- | 4 |
| 69 | 2 610 901 988 | Round Nut | | 1 | -,- | 1 |
| 70 | 2 610 904 165 | Self-locking nut | | 1 | -,- | 1 |
| 71 | 2 610 341 354 | Spring retaining ring | | 1 | -,- | 3 |
| 72 | 2 610 313 808 | Plain Washer | | 1 | -,- | 1 |
| 73 | 2 610 069 183 | Spring Washer | | 1 | -,- | 1 |
| 78 | 1 619 X00 942 | Washer | | 1 | -,- | 2 |
| 80 | 2 610 350 698 | Screw | | 1 | -,- | 1 |
| 650 | 2 610 351 201 | Key | | 1 | -,- | 1 |
| 804 | 2 610 321 608 | On-Off Switch | | 1 | -,- | 1 |
| 805 | 2 610 910 170 | Power supply cord | | 1 | -,- | 1 |
| 810 | 2 610 355 594 | Brush Holder | | 1 | -,- | 1 |
| 829 | 2 610 904 129 | Handle | | 1 | -,- | 1 |

F012 552 50A

Issue | 00-12-18
Stand

Fig./Abb. 1



Modifications reserved
Änderungen vorbehalten
Modificacions reservades
Salvo modificaciones