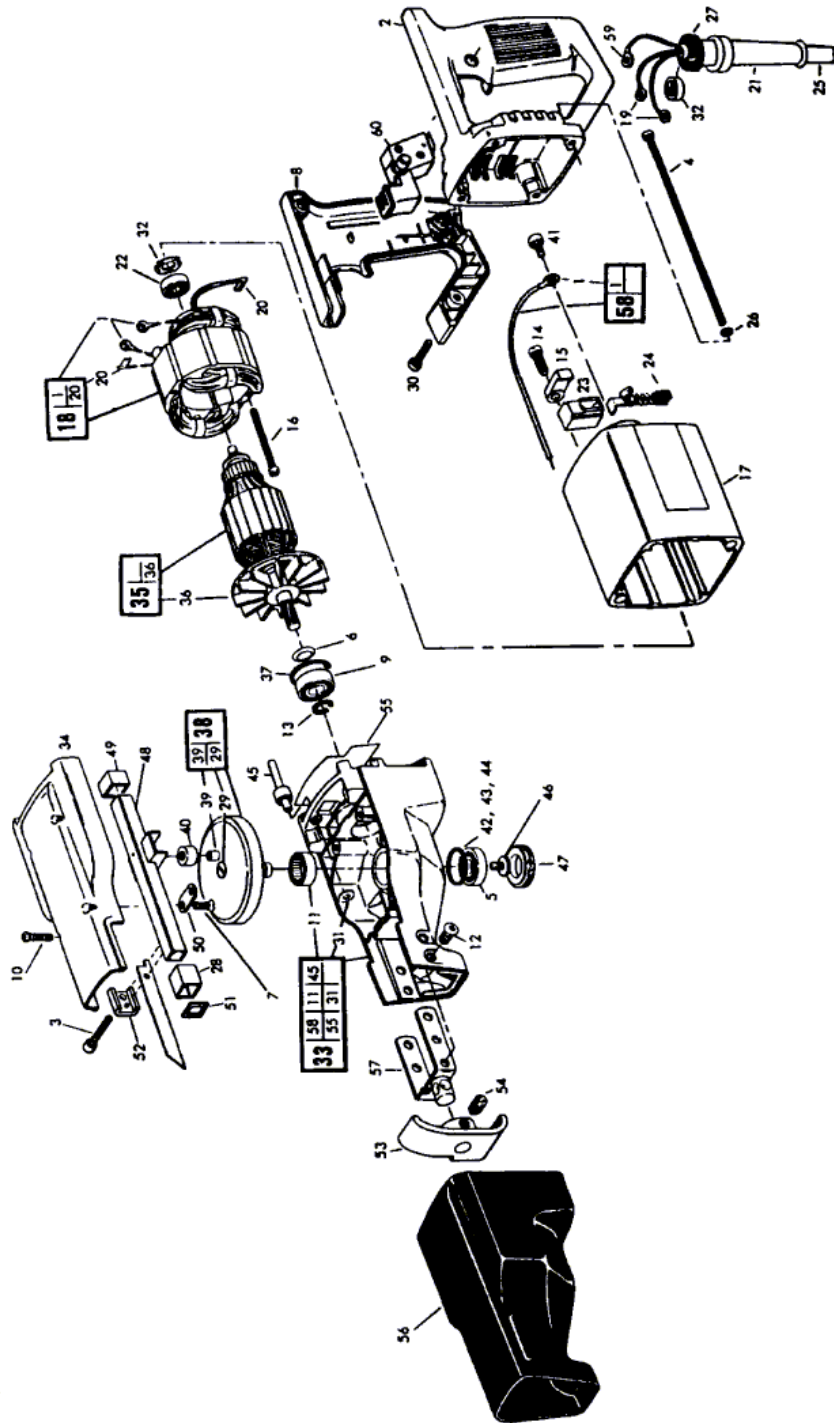


## Reciprocating saw - F 012 474 0CA - HD4740 TYP 5

Item	Part Number	Description	Illustration	Price	Quantity	Price Group
1	2 610 000 063	Terminal	1	-,-	3	11
2	2 610 905 403	Handle	1	-,-	1	-
3	2 610 004 075	Screw	1	-,-	1	11
4	2 610 004 334	Screw	1	-,-	4	-
5	2 610 006 609	Ball Bearing	1	-,-	1	-
6	2 610 011 746	Washer	1	-,-	1	-
7	2 610 016 475	Screw	1	-,-	4	-
8	2 610 905 402	Handle	1	-,-	1	-
9	2 610 020 373	Ball Bearing	1	-,-	1	-
10	2 610 021 917	Screw	1	-,-	4	-
11	2 610 024 118	Needle-Roller Bearing	1	-,-	1	-
12	2 610 024 542	Screw	1	-,-	4	-
13	2 610 029 988	Ring	1	-,-	1	13
14	2 610 043 010	Screw	1	-,-	2	-
15	2 610 043 944	Support	1	-,-	2	-
16	2 610 067 614	Screw	1	-,-	2	-
17	2 610 905 406	Housing	1	-,-	1	-
18	2 610 067 624	Stator	1	-,-	1	-
19	2 610 316 570	Terminal	1	-,-	1	-
20	2 610 068 648	Terminal	1	-,-	2	-
21	2 610 068 009	Grommet	1	-,-	1	-
22	2 610 067 674	Ball Bearing	1	-,-	1	-
23	2 610 317 060	Brush Holder	1	-,-	2	-
24	2 610 318 347	Carbon Brush	1	-,-	2	-
25	2 610 910 169	Cord	1	-,-	1	-
26	2 610 067 710	Plain Washer	1	-,-	4	-
27	2 610 306 182	Washer	1	-,-	1	-
28	2 610 069 875	Bushing	1	-,-	1	-
29	2 610 309 766	Screw	1	-,-	1	-
30	2 610 354 822	Screw	1	-,-	4	-
31	2 610 068 577	Washer	1	-,-	1	-
32	2 610 374 525	Clamp	1	-,-	1	-
33	2 610 316 752	Gear Housing	1	-,-	1	-

Item	Part Number	Description	Illustration	Price	Quantity	Price Group
34	2 610 316 756	Cover	1	-,-	1	-
35	2 610 069 855	Armature 120V	1	-,-	1	-
36	2 610 067 607	Fan	1	-,-	1	-
37	2 610 069 856	Locating ring	1	-,-	1	-
38	2 610 905 495	Conversion Gear	1	-,-	1	-
39	2 610 905 496	Bolt	1	-,-	1	-
40	2 610 069 860	Roller	1	-,-	1	-
41	2 610 318 489	Screw	1	-,-	1	-
42	2 610 017 978	Plain Washer	1	-,-	1	-
43	2 610 017 979	Washer	1	-,-	1	-
44	2 610 017 980	Washer	1	-,-	1	-
45	2 610 316 703	Pivot Pin	1	-,-	1	-
46	2 610 069 866	Screw	1	-,-	1	-
47	2 610 069 867	Self-locking nut	1	-,-	1	-
48	2 610 351 865	Plunger Bar	1	-,-	1	-
49	2 610 069 876	Bearing	1	-,-	1	-
50	2 610 069 877	Clamp	1	-,-	2	-
51	2 610 069 878	Felt Washer	1	-,-	1	-
52	2 610 351 864	Blade Holder	1	-,-	1	-
53	2 610 069 880	Guide Piece	1	-,-	1	-
54	2 610 069 884	Screw	1	-,-	1	-
55	2 610 908 254	Seal	1	-,-	1	-
56	2 610 351 866	Insulating Sleeve	1	-,-	1	-
57	2 610 070 910	Bracket Holder	1	-,-	1	-
58	2 610 039 693	Nameplate	1	-,-	1	-
59	2 610 318 321	Terminal	1	-,-	1	-
60	2 610 322 440	Toggle Switch	1	-,-	1	-

Illustration - Type E



Änderungen vorbehalten  
Modifications reserved  
Modifications reserves  
Salvo modificaciones

F0124740CA  
Stand }  
Issue } 00-05-25  
**Fig./Abb. 1**

Information subject to change without further notice.