

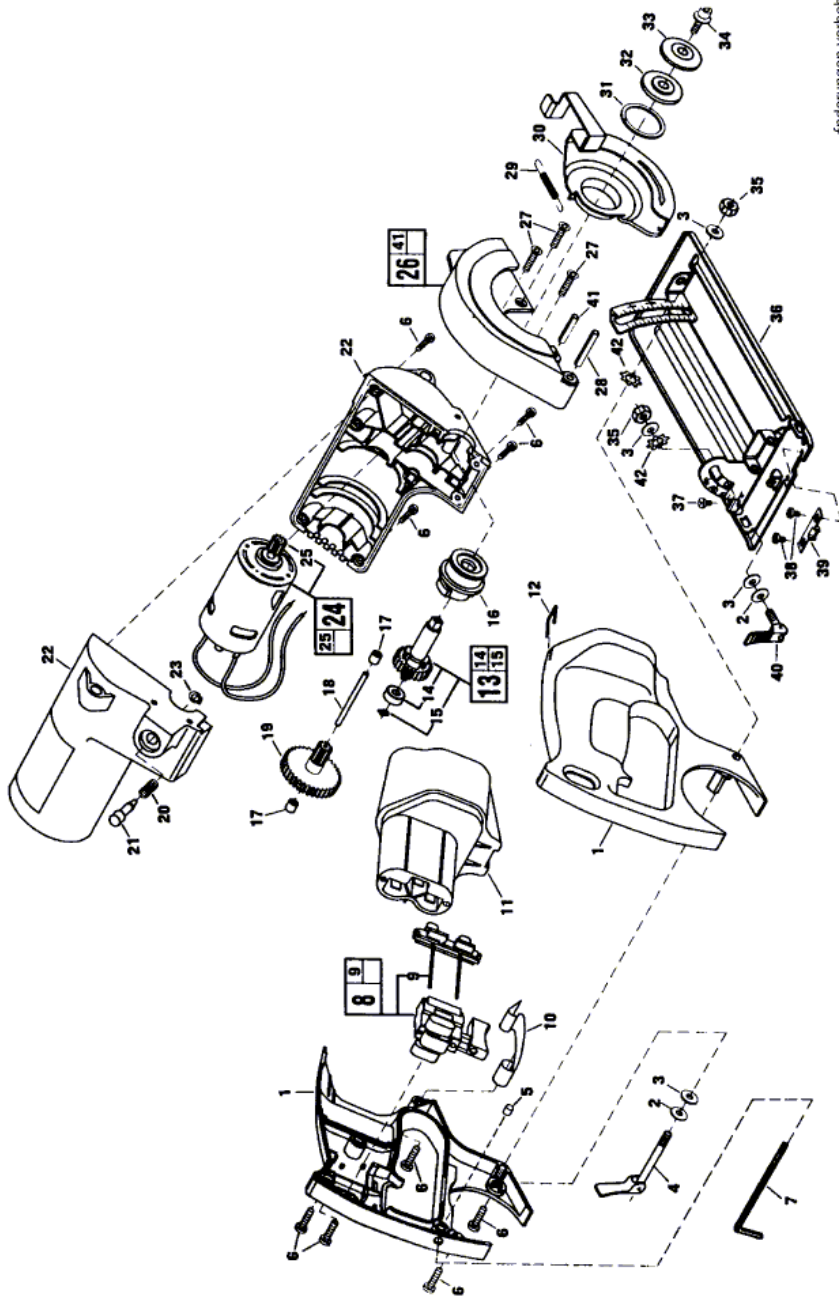
Item	Part Number	Description	Illustration	Price	Quantity
1	2 610 905 350	Set Of Handles		1,-	1
2	2 610 357 558	Spring Washer		1,-	2
3	2 610 356 519	Washer		1,-	1
4	2 610 357 562	Lever		1,-	1
5	2 610 028 780	Plug		1,-	1
6	2 610 350 996	Screw		1,-	11
7	1 619 P01 540	Hexagon Socket Wrench		1,-	1
8	2 610 357 554	Switch		1,-	1
9	2 610 356 542	Connector		1,-	1
10	2 610 351 018	Latch		1,-	1
11	2 610 904 786	Battery Set 12V/120V		1,-	1
12	2 610 351 046	Support		1,-	1
13	2 610 356 536	Gear		1,-	1
14	2 615 296 576	Bearing		1,-	1
15	2 610 356 520	Ring		1,-	1
16	2 610 356 539	Bearing cover		1,-	1
17	2 610 327 762	Bearing		1,-	2
18	2 610 356 527	Pin		1,-	1
19	2 610 356 510	Toothed Gear		1,-	1
20	1 619 P01 531	Spring		1,-	1
21	2 610 356 516	Plug		1,-	1
22	2 610 905 353	Housing		1,-	1
23	2 610 021 862	Ring		1,-	1
24	2 610 356 521	Motor 12V		1,-	1
25	2 610 350 962	Pinion		1,-	1
26	2 610 357 566	Upper Housing		1,-	1
27	2 610 356 513	Screw		1,-	3
28	2 610 356 524	Pin		1,-	1
29	2 610 356 543	Spring		1,-	1
30	2 610 356 537	Protection		1,-	1
31	2 610 356 525	Ring		1,-	1
32	2 610 356 506	Inner Disc		1,-	1
33	2 610 357 591	Flange		1,-	1

Item	Part Number	Description	Illustration	Price	Quantity
34	2 610 357 589	Screw	1	-,-	1
35	2 610 345 392	Nut	1	-,-	2
36	2 610 356 540	Base Plate	1	-,-	1
37	2 610 357 583	Screw	1	-,-	1
38	2 610 357 582	Screw	1	-,-	2
39	2 610 357 595	Adjusting Plate	1	-,-	1
40	2 610 357 561	Lever	1	-,-	1
41	2 610 357 581	Pin	1	-,-	1
42	2 610 026 248	Washer	1	-,-	1

F012297702

Stand }  
Issue } 00-05-22

**Fig./Abb. 1**



änderungen vorbehalten  
Modifications reserved  
Modificacions reserves  
Salvo modificaciones