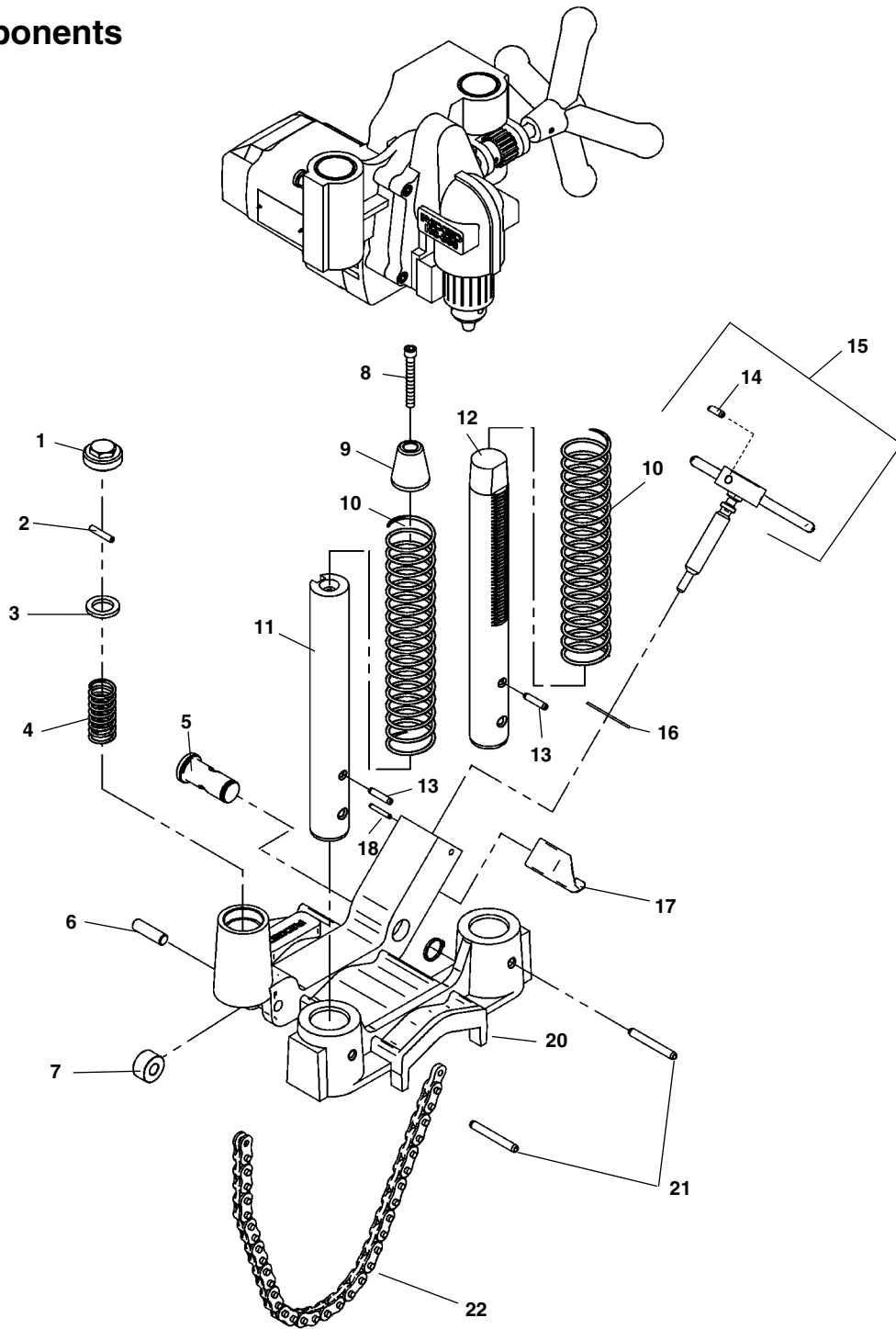


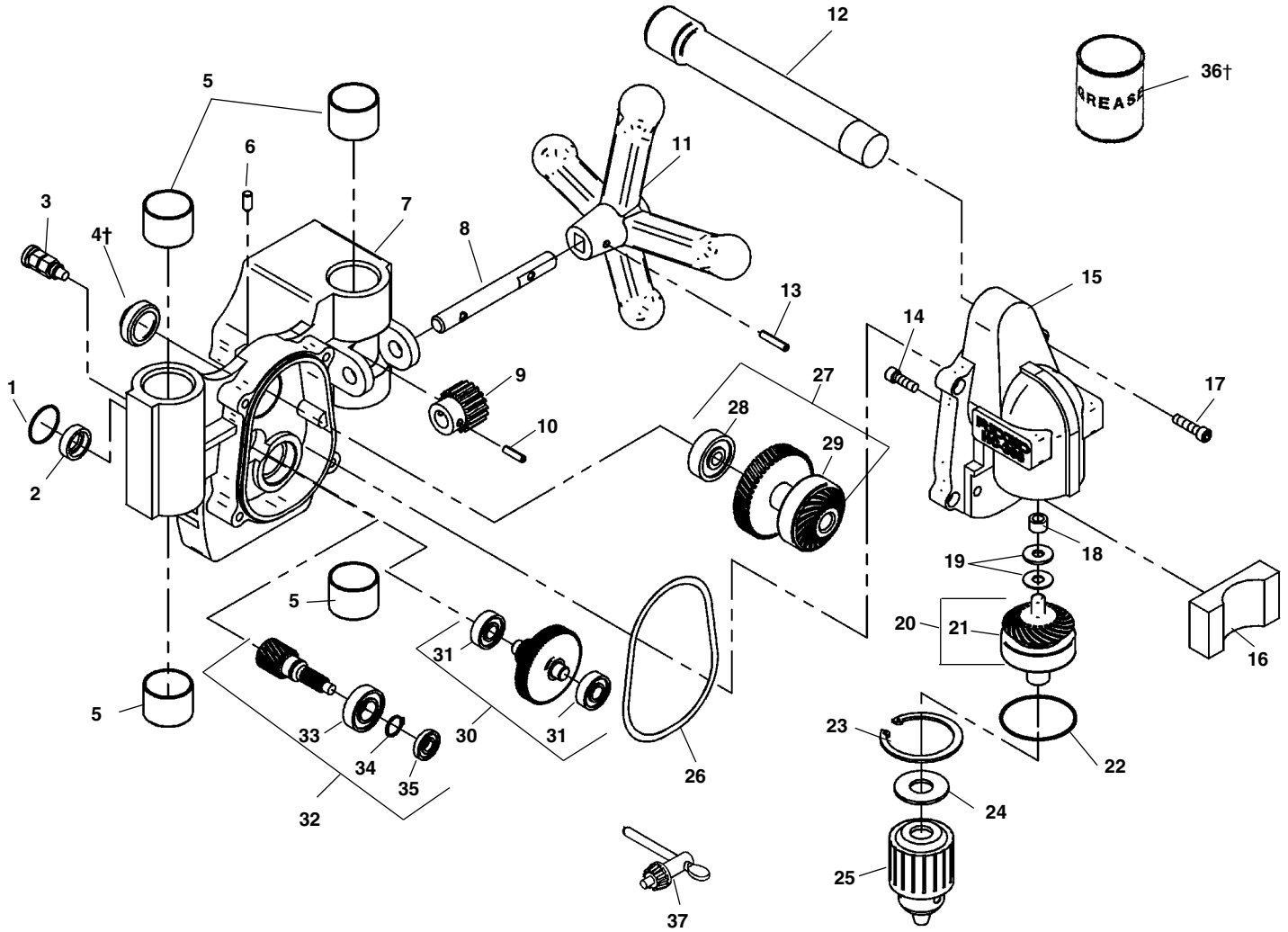
Main Components



**NOTE: Order parts by Catalog Number only.
DO NOT order by Reference Number.**

Ref. No.	Catalog No.	Description	Ref. No.	Catalog No.	Description
1	77092	Cap	12	77052	Rack w/Pins (Incls. Refs. 13, 21)
2	77097	Pin	13	34342	Spring Pin (2)
3	77242	Washer	14	77067	Ball Detente
4	77087	Compression Spring	15	77077	Crank Screw Assembly
5	77257	Pivot Pin	16	77072	Friction Ring
6	41035	Roller Pin	17	77082	Chain Hook
7	40990	Roller	18	76735	Spring Pin
8	40657	Soc. Hd. Cap Screw, 1/4" - 20 x 1 1/2"	19	77252	Retaining Ring
9	77262	Plunger Stop	20	77042	Base w/Pins (Incls. Ref. 21)
10	77057	Compression Spring (2)	21	44850	Spring Pin (2)
11	77047	Post Assembly (Incls. Refs. 8, 9, 13, 21)	22	77247	Chain Assembly (Incls. Ref. 2, 3)

Transmission



**NOTE: Order parts by Catalog Number only.
DO NOT order by Reference Number.**

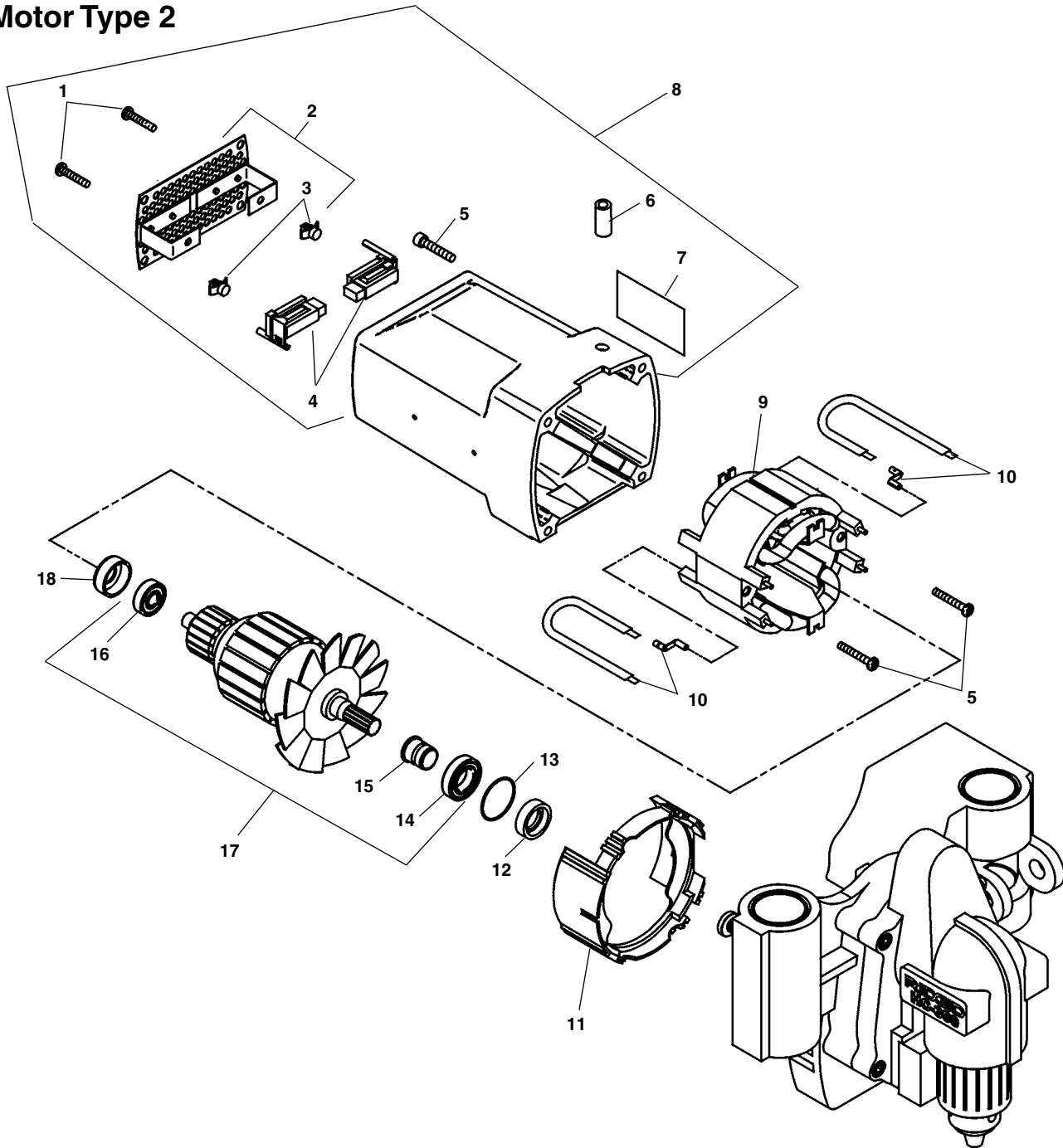
Ref. No.	Catalog No.	Description	Ref. No.	Catalog No.	Description	Ref. No.	Catalog No.	Description
1	77202	O-Ring	14	40910	Screws (4)	26	77177	Gasket, Transmission
2	77207	Grease Seal	15	77142	Front Gear Case	27	77107	3rd Intermediate Gear Assembly
3	61567	Plunger Assembly	16	77172	Chuck Guard	28	77182	Ball Bearing
†4	77092	Adjusting Cap	17	83685	Screw (4)	29	45315	Ball Bearing
5	59027	Bearing (4)	18	77122	Needle Bearing	30	77112	2nd Intermediate Gear Assembly
6	77167	Set Screw, Nylon Tip	19	77127	Thrust Bearing Assembly	31	77187	Ball Bearing (2)
7	77147	Rear Gear Case	20	77102	Output Gear Assembly	32	77117	1st Intermediate Gear Assembly
8	77007	Feed Shaft	21	45315	Ball Bearing	33	77197	Ball Bearing
9	59092	Carriage Pinion	22	77157	O-Ring	34	83027	Retaining Ring
10	44662	Roll Pin	23	77132	Retaining Ring, Internal	35	77192	Ball Bearing
11	58957	Hand Wheel	24	46295	Spacer	†36	26707	Transmission Grease, 1 Lb.
12	77152	Carry Handle	25	77012	Chuck w/Key	37	77017	Chuck Key
13	36387	Roll Pin						

† Service Notes:

Ref. 4 Backlash Adjustment – Use 6" C-Clamp to lightly push chuck into housing. Apply thin coat of Loctite No. 545 Hydraulic/Pneumatic Thread Sealant (or equivalent) to threads on adjusting cap, Ref 4. Tighten cap to 40 - 50 in-lbs then back off to eliminate torque. Re-tighten finger tight then back off 20° to 30°. Remove clamp and check by gripping chuck with fingertips and feeling for minimal rotational backlash in output gear. Tighten set screw, Ref. 6, to hold cap securely.

Ref. 36 Grease Fill – Use only recommended transmission grease (Molytex EPO). Fill bearing pockets with grease and apply coating to gear teeth. Fill two separate transmission cavities approximately 1/2 full of grease using about 1/4 of pound can

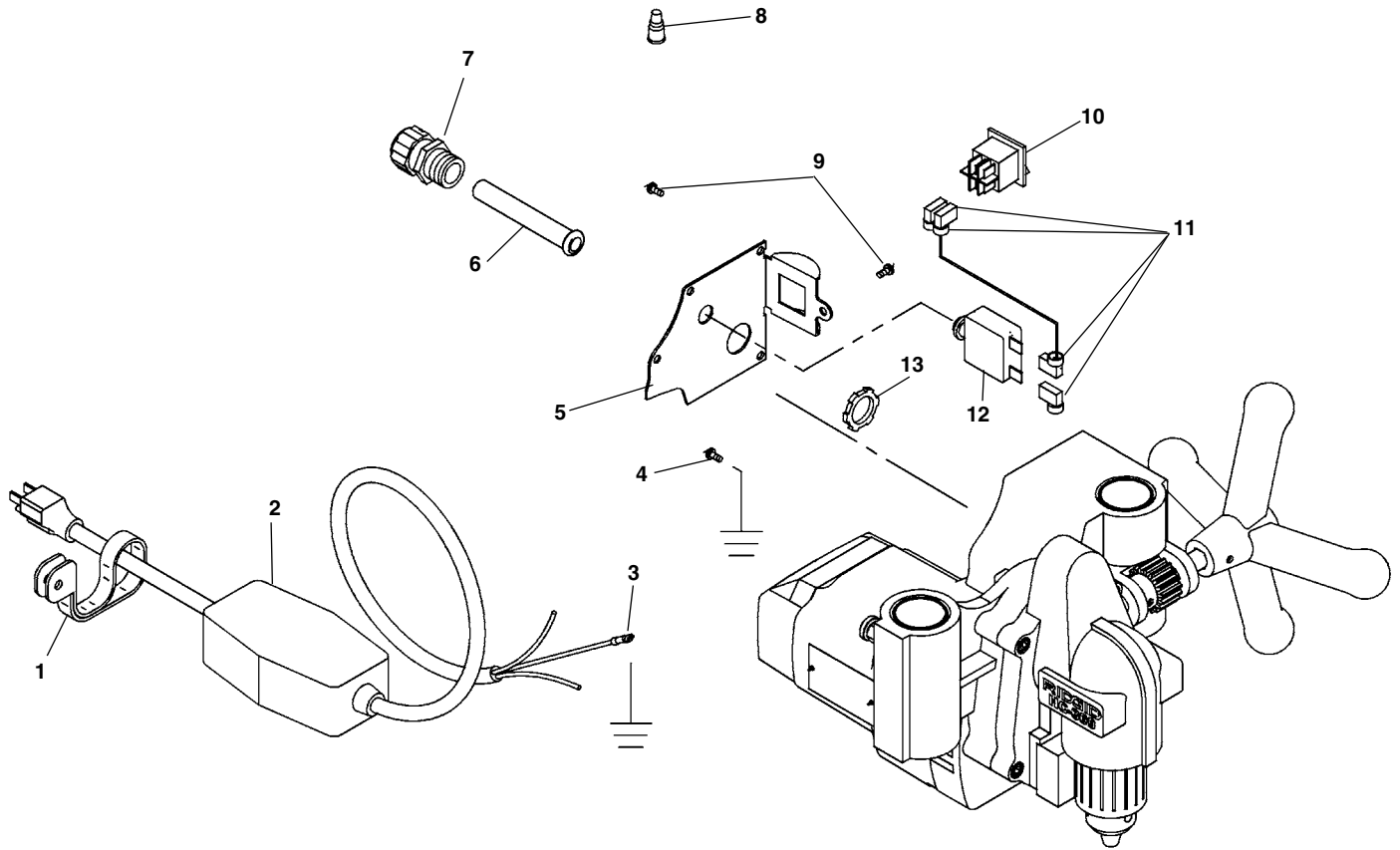
Motor Type 2



**NOTE: Order parts by Catalog Number only.
DO NOT order by Reference Number.**

Ref. No.	Catalog No.	Description	Ref. No.	Catalog No.	Description
1	10908	Screw, Self Tapping (4)	10	77027	Motor Lead Set
2	10913	End Cap	11	58577	Fan Shroud
3	10918	Bumper (2)	12	77207	Seal
4	61287	Brush Assembly Set	13	77202	O-Ring
5	10923	Screw, #10-24 x 2" S.H.C.S. Cap (6)	14	77232	Bearing
6	10928	Insulator	15	77227	Armature Sleeve
7	77267	Warning Label Set	16	43017	Bearing
8	22038	Motor Housing	17	84087	Armature Assembly 115V
9	45897	Field 115V		84082	Armature Assembly 230V
	58567	Field 230V		84092	Armature Assembly 100V
	58572	Field 100V	18	42777	Rubber Sleeve

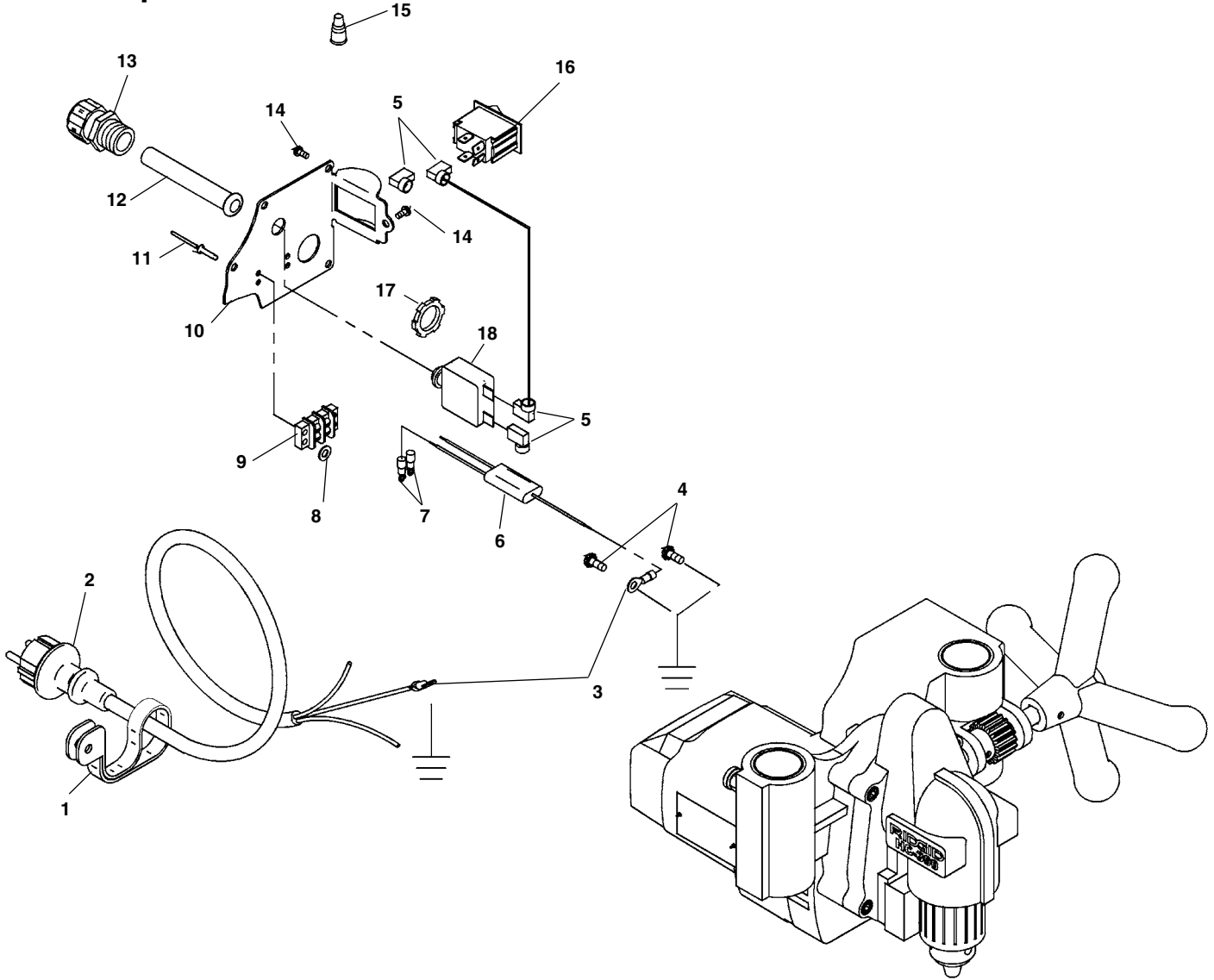
115V Components



**NOTE: Order parts by Catalog Number only.
DO NOT order by Reference Number.**

Ref. No.	Catalog No.	Description	Ref. No.	Catalog No.	Description
1	59102	Key Retainer	8	65602	Strain Relief
2	50507	Line Cord w/GFI	9	46795	Screw #10 - 24 x 1/2" (5)
3	26292	Ring Terminal	10	44635	Wire Nut
4	45420	Screw w/Washer	11	87042	Switch
5	65642	Lock Nut, 1/2" NPT	12	76992	Quick Disconnect, Right Angle (4)
6	87047	Switch Box Cover	13	61302	Circuit Breaker, 12 Amp
7	77002	Cord Guard			

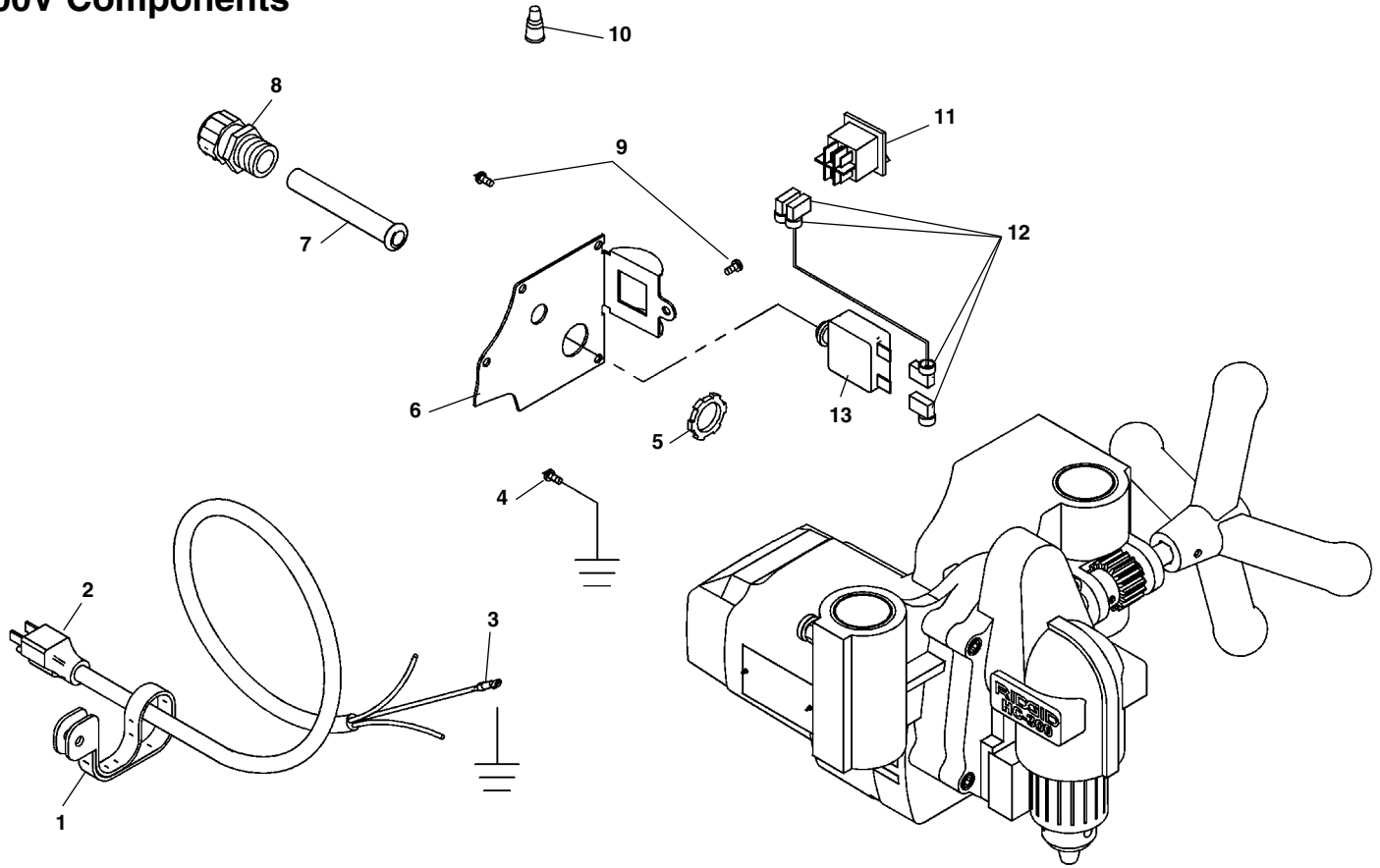
230V Components



**NOTE: Order parts by Catalog Number only.
DO NOT order by Reference Number.**

Ref. No.	Catalog No.	Description	Ref. No.	Catalog No.	Description
1	59102	Key Retainer	10	87052	Switch Box Cover
2	39562	Line Cord	11	59112	Pop Rivet $\frac{7}{32}$ " (2)
3	26292	Ring Terminal	12	77002	Cord Guard
4	45420	Screw w/Washer (2)	13	65602	Strain Relief
5	76992	Quick Disconnect, Right Angle (4)	14	46795	Screw #10 - 24 x $\frac{1}{2}$ " (5)
6	36502	Suppressor	15	44635	Wire Nut
7	90807	Ring Terminal (2)	16	87042	Switch
8	90817	Washer	17	65642	Lock Nut, $\frac{1}{2}$ " NPT
9	59367	Terminal Block	18	59357	Circuit Breaker, 6 Amp

100V Components



**NOTE: Order parts by Catalog Number only.
DO NOT order by Reference Number.**

Ref. No.	Catalog No.	Description	Ref. No.	Catalog No.	Description
1	59102	Key Retainer	8	65602	Strain Relief
2	89155	Line Cord	9	46795	Screw #10 - 24 x 1/2" (5)
3	26292	Ring Terminal	10	44635	Wire Nut
4	45420	Screw w/Washer (2)	11	87042	Switch
5	65642	Lock Nut, 1/2" NPT	12	76992	Quick Disconnect, Right Angle (4)
6	87047	Switch Box Cover	13	58962	Circuit Breaker, 15 Amp
7	77002	Cord Guard			