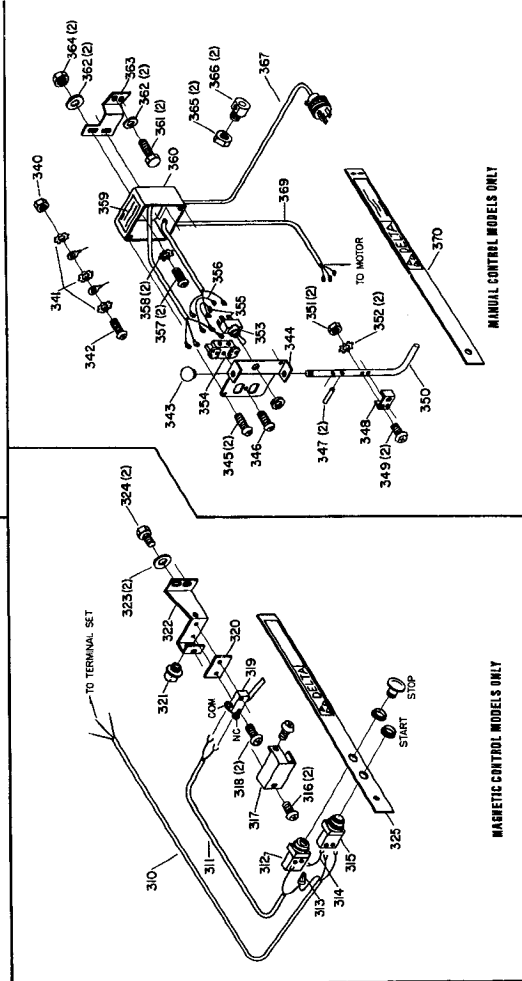
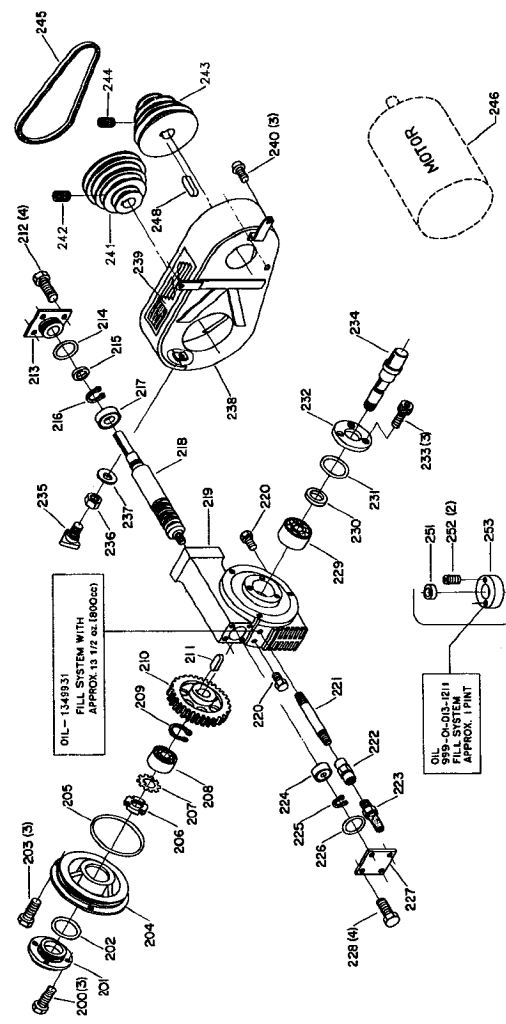
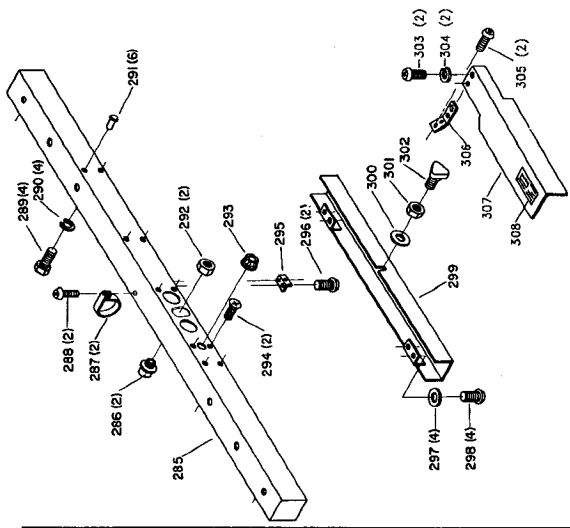


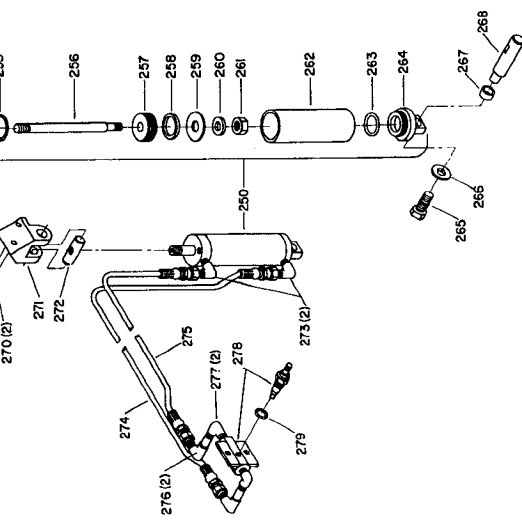
REPLACEMENT PARTS

<u>REF. NO.</u>	<u>PART NUMBER</u>	<u>DESCRIPTION</u>	<u>REF. NO.</u>	<u>PART NUMBER</u>	<u>DESCRIPTION</u>
*	1340955	BLADE TENSION ASSY, CONST OF:	75	904-01-010-1606	7/16" FLAT WASHER
1	1340965	SLIDE	*	1341265	LEFT BLADE GUIDE ASSY, CONST OF:
2	1243476	(DIN 934) M12 HEX NUT	76	1341115	LEFT BEARING BRACKET
3	1340966	SPECIAL SET SCR	77	1243321	(DIN 916) M6 X 10MM HEX SOC SET SCR
4	904-01-010-1606	7/16" FLAT WASHER	78	1341077	CARBIDE GUIDE
5	1340973	(DIN 933) M10 X 65MM HEX HD SCR	79	1243336	(DIN 912) M6 X 20MM HEX SOC HD SCR
6	1340968	SPRING, DISC	80	1341074	ECCENTRIC SHAFT
7	1340969	INDICATOR DIAL	81	1341072	BALL BEARING
8	1340970	THRUST BEARING	82	1341071	EXT RET RING
9	904-01-010-1608	5/8" FLAT WASHER	83	1341073	STRAIGHT SHAFT
10	1340972	SPECIAL SCR	84	1341078	THRUST BEARING
11	1340964	SCALE	85	1341086	HOSE
12	1246088	(DIN 84) M5 X 6MM CHEESE HD SCR	86	1341087	HOSE CLAMP
13	1340975	SPRING	*	1341088	BRACKET ASSY, CONST OF:
14	1341261	BRACKET ASSY W/PIN	87	1341089	HOSE FITTING
15	1341262	HANDWHEEL ASSY, INCL:	88	1341093	TUBE FITTING
16	1243321	(DIN 916) M6 X 10MM HEX SOC SET SCR	89	1341091	BRACKET
17	1341239	KNOB	90	1341092	VALVE
18	1340958	KEY	91	1246104	(DIN 912) M6 X 25MM HEX SOC HD SCR
19	1341263	SHAFT W/COLLAR, INCL:	92	1341094	HOSE
20	1341226	PIN	93	1246074	(DIN 912) M10 X 30MM HEX SOC HD SCR
21	1246018	(DIN 933) M10 X 25MM HEX HD SCR	94	904-02-020-1704	3/8" LOCK WASHER
22	904-02-020-1704	3/8" LOCK WASHER	95	1341226	PIN
23	1340979	GIB	96	1340989	PIVOT SHAFT
24	1340962	BRACKET	97	1341022	DRIVE WHEEL BOX
25	1246074	(DIN 912) M10 X 30MM HEX SOC HD SCR	98	1341023	HOSE
26	904-02-020-1704	3/8" LOCK WASHER	99	1341024	HOSE FITTING
27	1246174	(DIN 933) M10 X 15MM HEX HD SCR	100	1246011	(DIN 913) M8 X 20MM HEX SOC SET SCR
28	1341222	PLATE	101	1246100	(DIN 912) M10 X 20MM HEX SOC HD SCR
29	1310016	5MM DRIVE SCR	102	1243398	(DIN 934) M8 HEX NUT
30	1341047	IDLER WHEEL BOX	103	904-02-010-1703	5/16" LOCK WASHER
31	1341026	BRACKET	104	904-01-010-1605	3/8" FLAT WASHER
32	1246045	(DIN 84) M6 X 10MM CHEESE HD SCR	105	1341062	MOTOR PLATE
33	1341045	(DIN 912) M12 X 25MM HEX SOC HD SCR	106	1243321	(DIN 916) M6 X 10MM HEX SOC SET SCR
34	1340988	SPACER	107	1341061	EXT RET RING
35	1340983	IDLER WHEEL ASSY, INCL:	108	1341063	PIVOT SHAFT
36	1340984	INT RET RING	109	1246079	(DIN 933) M8 X 40MM HEX HD SCR
37	1340986	BALL BEARING	110	1341060	BRACKET
38	1340987	SPECIAL WASHER	111	1341058	BRACKET
39	904-01-010-1606	7/16" FLAT WASHER	112	904-01-010-1606	7/16" FLAT WASHER
40	1246174	(DIN 933) M10 X 15MM HEX HD SCR	113	1341056	KNOB W/SHAFT
41	1341119	IDLER WHEEL COVER	114	1246100	(DIN 912) M10 X 20MM HEX SOC HD SCR
42A	1341065	COVER HANDLE (EMO)	115	1341011	(DIN 916) M8 X 10MM HEX SOC SET SCR
42B	904-02-020-1725	3/16" LOCK WASHER (EMO)	116	1243530	(DIN 912) M8 X 30MM HEX SOC HD SCR
42C	1341067	W.15-32 X 1/4" ROUND HD SCR (EMO)	117	904-02-010-1703	5/16" LOCK WASHER
43A	1348785	COVER HANDLE (CMO)	118	1341020	DRIVE WHEEL ASSY, INCL:
43B	1246157	(DIN 7980) M8.1 LOCK WASHER (CMO)	118A	1341011	(DIN 916) M8 X 10MM HEX SOC SET SCR
43C	1243398	(DIN 934) M8 HEX NUT (CMO)	119	1341003	KEY
45	1246045	(DIN 84) M6 X 10MM CHEESE HD SCR	120	1341064	DRIVE WHEEL COVER
*	1341118	LEFT COLUMN SUPPORT ASSY, CONST OF:	121A	1341065	COVER HANDLE (EMO)
46	1341251	CLAMP	121B	1341067	W.15-32 X 1/4" ROUND HD SCR (EMO)
47	1341252	BRACKET	121C	904-02-020-1725	3/16" LOCK WASHER (EMO)
48	1341250	BRACKET	122A	1348785	COVER HANDLE (CMO)
49	904-01-010-1606	7/16" FLAT WASHER	122B	1246157	(DIN 7980) M8.1 LOCK WASHER (CMO)
50	1246035	(DIN 933) M10 X 30MM HEX HD SCR	122C	1243398	(DIN 934) M8 HEX NUT (CMO)
51	1246114	(DIN 934) M16 HEX NUT	125	426-06-752-0004	WARNING LABEL
52	904-01-010-1613	11/16" FLAT WASHER	126	1243456	(DIN 934) M6 HEX NUT
53	1341099	SPECIAL STUD	127	1341069	COVER, BRUSH
54	1341100	COLUMN	128	1246045	(DIN 84) M6 X 10MM CHEESE HD SCR
55	1341101	KNOB	129	1243476	(DIN 934) M12 HEX NUT
56	1243321	(DIN 916) M6 X 10MM HEX SOC SET SCR	130	1341085	SPRING
57	1341103	SHAFT	*	1341070	RIGHT BLADE GUIDE ASSY, CONST OF:
58	1341105	NUT	131	1341080	PIN
59	1341104	(DIN 84) M6 X 20MM CHEESE HD SCR	132	1341075	BEARING BRACKET - RIGHT
60	904-02-020-1702	1/4" LOCK WASHER	133	1243321	(DIN 916) M6 X 10MM HEX SOC SET SCR
61	1341264	COLUMN CLAMP ASSY, INCL:	134	1341077	CARBIDE GUIDE
62	1341226	PIN	135	1243336	(DIN 912) M6 X 20MM HEX SOC HD SCR
63	1341109	SPRING	136	1341074	ECCENTRIC SHAFT
64	1246045	(DIN 84) M6 X 10MM CHEESE HD SCR	137	1341072	BALL BEARING
65	1341106	HOSE CLAMP	138	1341071	EXT RET RING
66	1341107	ARM	139	1341073	STRAIGHT SHAFT
67	1341098	RIGHT COLUMN SUPPORT BRACKET	140	1341078	THRUST BEARING
68	1243379	(DIN 912) M6 X 10MM HEX SOC HD SCR	141	1341083	BRUSH SHAFT
69	1341116	BRACKET	142	1341267	COLLAR, INCL:
70	1341114	COOLANT TUBE	143	901-04-190-0203	1/4-20 X 3/8" HEX SOC SET SCR
71	1341110	CLAMP	144	1341082	SPACER
72	904-01-010-1606	7/16" FLAT WASHER	145	1341081	BRUSH
73	1341112	CLAMP HANDLE			
74	1243554	(DIN 912) M8 X 35MM HEX SOC HD SCR			

* NOT SHOWN ASSEMBLED
EMO = EARLY MODELS ONLY
CMO = CURRENT MODELS ONLY



MANUAL CONTROL MODELS ONLY

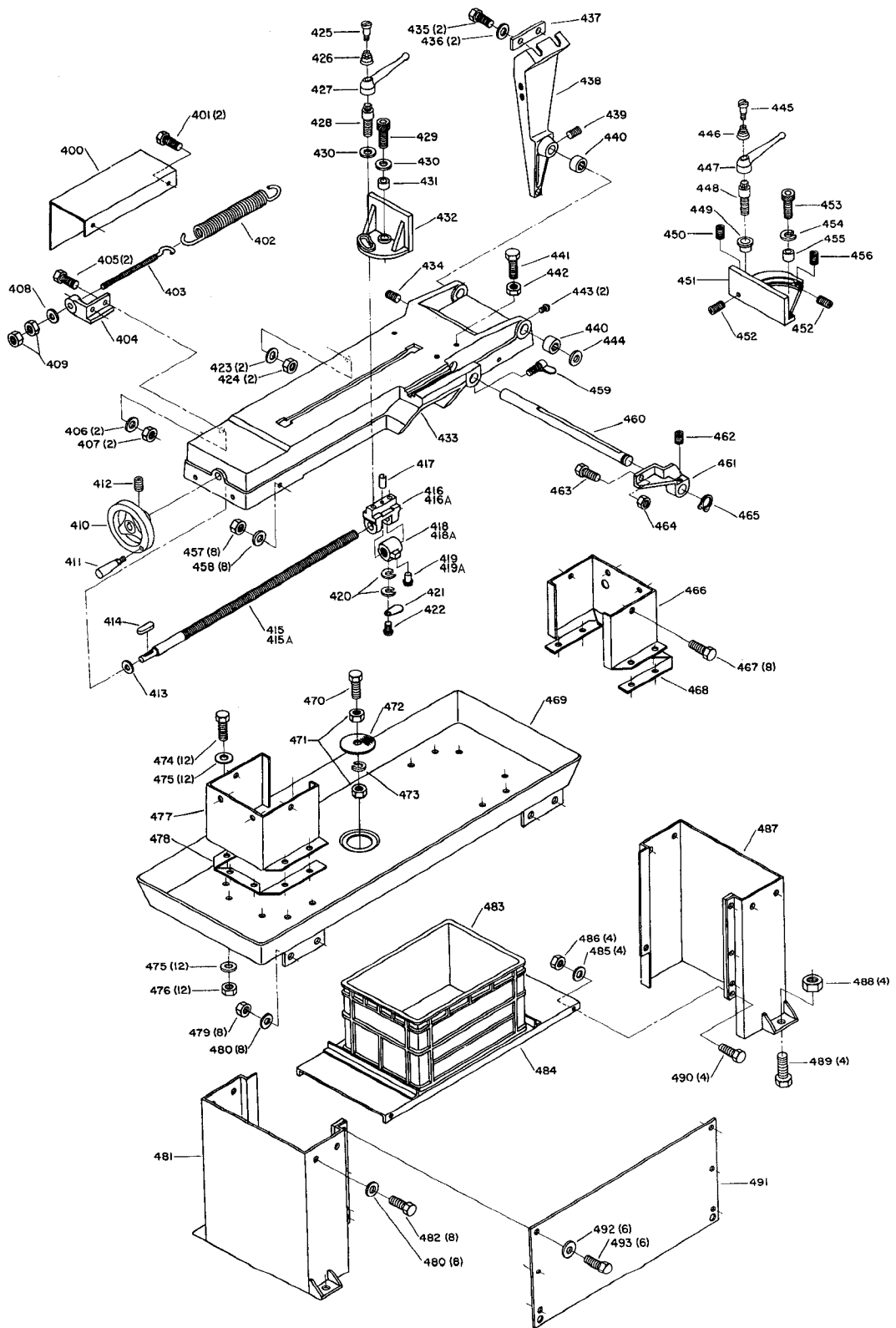


MAGNETIC CONTROL MODELS ONLY

REPLACEMENT PARTS

<u>REF. NO.</u>	<u>PART NUMBER</u>	<u>DESCRIPTION</u>	<u>REF. NO.</u>	<u>PART NUMBER</u>	<u>DESCRIPTION</u>
*	1340990	GEAR BOX ASSY, CONST OF:	275	1341030	HOSE W/FITTINGS
200	1246014	(DIN 933) M6 X 15MM HEX HD SCR	276	1341033	HOSE FITTING
201	1341001	BEARING COVER	277	1341034	TUBE FITTING
202	1341007	O RING	278	1341032	VALVE ASSY, INCL:
203	1246079	(DIN 933) M8 X 40MM HEX HD SCR	279	1341035	O RING
204	1341000	GEAR BOX COVER	285	1341038	COLUMN
205	1340999	O RING	286	1341028	STRAIN RELIEF
206	1341009	BEARING NUT	287	1341234	CLIP
207	1341008	LOCK WASHER	288	1341235	(DIN 84) M4 X 12MM CHEESE HD SCR
208	1341006	TAPERED ROLLER BEARING	289	1246018	(DIN 933) M10 X 25MM HEX HD SCR
209	1341005	EXT RET RING	290	904-02-020-1704	3/8" LOCK WASHER
210	1341004	WORM GEAR	291	1246088	(DIN 84) M5 X 6MM CHEESE HD SCR
211	1341003	KEY	292	1341029	.37 HEX NUT
212	1246014	(DIN 933) M6 X 15MM HEX HD SCR	293	1341037	KNOB
213	1341019	RETAINER	294	1246155	(DIN 963) M6 X 12MM FLAT HD SCR
214	1341007	O RING	295	1341040	BRACKET
215	1341017	OIL SEAL	296	1246045	(DIN 84) M6 X 10MM CHEESE HD SCR
216	1341005	EXT RET RING	297	904-02-020-1702	1/4" LOCK WASHER
217	920-04-021-6559	BALL BEARING	298	1246088	(DIN 84) M5 X 6MM CHEESE HD SCR
218	1341015	WORM SHAFT	299	1341044	UPPER BLADE COVER
219	1340998	GEAR BOX	300	904-01-010-1605	3/8" FLAT WASHER
220	1340994	DRAIN PLUG	301	1341248	W.31-18 HEX NUT
221	1340997	VENT TUBE	302	1341043	KNOB
222	1340996	COUPLER	303	1246045	(DIN 84) M6 X 10MM CHEESE HD SCR
223	1340995	VENT PLUG	304	904-02-020-1702	1/4" LOCK WASHER
224	1086894	BALL BEARING	305	1246002	(DIN 84) M6 X 12MM CHEESE HD SCR
225	1341016	EXT RET RING	306	1341121	BRACKET
226	1341013	O RING	307	1341122	BLADE GUARD
227	1341012	COVER	308	1341223	PLATE
228	1246014	(DIN 933) M6 X 15MM HEX HD SCR	310	1341190	CABLE
229	1340993	TAPERED ROLLER BEARING	311	1341197	CABLE
230	1340992	OIL SEAL	312	1341189	SWITCH STOP
231	1341244	O RING	313	1341198	WIRE NUT
232	1341243	CAP	314	1341188	CABLE
233	1246014	(DIN 933) M6 X 15MM HEX HD SCR	315	1341187	START SWITCH
234	1340991	OUTPUT SHAFT	316	1246045	(DIN 84) M6 X 10MM CHEESE HD SCR
235	1341043	KNOB	317	1341192	COVER
236	1341248	W.31-18 HEX NUT	318	1341193	(DIN 84) M3 X 20MM CHEESE HD SCR
237	904-01-010-1605	3/8" FLAT WASHER	319	1341194	3 PH LIMIT SWITCH
238	1341053	PULLEY COVER ASSY	320	1341195	INSULATOR
239	1341224	LABEL	321	1341028	STRAIN RELIEF
240	1341054	(DIN 84) M8 X 10MM CHEESE HD SCR	322	1341196	LIMIT SWITCH BRACKET
*	1348777	PULLEY ASSY, CONST OF:	323	904-01-010-1604	5/16" FLAT WASHER
241	1341268	MOTOR PULLEY, INCL:	324	1246013	(DIN 933) M6 X 12MM HEX HD SCR
242	1341011	(DIN 916) M8 X 10MM HEX SOC SET SCR	325	1341186	NAMEPLATE
243	1341269	PULLEY, DRIVEN, INCL:	340	1243395	(DIN 934) M5 HEX NUT
244	1341011	(DIN 916) M8 X 10MM HEX SOC SET SCR	341	904-03-030-1795	3/16" EXT TOOTH WASHER
245	1341049	BELT	342	1246088	(DIN 84) M5 X 6MM CHEESE HD SCR
246	1341236	MOTOR 1PH, 1HP	343	1341202	KNOB
248	1341052	KEY	344	1341199	ELECTRICAL BOX COVER
250	1341271	DASH POT ASSY, CONST OF:	345	1246088	(DIN 84) M5 X 6MM CHEESE HD SCR
251	1341141	OIL SEAL	346	1341247	W.12-40 X 1/4" ROUND HD SCR
252	1341140	HEX SOCKET PLUG	347	1341201	PIN
253	1341142	CAP	348	1341204	BRACKET
254	1341143	O RING	349	1243379	(DIN 912) M6 X 10MM HEX SOC HD SCR
255	1341144	O RING	350	1341200	ROD
256	1341145	ROD	351	1341205	(DIN 934) M3 HEX NUT
257	1341146	PISTON	352	1341240	LOCKWASHER
258	1341147	OIL SEAL	353	438-01-628-0004	SWITCH
259	1341148	SEAL	354	438-01-007-0060	OUTLET
260	904-01-010-1604	5/16" FLAT WASHER	355	1341218	CABLE
261	1341149	W.25-20 LOCK NUT	356	1341217	CABLE
262	1341150	CYLINDER	357	1341104	(DIN 84) M6 X 20MM CHEESE HD SCR
263	1341144	O RING	358	904-03-030-1757	1/4" EXT TOOTH WASHER
264	1341151	CAP W/BUSHING	359	426-06-072-5001	LABEL
265	1341153	(DIN 933) M8 X 12MM HEX HD SCR	360	1341207	ELECTRICAL BOX
266	904-01-010-1605	3/8" FLAT WASHER	361	1246013	(DIN 933) M6 X 12MM HEX HD SCR
267	1341238	SPACER	362	904-01-010-1604	5/16" FLAT WASHER
268	1341154	PIVOT SHAFT	363	1341208	BRACKET
269	1246054	(DIN 912) M8 X 20MM HEX SOC HD SCR	364	1243456	(DIN 934) M6 HEX NUT
270	904-02-010-1703	5/16" LOCK WASHER	365	1341029	.37 HEX NUT
271	1341138	BRACKET	366	1341028	STRAIN RELIEF
272	1341139	PIVOT-PIN	367	438-01-302-0253	CORD 230V
273	1341152	HOSE FITTING	369	1341212	CABLE
274	1341031	HOSE W/FITTINGS	370	1341219	NAMEPLATE

* NOT SHOWN ASSEMBLED



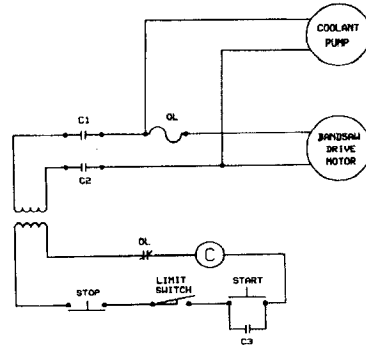
REPLACEMENT PARTS

<u>REF. NO.</u>	<u>PART NUMBER</u>	<u>DESCRIPTION</u>	<u>REF. NO.</u>	<u>PART NUMBER</u>	<u>DESCRIPTION</u>
400	1341173	SPRING GUARD	441	1341165	(DIN 933) M12 X 50MM HEX HD SCR
401	1246079	(DIN 933) M8 X 40MM HEX HD SCR	442	1243476	(DIN 934) M12 HEX NUT
402	1341172	FEED SPRING	443	1341168	NIPPLE
403	1341171	EYE SCR	444	1341166	SPACER
404	1341169	SPRING BRACKET	*	1341123	LEVER ASSY, CONST OF:
405	1246079	(DIN 933) M8 X 40MM HEX HD SCR	445	1341256	ADJ SCR
406	904-01-010-1605	3/8" FLAT WASHER	446	1341255	SPRING
407	1243398	(DIN 934) M8 HEX NUT	447	1341123	LEVER ASSY
408	904-01-010-1608	5/8" FLAT WASHER	448	1341253	SPECIAL SCR
409	1341113	W.50-12 HEX NUT	449	1341136	HAT BUSHING
410	1341262	HANDWHEEL ASSY, INCL:	450	1243321	(DIN 916) M6 X 10MM HEX SOC SET SCR
411	1341239	KNOB	451	1341133	WISE JAW BRACKET
412	1243321	(DIN 916) M6 X 10MM HEX SOC SET SCR	452	1246011	(DIN 913) M8 X 20MM HEX SOC SET SCR
413	1341158	COLLAR	453	1246172	(DIN 912) M12 X 45MM HEX SOC HD SCR
414	1340958	KEY	454	904-02-020-1705	1/2" LOCK WASHER
*	1348772	SCR ASSY COMPLETE, (CMO), CONST OF: (SEE NOTE A)	455	1341134	BUSHING
415	1348776	ACME SCR (CMO)	456	1243321	(DIN 916) M6 X 10MM HEX SOC SET SCR
416	1348775	BRACKET (CMO)	457	1243398	(DIN 934) M8 HEX NUT
417	1341226	PIN	458	904-01-010-1605	3/8" FLAT WASHER
418	1348774	ACME NUT ASSY, INCL: (CMO)	459	1341164	LEAF SCR
419	1348773	PLUG (CMO)	460	1341163	PIVOT SHAFT
420	904-02-020-1725	3/16" LOCK WASHER	461	1341162	STOP BRACKET
421	1341131	RETAINER	462	1341011	(DIN 916) M8 X 10MM HEX SOC SET SCR
422	1246088	(DIN 84) M5 X 6MM CHEESE HD SCR	463	1341229	(DIN 933) M10 X 50MM HEX HD SCR
*	1348771	SCR ASSY COMPLETE, (EMO), CONST OF: (SEE NOTE A)	464	1243496	(DIN 934) M10 HEX NUT
415A	1341159	ACME SCR (EMO)	465	1341161	EXT RET RING
416A	1341127	BRACKET (EMO)	466	1341174	TOP RIGHT LEG
417	1341226	PIN	467	1246079	(DIN 933) M8 X 40MM HEX HD SCR
418A	1341270	ACME NUT ASSY, INCL: (EMO)	468	1341175	RIGHT GASKET
419A	1341129	PLUG (EMO)	469	1341178	COOLANT PAN
420	904-02-020-1725	3/16" LOCK WASHER	470	1246014	(DIN 933) M6 X 15MM HEX HD SCR
421	1341131	RETAINER	471	1243456	(DIN 934) M6 HEX NUT
422	1246088	(DIN 84) M5 X 6MM CHEESE HD SCR	472	1341179	FILTER
423	904-01-010-1605	3/8" FLAT WASHER	473	904-02-020-1702	1/4" LOCK WASHER
424	1243398	(DIN 934) M8 HEX NUT	474	1246079	(DIN 933) M8 X 40MM HEX HD SCR
*	1341123	LEVER ASSY, CONST OF:	475	904-01-010-1605	3/8" FLAT WASHER
425	1341256	ADJ SCR	476	1243398	(DIN 934) M8 HEX NUT
426	1341255	SPRING	477	1341176	TOP LEFT LEG
427	1341123	LEVER ASSY	478	1341177	LEFT GASKET
428	1341253	SPECIAL SCR	479	1243496	(DIN 934) M10 HEX NUT
429	1246096	(DIN 912) M10 X 40MM HEX SOC HD SCR	480	904-01-010-1606	7/16" FLAT WASHER
430	904-01-010-1606	7/16" FLAT WASHER	481	1341181	LEFT LEG
431	1341125	BUSHING	482	1246018	(DIN 933) M10 X 25MM HEX HD SCR
432	1341126	WISE JAW BRACKET	483	1341130	COOLANT TANK
433	1341157	TABLE	484	1341182	UTILITY SHELF
434	1341011	(DIN 916) M8 X 10MM HEX SOC SET SCR	485	904-02-020-1702	1/4" LOCK WASHER
435	1246019	(DIN 933) M10 X 35MM HEX HD SCR	486	1243456	(DIN 934) M6 HEX NUT
436	904-02-020-1704	3/8" LOCK WASHER	487	1341180	RIGHT LEG
437	1341155	BRACKET	488	1246114	(DIN 934) M16 HEX NUT
438	1341156	BRACKET, REAR PIVOT	489	1341185	(DIN 933) M16 X 50MM HEX HD SCR
439	1341011	(DIN 916) M8 X 10MM HEX SOC SET SCR	490	1246014	(DIN 933) M6 X 15MM HEX HD SCR
440	1341167	ROLLER BEARING	491	1341183	PANEL
			492	904-01-010-1604	5/16" FLAT WASHER
			493	1246013	(DIN 933) M6 X 12MM HEX HD SCR

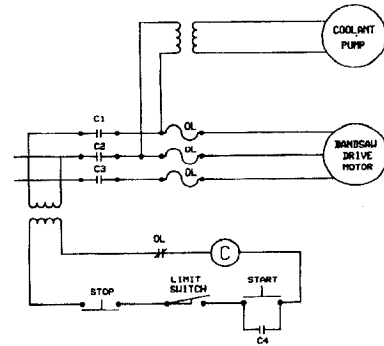
* NOT SHOWN ASSEMBLED
EMO = EARLY MODELS ONLY
CMO = CURRENT MODELS ONLY

NOTE A: CURRENT MODEL AND EARLY MODEL SCREW ASSY COMPLETE, ARE NOT INTERCHANGEABLE. THEY MUST BE REPLACED AS A COMPLETE SET.
CURRENT MODEL SCREW ASSY COMPLETE, IS IDENTIFIED BY THE 22MM IN DIA. ACME SCREW (REF. #415)
EARLY MODEL SCREW ASSY COMPLETE, IS IDENTIFIED BY THE 19MM IN DIA. ACME SCREW (REF. #415A)

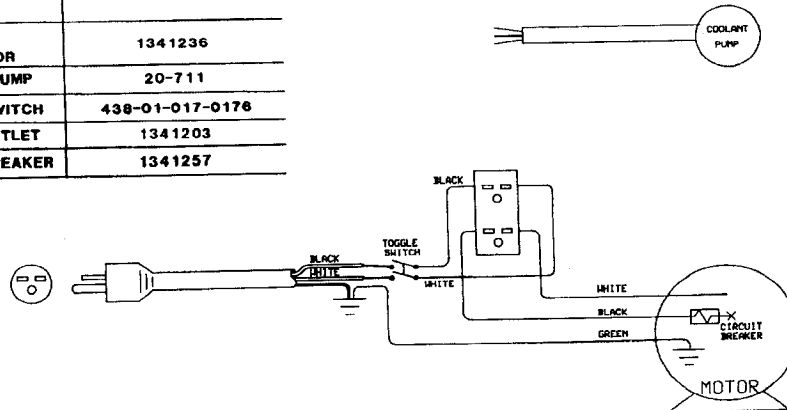
SERVICE PARTS FOR 20-707 ELECTRICAL KIT (230 VOLT, SINGLE PHASE LVCI)	
BAND SAW DRIVE MOTOR	82-040
COOLANT PUMP	20-711
MOTOR STARTER	52-704
HEATER	587-00-001-0333
START SWITCH	1341187
STOP SWITCH	1341189
LIMIT SWITCH	1341194



	SERVICE PARTS FOR 20-709 ELECTRICAL KIT (200 VOLTS, THREE PHASE)	SERVICE PARTS FOR 20-718 ELECTRICAL KIT (480 VOLTS, THREE PHASE)	SERVICE PARTS FOR 20-708 ELECTRICAL KIT (230 VOLTS, THREE PHASE)
BAND SAW DRIVE MOTOR	86-047	86-040	86-040
COOLANT PUMP	20-711	20-712	20-711
COOLANT PUMP TRANSFORMER	NONE	1201943	NONE
MOTOR STARTER	52-702	52-702	52-702
HEATER	587-00-001-0331	587-00-001-0321	587-00-001-0329
START SWITCH	1341187	1341187	1341187
STOP SWITCH	1341189	1341189	1341189
LIMIT SWITCH	1341194	1341194	1341194



SERVICE PARTS FOR 20-719 ELECTRICAL KIT	
BAND SAW DRIVE MOTOR	1341236
COOLANT PUMP	20-711
TOGGLE SWITCH	438-01-017-0176
DUPLEX OUTLET	1341203
CIRCUIT BREAKER	1341257



STANDARD SAFETY EQUIPMENT

In order to promote tool safety, Delta International Machinery Corp. strictly enforces the policy of repairing or replacing any damaged or missing standard safety equipment on machines presented to Delta Authorized Service Centers for service/repair. Any product which is presented to a Delta Authorized Service Center for repairs which contains missing or damaged standard safety equipment will have that equipment repaired or replaced and the customer will be charged for any such service/repairs. Customers can avoid such charges only if the missing safety component is supplied to the service center at the time of repair.

This parts list is provided to aid in obtaining service parts. Copies of the instruction and maintenance literature can be obtained through the Delta Technical Publications Department or through your local service outlet.

Printed in U.S.A.