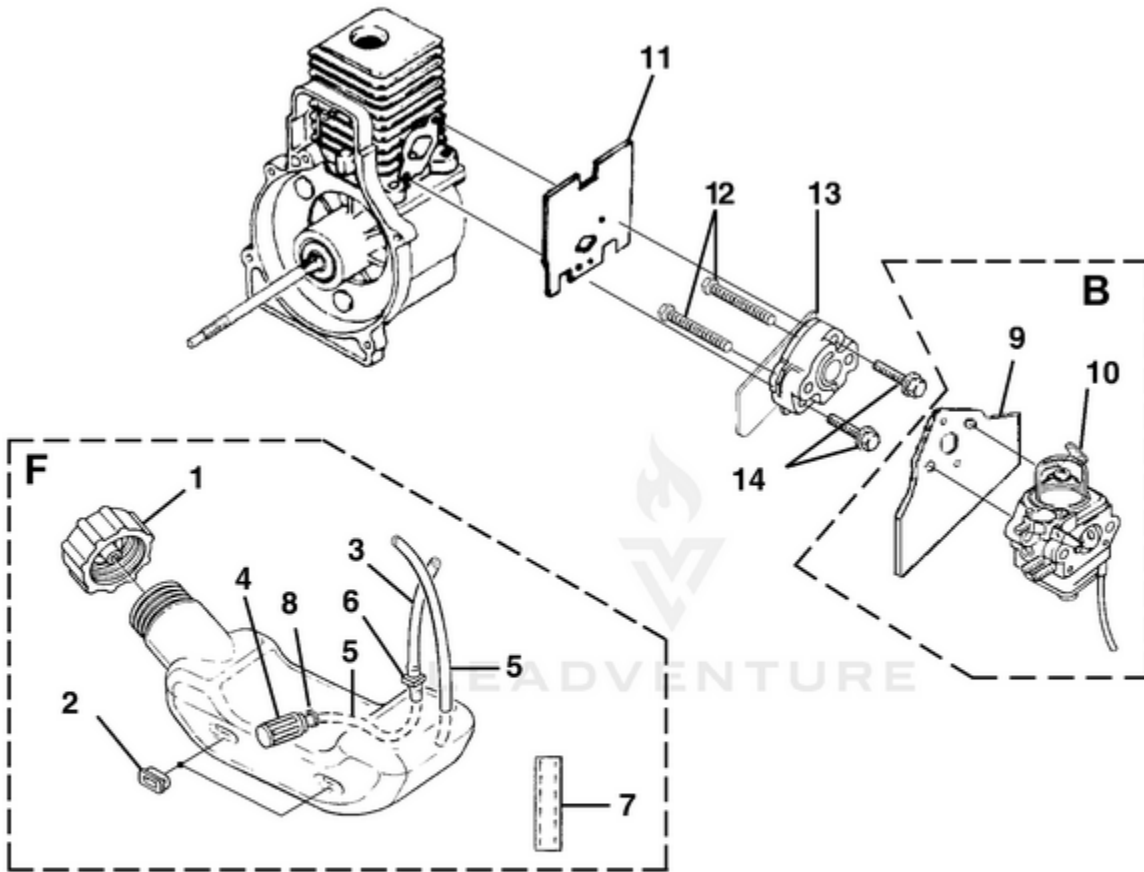


HB25155V Blower UT-08120 - Carburetor And Fuel Tank

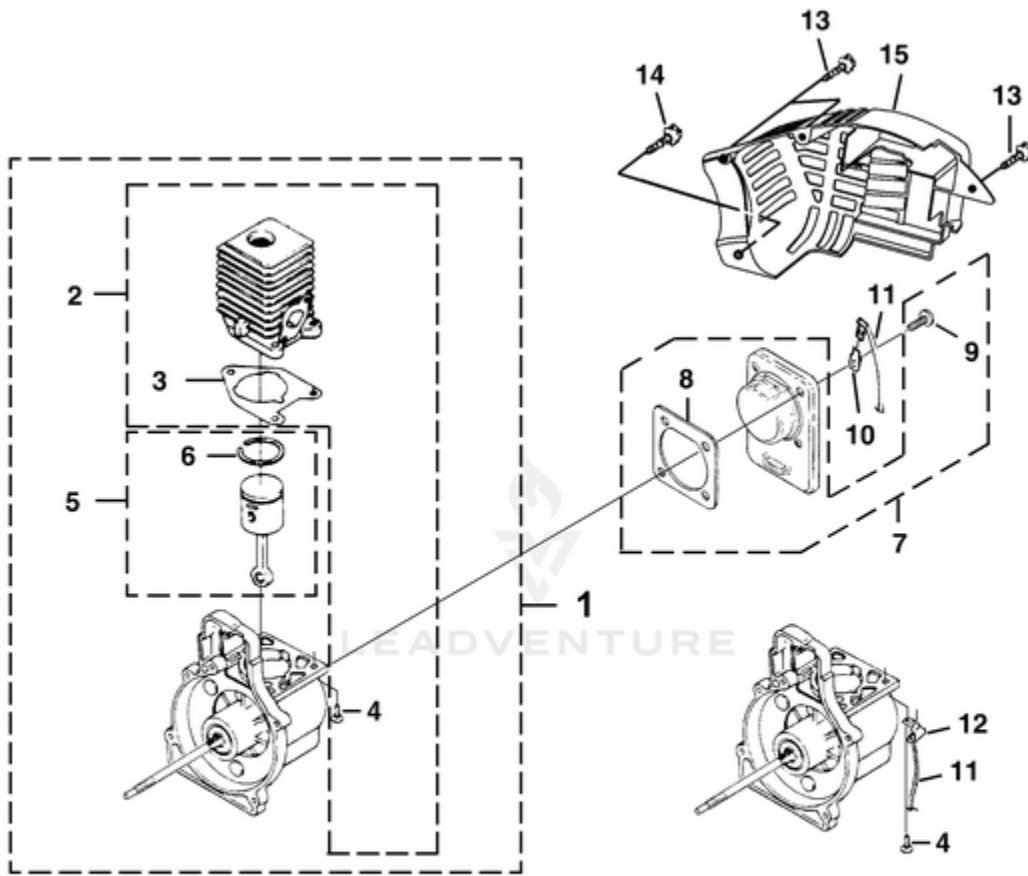


| TORQUE SPECIFICATIONS | | | |
|-----------------------|--------|---------|------------------|
| Item No. | In/Lbs | Nm | Required Loctite |
| 12 | 30-40 | 3.4-4.5 | |
| 14 | 40-50 | 4.5-5.6 | 262 Red |

Rendered by LeadVenture, Inc.

| Ref # | Part # | Description | Qty | Context Note |
|--------------|---------------|----------------------------|------------|---|
| F | UP00136A | FUEL TANK KIT | 1 | Includes Items 1-8 |
| 1 | AO9116 | FUEL CAP (1 5/8" Opening) | 1 | |
| 2 | 98792 | BUMPER-Rubber | 3 | |
| 3 | 0143922 | TUBING-Rubber (5.5") | 1 | |
| 4 | PSO3380 | FUEL FILTER | 1 | |
| 5 | 9477225 | TUBING-Rubber (6 1/4") | 2 | |
| 6 | 07332 | Fitting, Inlet | 1 | (small for 2.5mm ID fuel line) |
| | 02067 | Fitting, Inlet | 1 | (large for 3mm ID fuel line) |
| 7 | 4283309 | INSULATION-Tubing | 1 | |
| 8 | 98268 | CLAMP | 1 | |
| | 06443A | GASKET-Crankcase | 1 | (Not shown) |
| | PS01565 | SCREW, Sems (10-24 x .56) | 4 | (Not Shown) |
| B | UP00010A | CARBURETOR KIT | 1 | Includes Items 9-10 |
| 9 | 987661 | GASKET-Carburetor | 1 | Also included with Cylinder Kits |
| 10 | UP03943 | LEVER-Choke | 1 | (Walbro WT419, WT469) |
| B | UP00652 | CARBURETOR KIT | 1 | Includes Items 9-10; (Back Packer(TM), BP250I, BP25175) |
| 9 | 98766A | GASKET-Carburetor | 1 | Also included with Cylinder Kits |
| 10 | UP03943 | LEVER-Choke | 1 | (Walbro WT419, WT469) |
| 11 | 00775A | GASKET-Heat Dam | 1 | Also included with Cylinder Kits |
| 12 | 04474 | CARB. BOLT | 2 | |
| 13 | 98768A | HEAT DAM | 1 | |
| 14 | 093221 | USE 660662001 | 2 | |

HB25155V Blower UT-08120 - Engine Internal

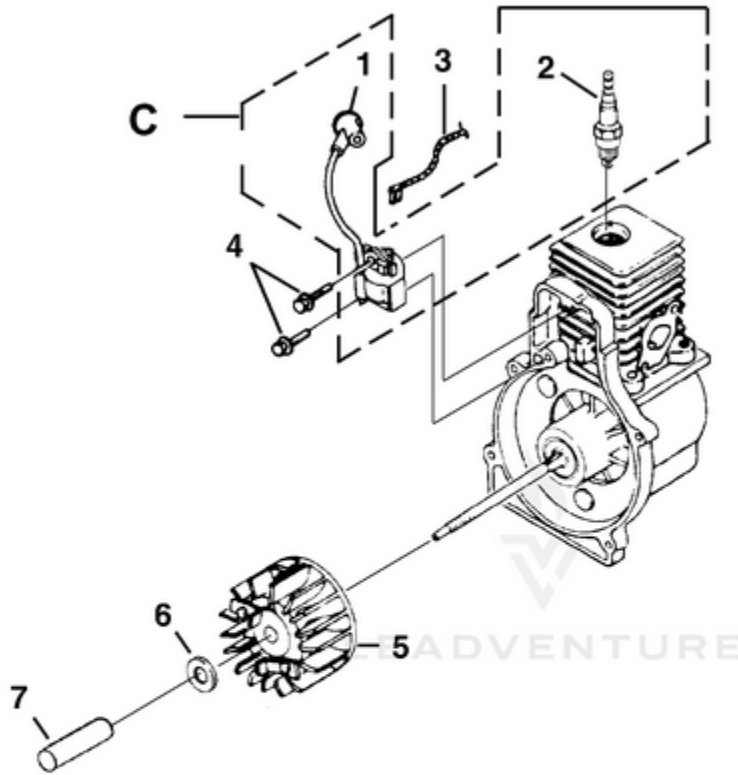


| TORQUE SPECIFICATIONS | | | |
|-----------------------|--------|---------|------------------|
| Item No. | In/Lbs | Nm | Required Loctite |
| 4 | 55-65 | 6.2-7.3 | 262 Red |
| 9 | 55-65 | 6.2-7.3 | 262 Red |
| 13 | 8-12 | 9-1.4 | |
| 14 | 20-30 | 2.3-3.4 | |

Rendered by LeadVenture, Inc.

| Ref # | Part # | Description | Qty | Context Note |
|--------------|---------------|------------------------------------|------------|---------------------------------------|
| 1 | UP03369A | SHORT BLOCK (25cc) | 1 | Includes Items 2-9 |
| 2 | UP04136A | 25 CC CYLINDER KIT | 1 | Includes Items 3-4 |
| 3 | 04388B | GASKET-Cylinder | 1 | |
| | 00394B | GASKET-Muffler | 1 | (Not Shown) |
| | 00775A | GASKET-Heat Dam | 1 | (Not Shown) |
| 4 | PS02807 | SCREW, SEMS (12-24 x 3/4) | 3 | |
| 5 | 984544001 | 25 CC PISTON & ROD | 1 | Includes Item 6 |
| 6 | PS01359 | RING-Piston | 1 | |
| 7 | PS02130 | CRANKCASE COVER-Stamped Steel | 1 | Includes items 8-9 |
| 8 | 06443A | GASKET-Crankcase | 1 | Also included with Cylinder Kits. |
| 9 | PS01565 | SCREW, SEMS (10-24 x .56) | 4 | |
| 10 | 02851 | TAB-Male | 1 | |
| 11 | PA00666 | CABLE-Throttle w/Ignition Leads | 1 | (Back Packer(TM), BP250I, BP25175) |
| 12 | A01767 | CABLE BRACKET | 1 | (Back Packer(TM), BP250I, BP25175) |
| 13 | 82376 | SCREW-Thread Form. (#8 X 1/2") | 3 | |
| 14 | 82563 | SCREW-Thread Form. (#10 X 3/4") | 1 | |
| 15 | UP06522A | SHROUD | 1 | |

HB25155V Blower UT-08120 - Ignition With Rotor

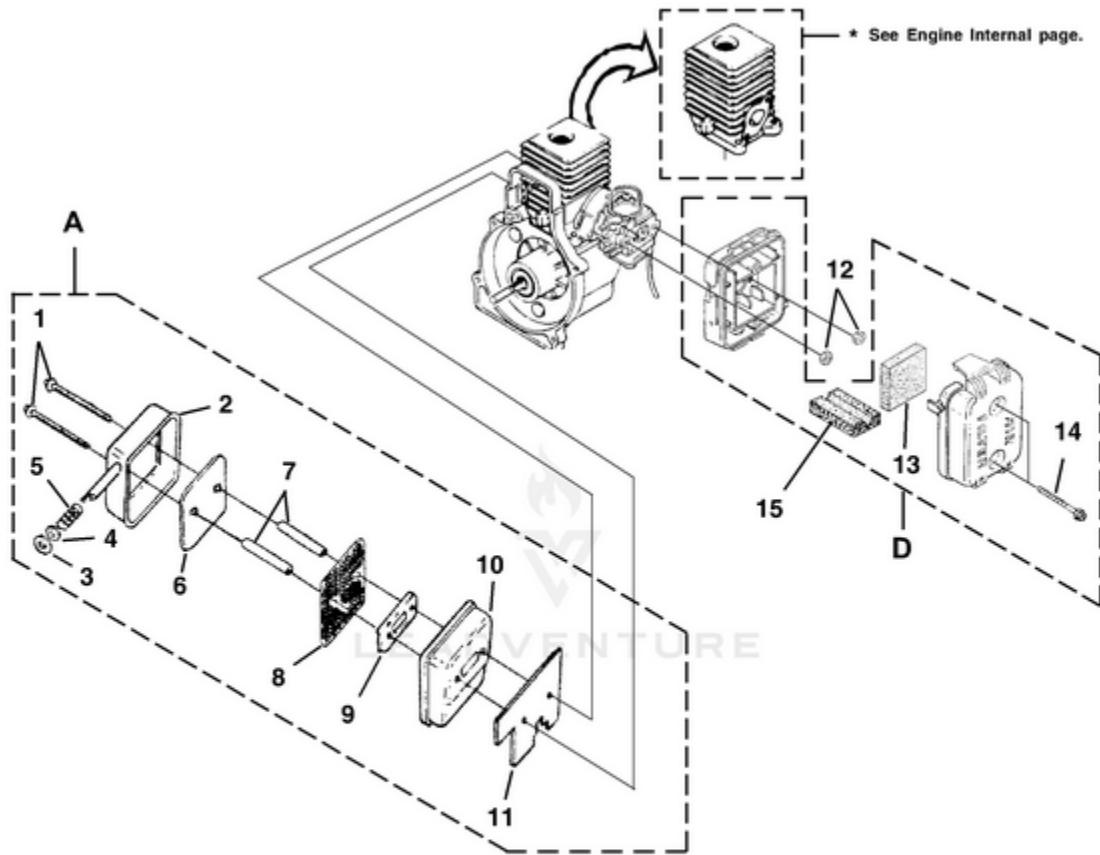


| TORQUE SPECIFICATIONS | | | |
|-----------------------|---------|-----------|------------------|
| Item No. | In/Lbs | Nm | Required Loctite |
| 2 | 120-180 | 13.6-20.3 | |
| 4 | 30-40 | 3.4-4.5 | 242 Blue |

Rendered by LeadVenture, Inc.

| Ref # | Part # | Description | Qty | Context Note |
|--------------|---------------|------------------------------------|------------|---------------------------------------|
| C | UP06784 | IGNITION KIT w/ Module | 1 | Includes items 1-2 |
| 1 | UP03868 | TERMINAL-Hi-Tension | 1 | |
| 2 | PSO2227 | SPARK PLUG (RDJ-7Y) | 1 | (Back Packer(TM), BP250I, BP25175) |
| 3 | PA00666 | CABLE-Throttle w/Ignition Leads | 1 | |
| 4 | 82540 | SCREW-Thread Form. (8-32 x 1") | 2 | |
| 5 | 984531001 | ROTOR & STARTER PAWLS | 1 | |
| 6 | 95479A | WASHER-Flat | 1 | |
| 7 | PSO3566 | SPACER-Fan | 1 | |

HB25155V Blower UT-08120 - Muffler And Air Cleaner

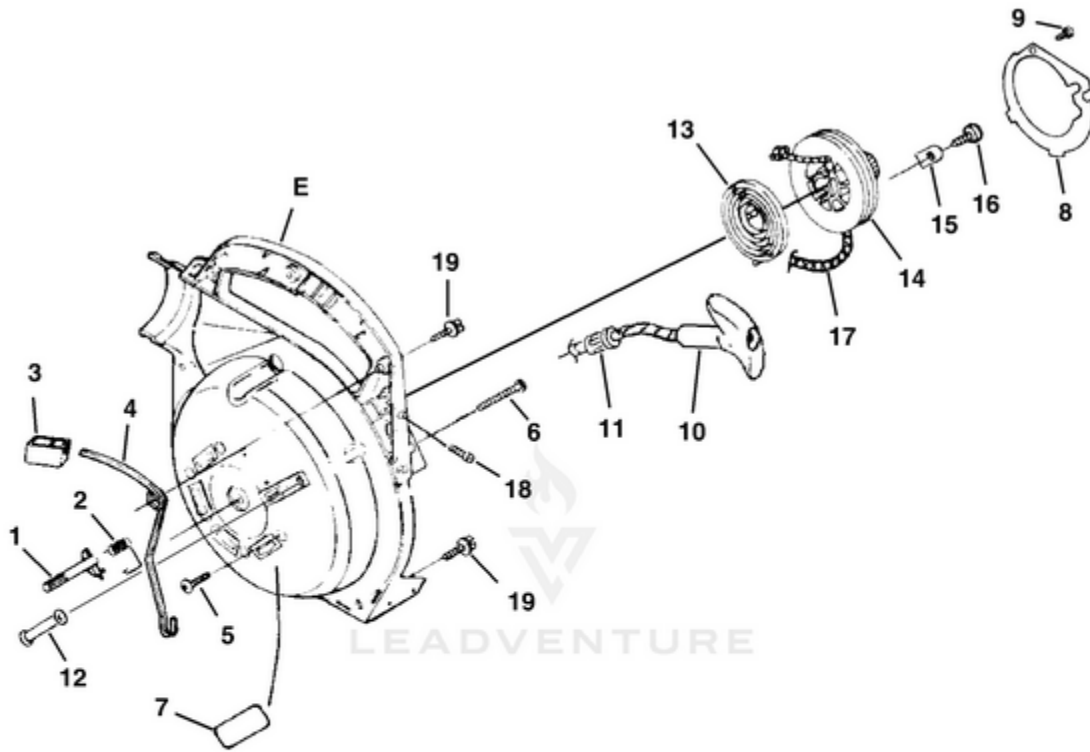


| TORQUE SPECIFICATIONS | | | |
|-----------------------|--------|---------|------------------|
| Item No. | In/Lbs | Nm | Required Loctite |
| 1 | 40-50 | 4.5-5.6 | |
| 12 | 30-40 | 3.4-4.5 | |
| 14 | 30-40 | 3.4-4.5 | |

Rendered by LeadVenture, Inc.

| Ref # | Part # | Description | Qty | Context Note |
|--------------|---------------|--|------------|--|
| A | PA01181 | MUFFLER-Complete | 1 | Includes Items 1-11 |
| 1 | 88060 | SCREW-Sems Hex Hd. (10-24 x 2 1/2") | 2 | |
| 2 | A00366 | MUFFLER COVER | 1 | |
| 3 | 00381 | WASHER-Insulating | 1 | |
| 4 | 84117 | WASHER-Flat | 1 | |
| 5 | 00387 | SPRING-Compression | 1 | |
| 6 | 00777 | DEFLECTOR-Muffler | 1 | |
| 7 | 04785 | SPACER-Muffler | 2 | |
| 8 | 00388B | SCREEN-Spark Arrestor | 1 | |
| 9 | 98783 | PLATE-Reinforcing | 1 | |
| 10 | 98781 | BODY-Muffler | 1 | |
| 11 | 00394B | GASKET-Muffler | 1 | Also included with Short block & Cylinder Kits. |
| 12 | 81208 | NUT-Hex (10-24) | 2 | |
| D | UP00011 | AIR FILTER KIT | 1 | Includes items 13-14 |
| 13 | 98760 | AIR FILTER | 1 | |
| 14 | 093221 | USE 660662001 | 2 | |
| 15 | 04857 | FOAM AIR FILTER | 1 | Not Used on UT08111 and UT08111A |

HB25155V Blower UT-08120 - Starter

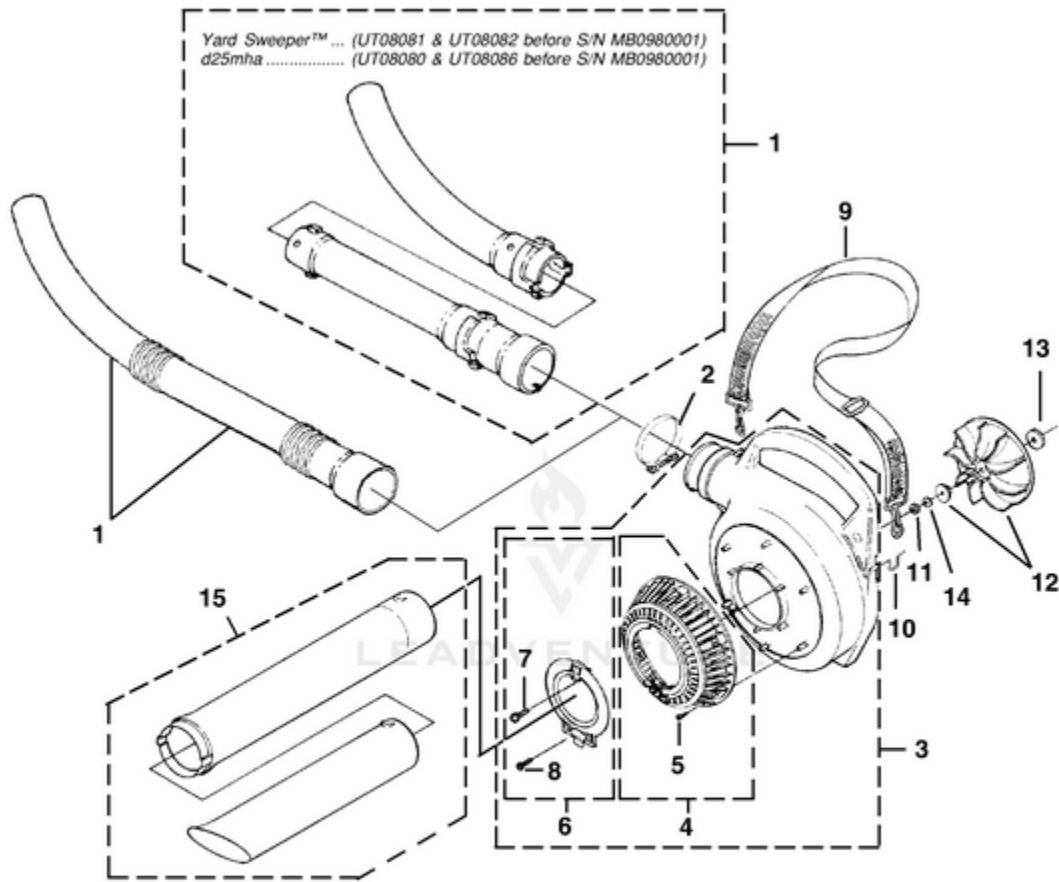


| TORQUE SPECIFICATIONS | | | |
|-----------------------|--------|---------|------------------|
| Item No. | In/Lbs | Nm | Required Loctite |
| 5 | 55-60 | 6.2-6.8 | |
| 6 | 20-30 | 2.3-3.4 | |
| 9 | 8-12 | 9-1.4 | |
| 16 | 30-40 | 3.4-4.5 | |
| 18 | 20-30 | 2.3-3.4 | |
| 19 | 20-30 | 2.3-3.4 | |

Rendered by LeadVenture, Inc.

| Ref # | Part # | Description | Qty | Context Note |
|--------------|---------------|-----------------------------------|------------|----------------------------------|
| 1 | 00368A | LATCH-Throttle | 1 | Not Used on UT08111 and UT08111A |
| 2 | 00370 | SPRING-Throttle Latch | 1 | Not Used on UT08111 and UT08111A |
| 3 | 00367 | TRIGGER-Throttle | 1 | Not Used on UT08111 and UT08111A |
| 4 | 00369A | LEVER-Throttle | 1 | Not Used on UT08111 and UT08111A |
| 5 | 82538 | SCREW-Thread Form. (10-24 X 3/4") | 4 | |
| 6 | JA416903 | SCREW-Thread Form. (#10 X 1 5/8") | 1 | |
| E | UP06792A | VOLUTE HOUSING & STARTER | 1 | Includes items 7-17 |
| 7 | UP03822A | KIT-Sealing | 1 | Not Used on UT08111 and UT08111A |
| 8 | 00374 | PLATE-Rotor | 1 | |
| 9 | 82528 | SCREW-Thread Form. (#6 X 1 3/8") | 1 | |
| 10 | 5946702 | GRIP-Starter (Yellow) | 1 | Not Used on UT08111 and UT08111A |
| | PSO1200 | GRIP-Starter (Yellow) | 1 | |
| 11 | 969811A | BUSHING-Starter | 1 | |
| 12 | 00364B | GUIDE-Starter Rope | 1 | |
| 13 | A98773A | SPRING & CONTAINER | 1 | |
| 14 | 98770A | PULLEY-Starter | 1 | |
| 15 | 98791 | BRACKET-Retaining | 2 | |
| 16 | 82541 | SCREW-Thread Form. (#10 X 1/2") | 2 | |
| 17 | 9789901 | ROPE-Starter | 1 | |
| 18 | PS82146 | SCREW-Phil. Hd. (8-32 X 5/8") | 1 | Not Used on UT08111 and UT08111A |
| 19 | 82563 | SCREW-Thread Form. (10-24 X 3/4") | 5 | |

HB25155V Blower UT-08120 - Volute, Fan & Tubes



| TORQUE SPECIFICATIONS | | | |
|-----------------------|---------|-----------|------------------|
| Item No. | In/Lbs | Nm | Required Loctite |
| 5 | 8-12 | 9-1.4 | |
| 7 | 10-20 | 1.1-2.3 | |
| 8 | 8-12 | 9-1.4 | |
| 11 | 130-150 | 14.7-16.9 | |

Rendered by LeadVenture, Inc.

| Ref # | Part # | Description | Qty | Context Note |
|--------------|---------------|-----------------------------------|------------|---------------------|
| 1 | 984917001 | BLOWER TUBE KIT | 1 | |
| 2 | 00433B | CLAMP w/Fasteners | 1 | |
| 3 | 984918001 | VOLUTE HOUSING KIT | 1 | Includes Items 4-8 |
| 4 | UP06720A | BLOWER VAC GRILLE KIT | 1 | Includes Item 5 |
| 5 | 82528 | SCREW-Thread Form. (#6 X 3/8") | 6 | |
| 6 | 984910001 | ACCESS DOOR KIT | 1 | Includes Items 7-8 |
| 7 | 82312 | SCREW-Thread Rolling (#10 X 5/8") | 1 | |
| 8 | 82376 | SCREW-Thread Form. (#8 X 1/2") | 1 | |
| 9 | 96337C | SHOULDER STRAP | 1 | |
| 10 | 00398 | WIRE LOOP | 1 | |
| 11 | 81124A | NUT-Hex (3/8-24) | 1 | |
| 12 | UP06826A | BLOWER FAN KIT | 1 | |
| 13 | 03165 | WASHER-Flat | 2 | |
| 14 | 03163 | WASHER-Bellville (3/8") | 1 | |
| 15 | UP06705A | VACCUM TUBE KIT | 1 | (Vacuum units only) |