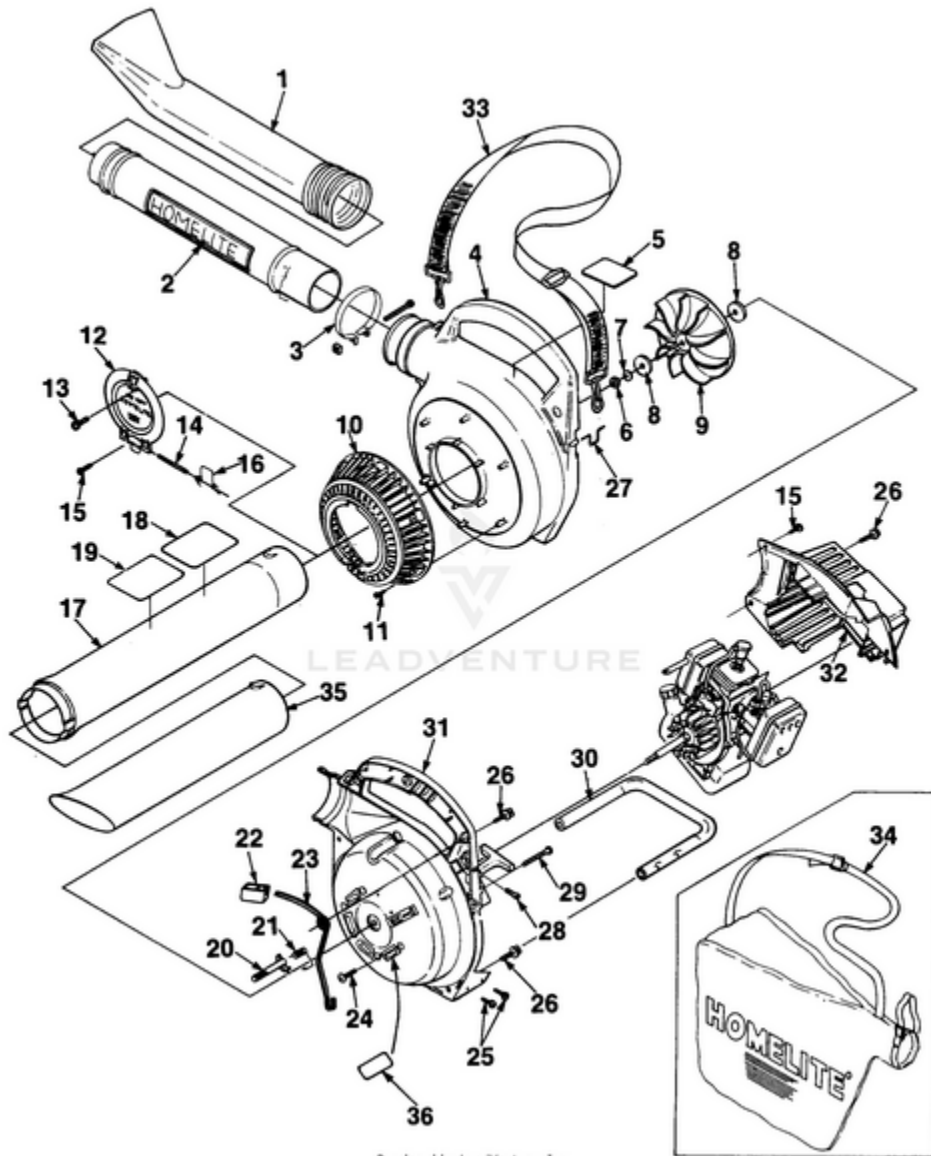


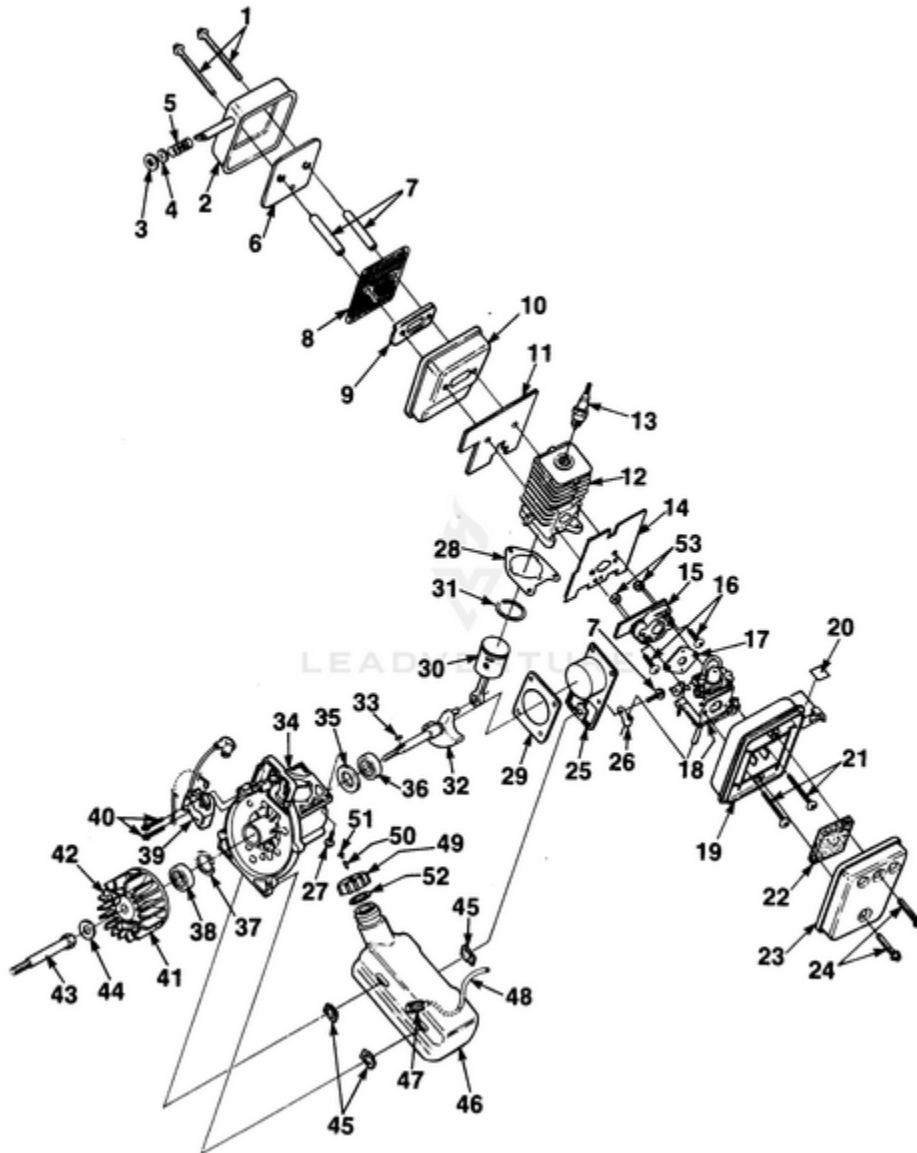
HB180V Blower UT-08010 - Blower



Rendered by LeadVenture, Inc.

Ref #	Part #	Description	Qty	Context Note
1	00373	NOZZLE - Sweeper	1	
2	A00399A	TUBE w/DECAL	1	
3	00433	CLAMP	1	
4	00316	HOUSING - Volute (outer)	1	
5	00375	DECAL - Warning	1	
6	81117	NUT - Hex 5/16-24	1	
7	70788	WASHER - Belleville #10	1	
8	00380	WASHER - Fan	2	
9	00318	FAN - Blower	1	
10	00320	GRILLE - Blower Vac	1	
11	82528	SCREW - Thd forming (#6-19 x 3/4)	6	
12	00319	COVER - Access	1	
13	82312	SCREW - Thd Rolling #10 x 5/8	1	
14	00384	PIN - Cover hinge	1	
15	82376	SCREW - Thd forming #8 x 1/2	1	
16	00371	SPRING - Access Cover	1	
17	A00386	TUBE w/DECAL (Inner) 180V Only	1	(INCLUDES #18 & 19)
18	00376	DECAL (180V Only)	1	
19	00819	DECAL - Warning 180V Only	1	
20	00368	LATCH - Throttle	1	
21	00370	SPRING - Throttle latch	1	
22	00367	TRIGGER - Throttle	1	
23	00369	LEVER - Throttle	1	
24	82508	SCREW - Thd Forming	1	
25	82348	SCREW - Tapping pan #8 x 1/2	4	
26	70771	SCREW - Thd forming #10 x 3/4	1	
27	00398	LOOP - Wire	1	
28	82146	SCREW - Fil. hd. #8-32 x 5/8	1	
29	JA416903	SCREW - Hex hd. #10 x 1 5/8	1	
30	00393	HANDLE - Lower (180V Only)	1	
31	00315	HOUSING - Volute (inner)	1	
32	00321	SHROUD	1	
33	DA98138A	STRAP - Shoulder	1	
34	A00392	BAG - Leaf (180V Only)	1	
35	003631	TUBE - (outer) 180V Only	1	
36	A00813	KIT - Sealing	1	

HB180V Blower UT-08010 - Engine

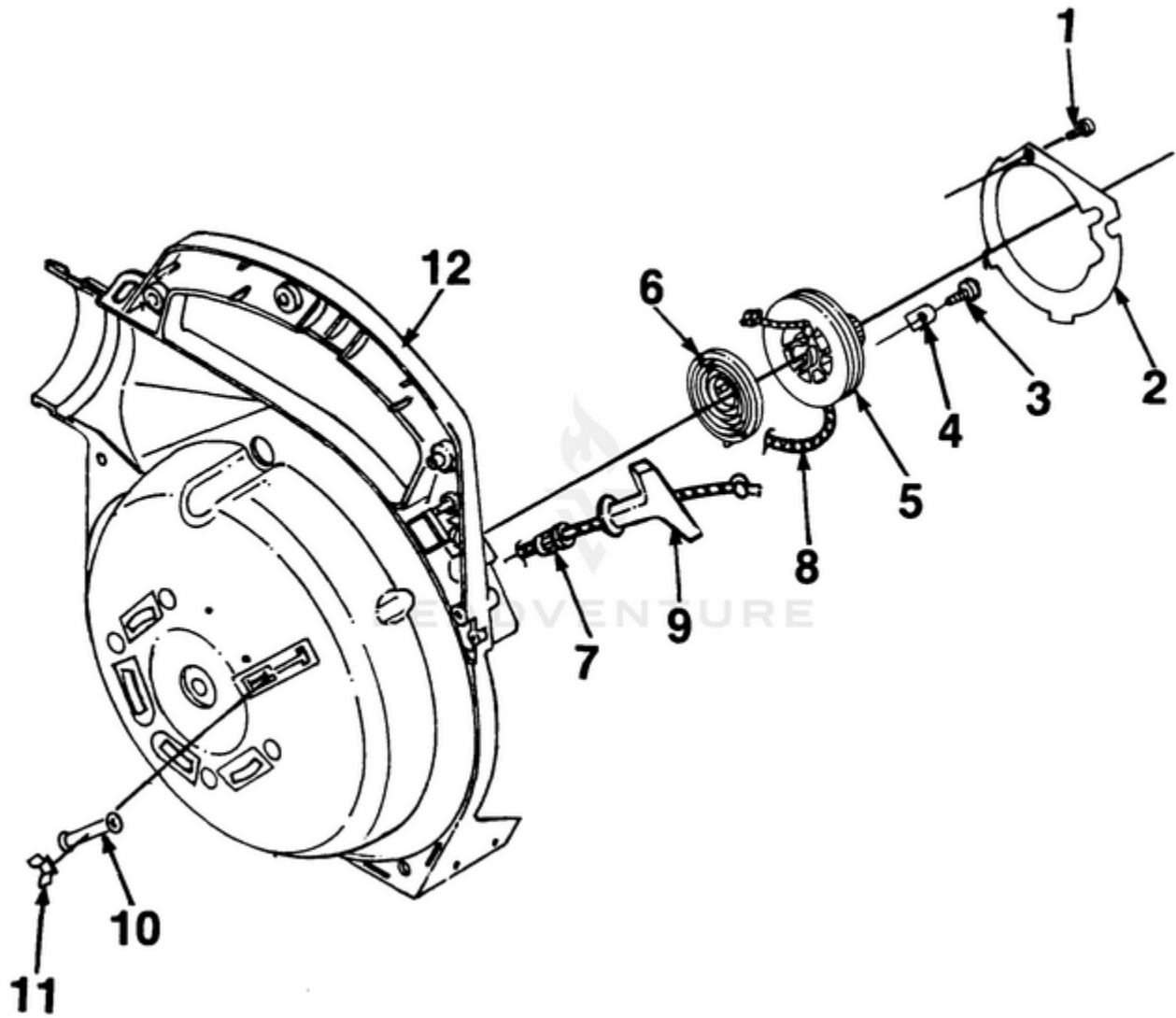


Rendered by LeadVenture, Inc.

Ref #	Part #	Description	Qty	Context Note
1	88060	SCREW - Sems Hex Hd. (10-24 x 2 1/2)	2	
2	A00366	COVER - Muffler	1	
3	00381	WASHER - Insulating	1	
4	84117	WASHER - Flat	1	
5	00387	SPRING - Compression	1	
6	00777	DEFLECTOR - Muffler	1	
7	98860	SPACER - Muffler	2	
8	00388A	SCREEN - Spark arrestor	1	
9	98783	PLATE - Reinforcing	1	
10	98781	BODY - Muffler	1	
11	00394	GASKET - Muffler	1	
12	A00108	CYLINDER	1	
13	96169S	SPARK PLUG	1	
14	00775	GASKET - Heat dam	1	
15	98768	HEAT DAM	1	
16	82510	SCREW (T-25 Torx)	2	
17	98766	GASKET - Carburetor	1	
18	A00378	CARBURETOR (WT-80) Walbro	1	
	A00382	CARBURETOR (CIU-H11) Zama	1	
19	A00110	BOX - Air filter	1	
20	98942	DECAL - Choke/Run	1	
21	82507	SCREW - Thread Forming	2	
22	98760	AIR FILTER	1	
23	98761	COVER - Air filter	1	
24	82368	SCREW - Thread forming 8-16 x 3/4	2	
25	98754A	COVER - Crankcase	1	
26	98752	CLAMP	1	
27	82508	SCREW - Thd forming #10-24 x 3/4	8	
28	98764	GASKET - Cylinder	1	
29	98767	GASKET - Crankcase	1	
30	A00256	PISTON & ROD ASSEMBLY	1	(UT08007 & UT08008) (Includes #31)
	A00239	PISTON & ROD ASSEMBLY	1	(UT08009 & UT08010) (Includes #31)
31	96935	RING - Piston	1	
32	987584	CRANKSHAFT	1	(UT08007 & UT08008)
	987583	CRANKSHAFT	1	(UT08009 & UT08010)
33	69250	KEY - Woodruff	1	
34	A00107	CRANKCASE ASSEMBLY	1	(Includes #35 - 38)
35	98800	SEAL - Shaft	1	

Ref #	Part #	Description	Qty	Context Note
36	98797	BEARING - Ball	1	
37	98799	RING - Retaining	1	
38	98798	BEARING - Ball	1	
39	94711A	MODULE - Ignition	1	
40	82509	SCREW - Thd forming 8-32 x 1	2	
41	A95007	ROTOR & STARTER PAWL	1	(Includes #42)
42	A70285D	STARTER PAWL KIT	1	
43	00377	ADAPTER - Fan	1	
44	84065	WASHER - Flat 5/16	1	
45	98792	BUMPER - Rubber	3	
46	A00098A	TANK - Fuel	1	(Includes #47 & 48)
47	49422	FILTER - Fuel	1	
48	9477224	TUBING - Rubber	1	
49	A00099	FUEL CAP ASSEMBLY	1	(Includes #50 - 52)
50	98819	VALVE - Duck Bill	1	
51	98913	FILTER	1	
52	98805	GASKET - Fuel cap	1	
53	81208	NUT	2	

HB180V Blower UT-08010 - Starter



Rendered by LeadVenture, Inc.

Ref #	Part #	Description	Qty	Context Note
1	82528	SCREW - Thread Forming (#6-19 x 3/4 lg.)	1	
2	00374	PLATE - Rotor	1	
3	82511	SCREW - Thd forming 10 x 1/2	1	
4	98791	BRACKET - Retaining	1	
5	98770	PULLEY - Starter	1	
6	A98773	SPRING & CONTAINER	1	
7	A97796	BUSHING - Starter	1	
8	97899	ROPE - Starter 46"	1	
9	70211	GRIP - Starter rope	1	
10	00364	BUSHING - Starter rope	1	
11	00379	CLIP - Retainer	1	
12	00315	HOUSING - Volute (inner)	1	